



TAA-compliant products for government contracts

Eaton offers a wide selection of TAA-compliant products for government and military agencies and contractors.



Powering Business Worldwide



Eaton offers a large selection of products that comply with the federal Trade Agreements Act (TAA) for easy addition to government contracts such as General Services Administration (GSA) Schedule contracts.

By providing comprehensive solutions, Eaton allows you to focus on essential business activities instead of managing multiple vendors or complex integration processes.

Surge protectors

Protect devices from the harmful effects of surges, spikes and line noise.

- Options for USB charging ports
- Options for phone line protection
- Keyhole slots on bottom panel enable wall or desk mounting
- In-line video/data surge protectors also available



TLP606TAA

TLP606USBBTAA

TLP806TELTAA /
TLP808TELTAA

Model	Description
TLP606TAA	Protect It! 6-outlet surge protector, 6 ft. (1.8 m) cord, 790 joules
TLP606USBBTAA	Protect It! 6-outlet surge protector, 2 x USB charging ports (2.1A), 6 ft. (1.8 m) cord, 990 joules, black housing
TLP806TELTAA	Protect It! 8-outlet surge protector, tel/modem protection, 6 ft. (1.8 m) cord, 3150 joules
TLP808TELTAA	Protect It! 8-outlet surge protector, tel/modem protection, 8 ft. (2.4 m) cord, 3150 joules

Display mounts

Monitor risers

Elevate screens to optimize viewing and help reduce neck and eye strain.

- Easy to move and reposition
- Rubber feet help prevent sliding on smooth surfaces
- Models with drawers also hold office supplies
- Risers support up to 40 lb.



MR1612

MR1612D1

MR4011DTAA

WWSSC2414TAA

Model	Description
MR1612	Height-adjustable universal monitor riser, 15.6 x 11.3 in., black
MR1612D1	Height-adjustable universal monitor riser with storage drawer, 15.75 x 11.6 in., black
MR4011DTAA	Extra-wide dual-monitor riser with storage drawers, 39 x 11 in., black
WWSSC2414TAA	Desk-clamp monitor riser with storage drawer, 23.6 x 13.8 in., black

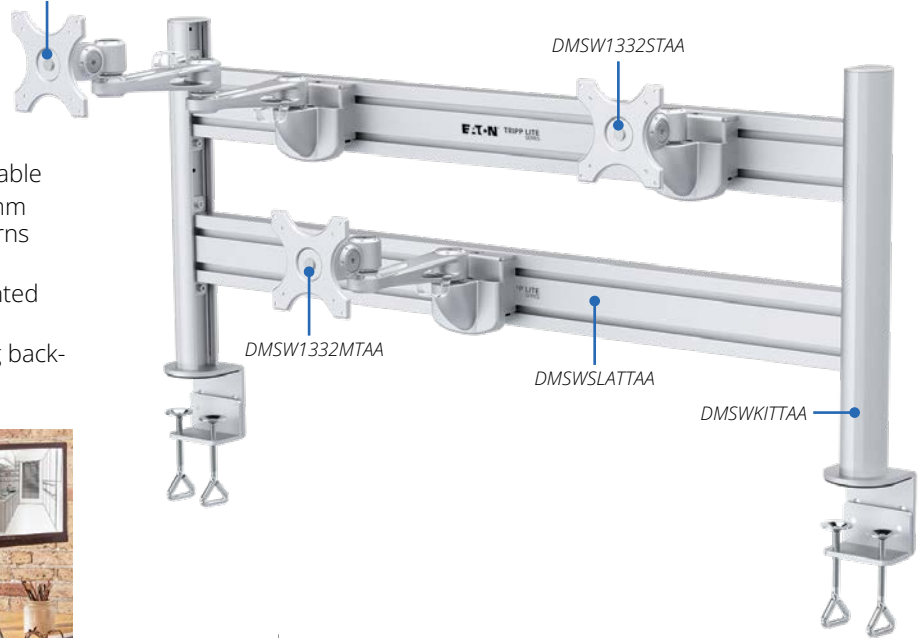
Display mounts

Slat wall system

Create a custom slat wall system to elevate monitors and give them full-motion adjustability. Start with the slat rail with posts and add one or more monitor mounts. For more capacity, add another slat rail.

- Installs on the edge of almost any desk or table
- Supports 13 to 32 in. displays with 75x75 mm or 100x100 mm VESA mounting hole patterns
- Mounts slide across the slat rail for custom placement; a locking screw prevents unwanted movement
- Slat rail has grooves on both sides, allowing back-to-back desks to share the same system

DMSW1332LTAA



Slat rail supports monitor mounts on both sides for use with back-to-back desks.

The monitor mounts tilt, swivel and rotate to optimize viewing angles and improve ergonomics.

Model	Description
DMSWKITTAA	Slat rail with posts for slat wall system, 40 in. (102 cm), supports up to 33 lb.
DMSWSLATTAA	Slat rail for slat wall system, 40 in. (102 cm), supports up to 33 lb.
DMSW1332STAA	Monitor mount for slat wall system, 13 to 32 in. displays, supports up to 22 lb.
DMSW1332MTAA	Single-extension monitor mount for slat wall system, 13 to 32 in. displays, supports up to 22 lb.
DMSW1332LTAA	Dual-extension monitor mount for slat wall system, 13 to 32 in. displays, supports up to 22 lb.

Mobile workstations

Rolling workstations make it easy to move laptops, printers, surge protectors, UPS systems and other workstation essentials within a room or throughout a building.

- Locking 4-inch swivel casters enable smooth rolling and secure the workstation at rest
- Ivory color fits seamlessly in healthcare settings or offices with light-colored décor
- Model with monitor arm supports displays up to 24 inches



WWSS1DWSTAA



WWSSRSTAA



WWSS2DWSTAA

Model	Description
WWSS1DWSTAA	Mobile workstation with monitor arm, locking drawer, locking casters, supports up to 15.4 lb.
WWSSRSTAA	Mobile workstation with adjustable shelves, locking casters, supports up to 44 lb.
WWSS2DWSTAA	Mobile workstation with adjustable shelves, 2 metal drawers, locking casters, supports up to 45 lb.

Desktop clamp for laptop and monitor

Elevate a laptop and monitor to increase available space on a desk or other work surface.

- Clamps to the edge of a desk or table
- Laptop tray is vented to help keep laptops up to 15 inches cool
- Monitor mount adjusts independently to optimize viewing angles



DDR1732NBMTAA

Model	Description
DDR1732NBMTAA	Full-motion desktop clamp for laptop and 17 to 32 in. monitor, aluminum, supports up to 12 lb.

3-tray document holder with desktop clamp

Organize documents and free up valuable space in workstations.

- Clamps to the edge of a desk or table
- Holds documents up to 8.5 x 11 in.
- Trays swivel independently and support up to 5 lb. each



DDR811TRAYTAA

Model	Description
DDR811TRAYTAA	3-tray document holder with desktop clamp

Your single source for TAA-compliant solutions



Eaton offers a complete line of power and connectivity solutions that are TAA compliant for easy addition to GSA Schedules and other government contracts.

Single- and 3-phase UPS systems



Provide reliable battery backup and strong protection against abnormal voltages, power surges and line noise.

- Standby, line-interactive and double-conversion topologies
- Models with extended runtime capability
- Models with network card or network card option for remote management

Rack PDUs

Reliably distribute power to rack-mount IT equipment.

- Single-phase and 3-phase PDUs in horizontal and vertical form factors
- Options include LX interface and automatic transfer switch (ATS)



KVM switches

Access and control multiple computers/servers from a single console (keyboard, mouse and monitor).



- Desktop or 1U rack-mount form factor with options for built-in LCD console, IP remote access and multiuser capability
- Secure desktop KVM switches with NIAP (National Information Assurance Partnership) certification

Console servers

Provide in-band and out-of-band remote access to serial and network devices.

- Up to 48 RJ45 ports in 1U
- Options for expandable memory with an SD card



Rack enclosures

House and organize rack-mount equipment with Eaton Paramount enclosures.

- Floor-standing enclosures up to 51U
- Airflow management and cable management options

Isolation transformers

Provide complete line isolation and line noise filtering to protect sensitive equipment.



- Available with capacities up to 1800W
- Medical-grade models with hospital-grade plug and outlets

DC power supplies

Efficiently convert AC power to precise DC power for sensitive equipment.



- Models up to 60 amps
- Overvoltage and overcurrent protection

Pro AV solutions

Connect video sources to displays in home theaters and digital signage applications.

- Cables, adapters, couplers, extenders, splitters, switches and in-line surge protectors
- Faceplates and boxes



Copper and fiber networking solutions

Connect data center equipment and infrastructure.

- Cables, patch panels, couplers, keystone jacks and plugs
- Media converters, industrial network switches and industrial PoE injectors



USB solutions

Enhance the functionality of a laptop or desktop computer.

- Hubs, cables, adapters, couplers and extenders
- USB-C solutions for the latest devices



To learn more about Eaton's full line of TAA-compliant products, visit our government solutions hub.



Eaton
1000 Eaton Boulevard
Cleveland, OH 44122
United States
Eaton.com

© 2025 Eaton
All Rights Reserved
Printed in USA
BR153216EN / 24-08-090
February 2025

Eaton is a registered trademark.

All other trademarks are property of their respective owners.

Follow us on social media to get the latest product and support information.

