

# Eaton Green Motion EV wall charger

Eaton Green Motion EV charger combines fast AC charging at 7.7 kW, revenue-grade metering, and remote access, powered by smart breakers. This forward-thinking solution provides additional versatility with multiple installation options including single and dual pedestal mounts for maximum flexibility. Monitor and control charging with our mobile app and open APIs.



## Speed and control

- Fast AC charging at 7.7 kW, 240 Vac
- Revenue-grade metering accuracy ( $\pm 0.2\%$  per ANSI C12.20).
- Real-time and remote access allows you to optimize charging times and take part in smart grid programs.



## Stay connected and customize

- Set charging schedules to optimize costs, receive alerts and notifications with our mobile app.
- Powered by our Brightlayer platform enables integration with your preferred charge management solution.



## Energy savings and efficiency

- Simply control rate of charge to not incur higher costs during peak rate periods.
- Efficient and simple installation with wall and pedestal mount options.
- ENERGY STAR® certification ensures maximum energy efficiency and savings.



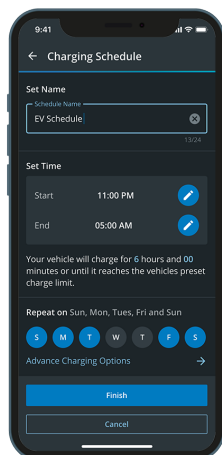
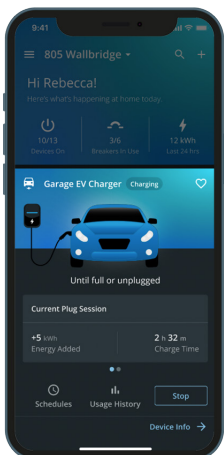
*Powering Business Worldwide*

# Technical Specification

<b>Input Electrical Ratings</b>	<ul style="list-style-type: none"><li>• Voltage: Single Phase, 208-240 Vac, 60 Hz</li><li>• Breaker rating: 40 A</li><li>• Power: 7.7 kW at 240 Vac; 6.6 kW at 208 Vac</li></ul>
<b>Output Electrical Ratings</b>	<ul style="list-style-type: none"><li>• Voltage: 208-240 Vac, 60 Hz</li><li>• Current: 32 A</li><li>• Power: 7.7 kW at 240 Vac; 6.6 kW at 208 Vac</li></ul>
<b>Wiring Options</b>	<ul style="list-style-type: none"><li>• 2ft Cable with NEMA 14-50 Plug</li><li>• Hardwire</li></ul>
<b>Output Cable</b>	<ul style="list-style-type: none"><li>• 25' Cable</li><li>• J1772 Compliant connector</li></ul>
<b>Metering</b>	<ul style="list-style-type: none"><li>• 0.2% accurate revenue grade metering tested to ANSI C12.20</li></ul>
<b>Operating temperature</b>	<ul style="list-style-type: none"><li>• -30°C to +40°C</li></ul>
<b>LED Indicator</b>	<ul style="list-style-type: none"><li>• RGB (Red, Green, Blue) LEDs to indicate charger status and fault condition on both the wall charger and the EV connector</li></ul>
<b>Wireless Connectivity</b>	<ul style="list-style-type: none"><li>• IEEE 802.11 b/g/n 2.4 GHz Wi-Fi</li></ul>
<b>Cybersecurity</b>	<ul style="list-style-type: none"><li>• Tested per cybersecurity guidelines endorsed by UL and IEC</li></ul>
<b>Firmware Features</b>	<ul style="list-style-type: none"><li>• Open platform with support for OCPP (Open Charge Point Protocol) 1.6J</li><li>• 4MB of local data storage to limit the possibility of data loss</li><li>• Over-the-air (OTA) firmware updates</li></ul>
<b>Enclosure</b>	<ul style="list-style-type: none"><li>• NEMA 3R rated enclosure for indoor and outdoor installation</li><li>• Dimensions: 10.78" x 15.11" x 4.42" (W x H x D)</li></ul>
<b>Weight</b>	<ul style="list-style-type: none"><li>• Charger Enclosure Plus Cable:13.5 lbs.</li></ul>
<b>Certifications</b>	<ul style="list-style-type: none"><li>• Safety: UL, CSA, NFPA Article 625</li><li>• SAE J1772 2010 Ed.</li><li>• FCC Compliant, Part 15</li><li>• Energy Star®</li><li>• ANSI C12.20</li></ul>
<b>Warranty</b>	<ul style="list-style-type: none"><li>• 3 years</li></ul>

## Get started by downloading Eaton's Brightlayer Home app available on iOS and Google Play stores.

Save on energy costs and minimize CO2 impact with simple app control:



- Easily commission charger and connect to Wi-Fi
- Monitor and control charging status from anywhere
- Track energy usage with real-time statistics and insights
- Schedule charging based on Time of Use rates (TOU) to reduce costs
- Receive notifications on charging status, power outage, and ground fault
- Advanced options to limit the charge speed (6 A minimum)
- Manage multiple chargers and cap a charging session



# EV wall charger & pedestal options

## CATALOG & DESCRIPTION

### GMEV32BR-WC

- 7.7 kW EV smart breaker wall charger
- J1772 EV connector and 25-foot cord
- Mounting option: wall or pedestal

### GMEV32BR-WCPL

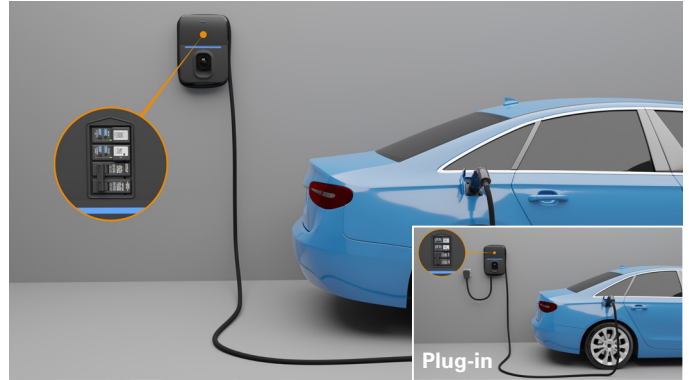
- 7.7 kW EV smart breaker wall charger with NEMA 14-50 plug
- J1772 EV connector and 25-foot cord
- Mounting option: on any wall/plug-in (240 V receptacle necessary)

### GMEV-PED\*

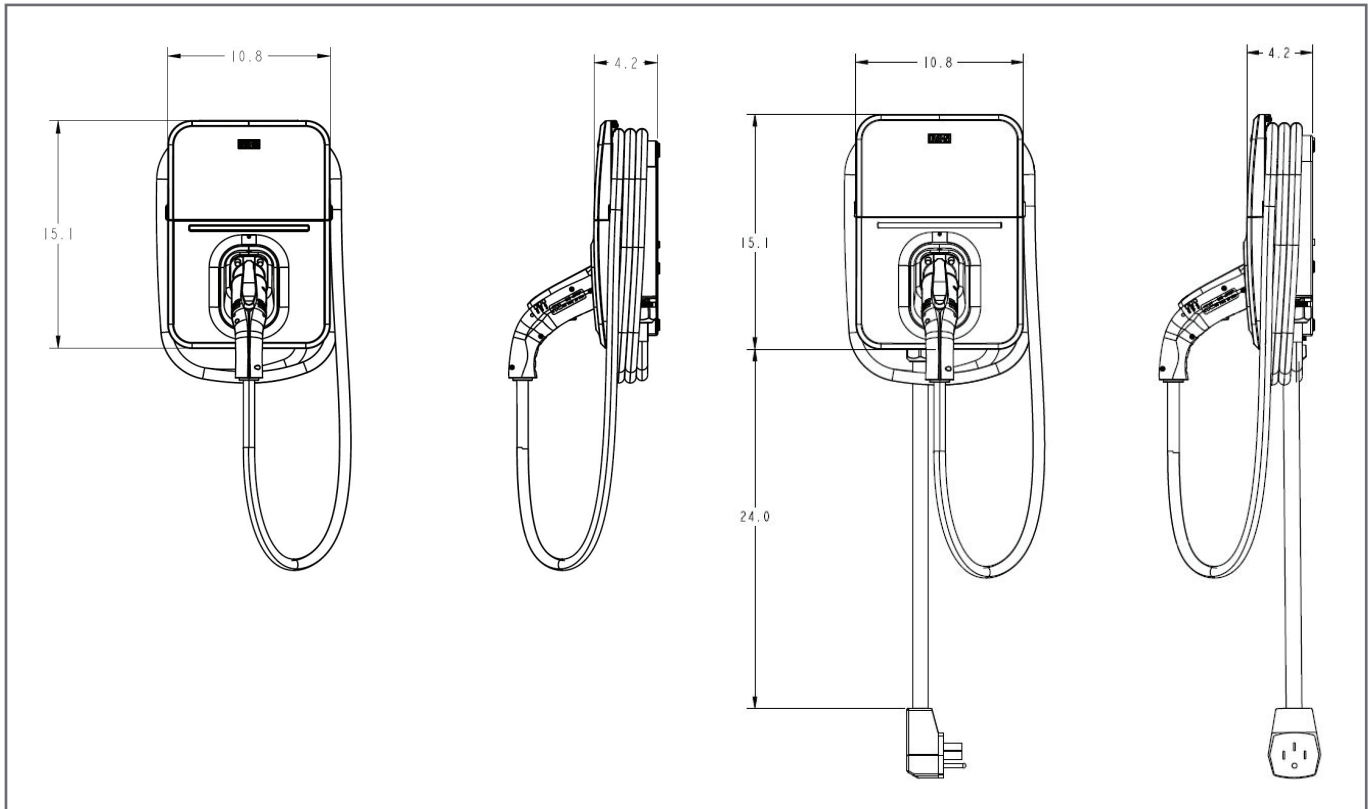
- EV single port pedestal
  - Requires (1) GMEV32BR-WC, sold separately
- \*Obsolete. Replacement is GMEV-DPED

### GMEV-DPED

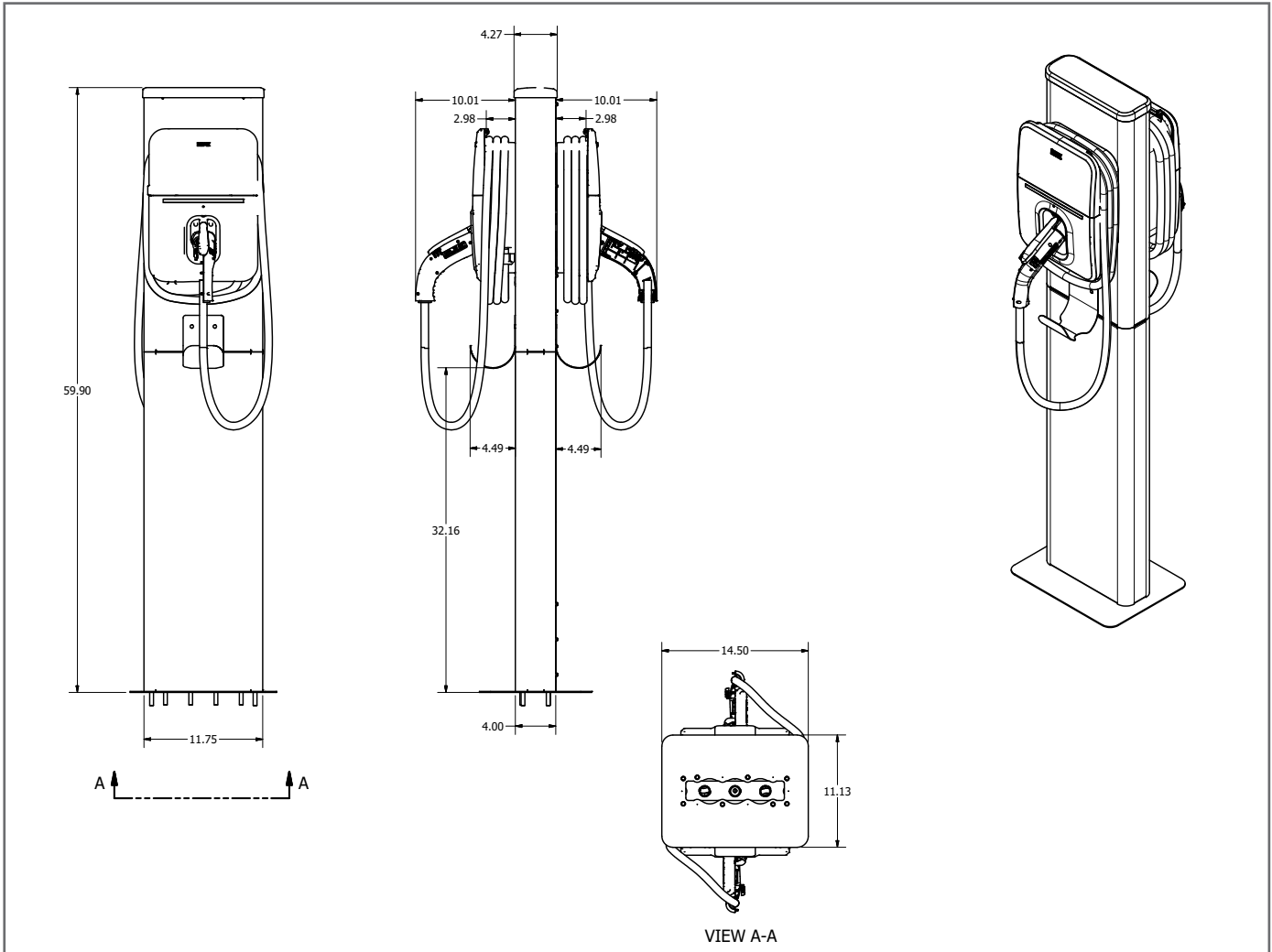
- EV dual port pedestal
- Requires (2) GMEV32BR-WC, sold separately



## Product dimensions



EV wall charger



EV wall charger with pedestal

Contact the Eaton Technical Resource Center at 1-877-ETN-CARE (386-2273) option 2, option 9 for further assistance.

**Eaton**  
 1123 Highway 74 S  
 Peachtree City, Georgia 30329  
 United States  
 Eaton.com  
 Eaton.com/ev-charging

© 2025 Eaton  
 All rights reserved  
 Printed in USA  
 Publication number: TD003015EN  
 (Rev. 03)  
 February 2025

Scan QR code for product information, documents and more



Eaton is a registered trademark.

All other trademarks are property of their respective owners.