

## Enclosures that offer superior water resistance—and peace of mind.

Eaton's **EnviroShield™** series slope top enclosures are designed to help protect electrical components in pharmaceutical, agricultural, food and beverage process, and other washdown applications.

### Construction

- Enclosure and hardware are constructed of corrosion-resistant, food-grade 304 stainless steel
- Features a 20 degree slope top design to direct water forward to an angled trough flange to support water runoff
- Top angle trough features 1.5 degree angle toward hinge side for easy draining of water and seals with FIP gasket against a straight top edge to reduce exposed door surface
- All continuous welded seams are finished smooth
- Hardware kit provided contains grounding hardware, .312-18 flanged hex nuts for panel mounting, and sealing washers for body mounting holes

### Body Construction

- Body flange trough design is formed around body opening to divert liquid contaminants away from door opening
- Enclosure mounting holes in body provided for direct mounting, optional stand-off kit, or optional mounting feet

### Door Construction

- Features lift off bullet hinges with door cutouts for cleaning access and to minimize contamination
- High quality stainless steel quarter-turn latches
- Doors are easily removed and interchangeable
- Seamless poured in-place gasket
- Door opens 140 degrees for easy access

### Standards

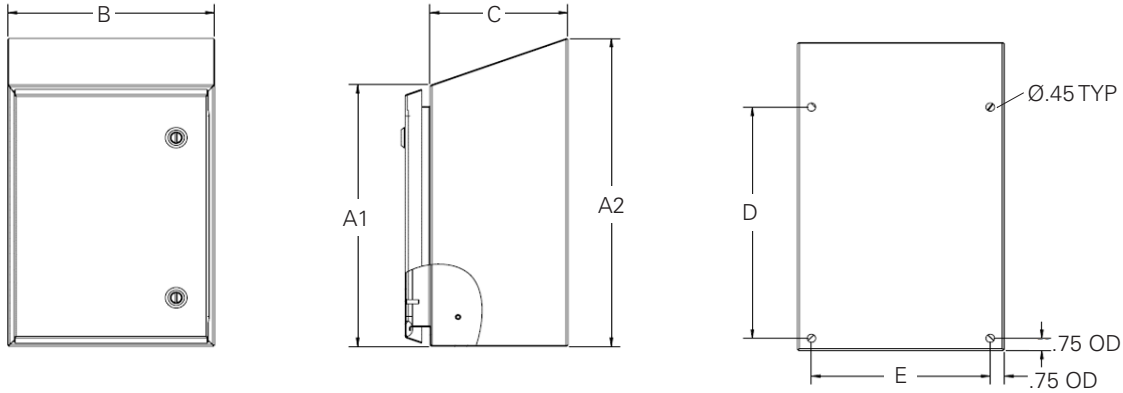
- UL 508A Listed, Type 4X, Type 4 and Type 12
- cUL Listed, Type 4X, Type 4 and Type 12
- Meets NSF 169 requirements
- Wall-mounting brackets required to maintain UL/CSA external mounting requirements



Powering Business Worldwide

[Eaton.com/ENC](http://Eaton.com/ENC)

## Ordering Information



Enclosure Catalog Number	Dimensions Height x Width x Depth A1 x A2 x B x C		Size door/ body gauge	Mounting Dimensions		Latch Qty.	Panel Catalog Number	Panel Size Dimensions	
	in.	mm		D x E (in.)	D x E (mm)			in.	mm
<b>ES-16128-4XS</b>	16.24 x 19.10 x 12.00 x 8.00	412 x 485 x 305 x 203	16 GA/16 GA	14.75 x 10.50	374 x 266	2	AW1612P	13.00 x 9.00	330 x 229
<b>ES-16168-4XS</b>	16.24 x 19.10 x 16.00 x 8.00	412 x 485 x 406 x 203	16 GA/16 GA	14.75 x 14.50	374 x 368	2	AW1616P	13.00 x 13.00	330 x 330
<b>ES-20168-4XS</b>	20.24 x 23.10 x 16.00 x 8.00	514 x 587 x 406 x 203	16 GA/16 GA	18.75 x 14.50	476 x 368	2	AW2016P	17.00 x 13.00	432 x 330
<b>ES-20208-4XS</b>	20.24 x 23.10 x 20.00 x 8.00	514 x 587 x 508 x 203	16 GA/16 GA	18.75 x 18.50	476 x 469	2	AW2020P	17.00 x 17.00	432 x 432
<b>ES-24208-4XS</b>	24.30 x 27.14 x 20.00 x 8.00	617 x 689 x 508 x 203	16 GA/14 GA	22.75 x 18.50	577 x 469	2	AW2420P	20.87 x 16.87	530 x 429
<b>ES-24248-4XS</b>	24.30 x 27.14 x 24.00 x 8.00	617 x 689 x 610 x 203	16 GA/14 GA	22.75 x 22.50	577 x 571	4	AW2424P	20.87 x 20.87	530 x 530
<b>ES-30248-4XS</b>	30.30 x 33.14 x 24.00 x 8.00	770 x 842 x 610 x 203	16 GA/14 GA	29.00 x 22.50	736 x 571	5	AW3024P	26.87 x 20.87	683 x 531
<b>ES-30308-4XS</b>	31.40 x 34.21 x 30.00 x 8.00	798 x 869 x 762 x 203	16 GA/12 GA	29.00 x 28.50	736 x 723	5	ES3030P	26.87 x 26.00	683 x 660
<b>ES-36308-4XS</b>	37.40 x 40.21 x 30.00 x 8.00	950 x 1021 x 762 x 203	14 GA/12 GA	35.75 x 28.50	908 x 723	5	ES3630P	32.87 x 26.00	835 x 660
<b>ES-201612-4XS</b>	20.28 x 24.60 x 16.00 x 12.00	515 x 625 x 406 x 305	16 GA/16 GA	18.75 x 14.50	476 x 368	2	AW2016P	17.00 x 13.00	432 x 330
<b>ES-202012-4XS</b>	20.28 x 24.60 x 20.00 x 12.00	515 x 625 x 508 x 305	16 GA/16 GA	18.75 x 18.50	476 x 469	2	AW2020P	17.00 x 17.00	432 x 432
<b>ES-242412-4XS</b>	24.34 x 28.64 x 24.00 x 12.00	618 x 727 x 610 x 305	16 GA/14 GA	23.75 x 22.50	603 x 571	4	AW2424P	20.87 x 20.87	530 x 530
<b>ES-302412-4XS</b>	30.34 x 34.64 x 24.00 x 12.00	771 x 880 x 610 x 305	16 GA/14 GA	29.00 x 22.50	736 x 571	5	AW3024P	26.87 x 20.87	683 x 530
<b>ES-363012-4XS</b>	37.45 x 41.71 x 30.00 x 12.00	951 x 1059 x 762 x 305	14 GA/12 GA	35.75 x 28.50	908 x 723	5	ES3630P	32.87 x 26.00	835 x 660
<b>ES-363612-4XS</b>	37.55 x 41.81 x 36.00 x 12.00	954 x 1062 x 914 x 305	14 GA/12 GA	35.75 x 34.50	908 x 876	5	ES3636P	32.87 x 32.00	835 x 813
<b>ES-603612-4XS</b>	61.18 x 65.44 x 36.00 x 12.00	1554 x 1662 x 914 x 305	14 GA/12 GA	60.00 x 34.50	1524 x 876	5	ES6036P	56.87 x 32.00	1445 x 813
<b>ES-363016-4XS</b>	37.39 x 43.11 x 30.00 x 16.00	950 x 1095 x 762 x 406	14 GA/12 GA	36.00 x 28.50	914 x 723	5	ES3630P	32.87 x 26.00	835 x 660
<b>ES-483616-4XS</b>	49.59 x 55.31 x 36.00 x 16.00	1260 x 1405 x 914 x 406	14 GA/12 GA	48.00 x 34.50	1219 x 876	5	ES4836P	44.87 x 32.00	1140 x 813

## Accessories



Standoff Spacer Kit



Padlock Handle Kit



Wing Knob Handle Kit

Catalog Number	Description	For use with:
<b>ES-S01</b>	Standoff Spacer Kit	All slope top enclosures
<b>ES-S02</b>	Standoff Spacer Kit	All slope top enclosures
<b>ES-S04</b>	Standoff Spacer Kit	All slope top enclosures
<b>ES-S06</b>	Standoff Spacer Kit	All slope top enclosures
<b>ES-PLHSS</b>	Padlock Handle Kit	All slope top enclosures
<b>ES-PLSS</b>	Wing Knob Handle Kit	All slope top enclosures
<b>ES3630P</b>	Accessory - Panel	Specific sized slope top enclosures
<b>ES3636P</b>	Accessory - Panel	Specific sized slope top enclosures
<b>ES6036P</b>	Accessory - Panel	Specific sized slope top enclosures
<b>ES4836P</b>	Accessory - Panel	Specific sized slope top enclosures
<b>ES3030P</b>	Accessory - Panel	Specific sized slope top enclosures

**Eaton**  
1000 Eaton Boulevard  
Cleveland, OH 44122  
United States  
Eaton.com

© 2025 Eaton  
All Rights Reserved  
Printed in USA  
Publication No. BR304005EN  
February 2025

B-Line Division  
509 West Monroe Street  
Highland, IL 62249  
United States  
Phone: 800-851-7415  
Eaton.com/enc

Eaton is a registered trademark.  
All other trademarks are property  
of their respective owners.

[Eaton.com/ENC](https://www.eaton.com/ENC)

Follow us on social media to get the  
latest product and support information.

