

Champ FMVA LED floodlights

20,000 to 50,000 lumens

Cl. I, Div. 2, Groups A, B, C, D
Cl. I, Zone 2
Cl. II, Div. 1, Groups E, F, G

UL Listed
CSA Certified
Type 4X; IP66

5L

The Champ FMVA LED family

39% lighter than the previous design with a small footprint

Champ® FMVA high lumen LED floodlights are designed to provide full-spectrum, crisp, white light. Four versions of the FMVA are available, providing ideal solutions for a wide range of applications.

Model	Nominal lumens	Watts ^A	Equivalent MH luminaire	Typical energy savings / lifetime
FMVA20L	20,500	177	600W-750W	Up to 78% reduction in energy costs and 120,000 hours of continuous operation
FMVA25L	25,500	217	750W-1000W	
FMVA40L	40,500	340	1500W+	
FMVA50L	50,500	400		

Applications:

- Locations requiring continuous and consistent light levels in extreme ambient temperatures
- Areas requiring frequent on-and-off of lights
- Where extremely corrosive, wet, dusty, hot and/or cold conditions exist
- Oil and gas refineries, drilling rigs, petrochemical facilities, food and beverage facilities, platforms, loading docks, tunnels, outdoor wall and stanchion mounted general area lighting, and where flammable vapors, gases, ignitable dusts, fibers or flyings are present

Features:

- Rugged design – engineered to perform in ambient temperatures from -40°C to 55°C
- High efficiency – engineered to deliver 117 lumens per watt
- Full frame yoke – designed to utilize the SFA6 slipfitter and SWB6 wall mount bracket, making it ideal for retrofit or new installations^B
- Custom optics – standard 7x6 pattern provides maximum light distribution
- 5 year fixture warranty

Standard materials:

- Lamp housing and adapter – die cast aluminum with Corro-free epoxy powder coat
- Lens – heat- and impact-resistant glass (standard)
- Gaskets – silicone and neoprene
- External hardware – stainless steel



FMVA20L/FMVA25L



FMVA40L/FMVA50L

Certifications and compliances:

NEC model:

NEC/CEC:

- Class I, Division 2, Groups A, B, C, D
- Class I, Zone 2
- Class II, Division 1, Groups E, F, G
- Type 4X, IP66
- ABS

UL standards:

- UL844; UL1598; UL1598A; UL1850

CSA standard:

- CSA C22.2 No. 137

Fixture life:

- Rated life of 60,000 hours at 55°C operating ambient and 24/7 continuous operation for 365 days

Photometrics:

- Refer to www.eaton.com (under the Resources tab of each product family) for specific photometric IES files

^A UNV1 at 120 VAC.

^B SFA6 slipfitter and SWB6 wall mount bracket sold separately (20L/25L models only).

Champ FMVA LED floodlights

20,000 to 50,000 lumens

Cl. I, Div. 2, Groups A, B, C, D
Cl. I, Zone 2
Cl. II, Div. 1, Groups E, F, G

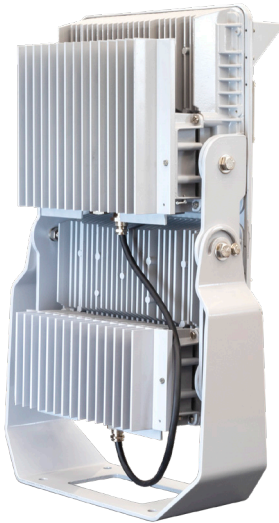
UL Listed
CSA Certified
Type 4X; IP66

5L



Smaller and lighter

- 25% smaller footprint than previous model
- 20 lbs. less weight than previous model



Full frame yoke

- Designed to utilize the SFA6 slipfitter and SWB6 wall mount bracket, making it ideal for retrofit or new installation (for 20L and 25L models)

Rugged heat sink

- Heat sink designed to perform and provide maximum light levels in high ambient temperatures up to +55°C and as low as -40°C
- Thick walled castings make for a tough, rugged housing that keeps the internal driver and LED temperature down



Versatile design

- Can be used for outdoor or indoor applications, and for a wide range of mounting heights depending on model and light level requirement

High lumen output

- Up to 120 lumens per watt
- Up to 78% energy savings over traditional HID fixtures (compared to 400W MH)

Multiple lens options

- Tempered clear glass lens standard
- Diffused glass lens optional



Champ FMVA LED floodlights

20,000 to 50,000 lumens

Cl. I, Div. 2, Groups A, B, C, D
Cl. I, Zone 2
Cl. II, Div. 1, Groups E, F, G

UL Listed
CSA Certified
Type 4X; IP66

5L

Electrical ratings:

Model	120-277 VAC at 50/60 Hz		347-480 VAC at 50/60 Hz	
	Input power	Input amps	Input power	Input amps
FMVA20L	177W	1.76A	177W	0.52A
FMVA25L	217W	2.18A	216W	0.63A
FMVA40L	340W	3.35A	337W	1.24A
FMVA50L	400W	4.14A	400W	1.54A

All models

Power factor >0.90

Temperature performance data:

Model	Ambient temp. °C	Class I, Division 2	Class II, Division 1	Simultaneous presence Cl. I, Div. 2; Cl. II, Div. 1	Min. supply wire temp. °C
/UNV1					
FMVA20L FMVA25L	+40	T4A	T3C	–	90
	+50	T4A	T3C	–	90
	+55	T4A	–	–	90
FMVA40L FMVA50L	+40	T4A	T4A	T4	90
	+50	T4A	T4	T3C	90
	+55	T4A	–	–	90

Model	Ambient temp. °C	Class I, Division 2	Class II, Division 1	Simultaneous presence Cl. I, Div. 2; Cl. II, Div. 1	Min. supply wire temp. °C
/UNV34					
FMVA20L FMVA25L	+40	T4A	T3C	–	90
	+50	T4A	T3C	–	90
	+55	T4A	T3C	–	90
FMVA40L FMVA50L	+40	T4A	T4A	T4	90
	+50	T4A	T4	T3C	90
	+55	T4A	T4	T3C	90



5L

Champ FMVA LED floodlights

20,000 to 50,000 lumens

Cl. I, Div. 2, Groups A, B, C, D
Cl. I, Zone 2
Cl. II, Div. 1, Groups E, F, G

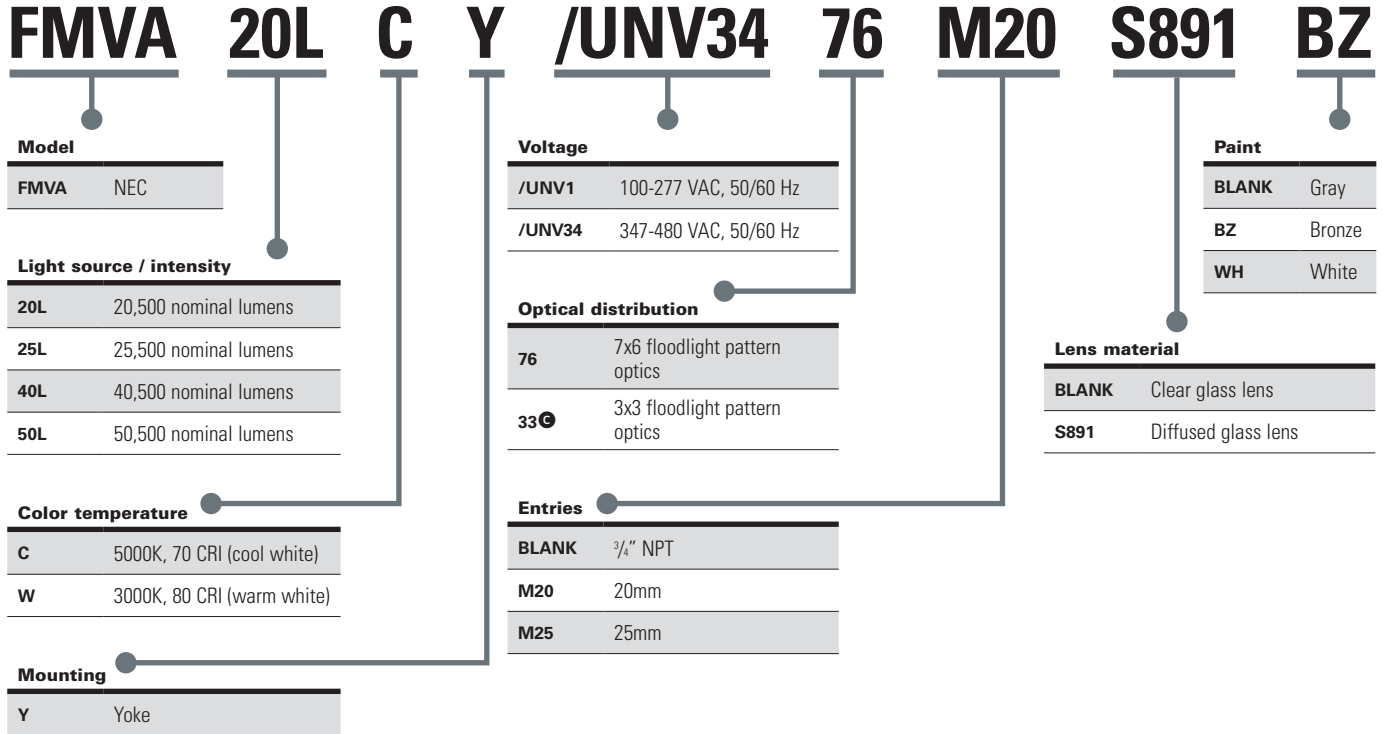
UL Listed
CSA Certified
Type 4X; IP66

5L

Ordering information:

Part number example

FMVA20LCY/UNV34 76 M20 S891 BZ



Accessories (ordered separately):

Description	Cat. #	Description	Cat. #
• Bull horn, 2 tenon, gray	BLHN2	• Bolt-on visor.....	DSV2
• Bull horn, 2 tenon, bronze	BLHN-BZ2	• Bolt-on wire guard	P62
• Bull horn, 2 tenon, white	BLHN-WH2	• Safety cable	SC831
• Bull horn, 3 tenon, gray	BLHN3	• Slipfitter	SFA6[Ⓞ]
• Bull horn, 3 tenon, bronze	BLHN-BZ3	• Slipfitter wall mount adapter	SWB6[Ⓞ]
• Bull horn, 3 tenon, white	BLHN-WH3		

Replacement driver kits (ordered separately)

PFMA 20L/25L UNV1 DRIVER KIT	UNV1 replacement driver kit for FMVA20L & FMVA25L models
PFMA 20L/25L UNV34 DRIVER KIT	UNV34 replacement driver kit for FMVA20L & FMVA25L models

^C40L and 50L models can use the 3x3 optic in Class I environments. Class II environments are not permitted.

^D20L and 25L models only.

Champ FMVA LED floodlights

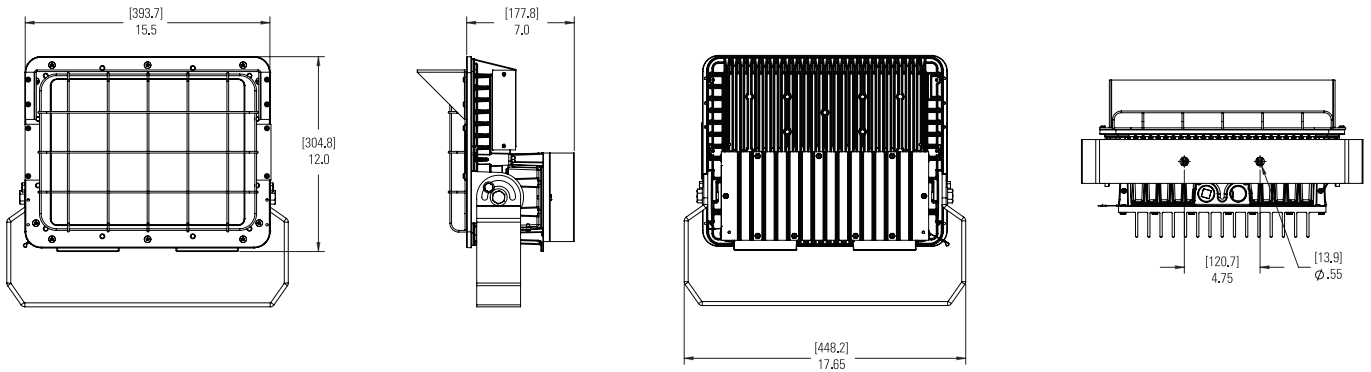
20,000 to 50,000 lumens

Cl. I, Div. 2, Groups A, B, C, D
Cl. I, Zone 2
Cl. II, Div. 1, Groups E, F, G

UL Listed
CSA Certified
Type 4X; IP66

5L

Dimensions and weights – FMVA20L/FMVA25L:

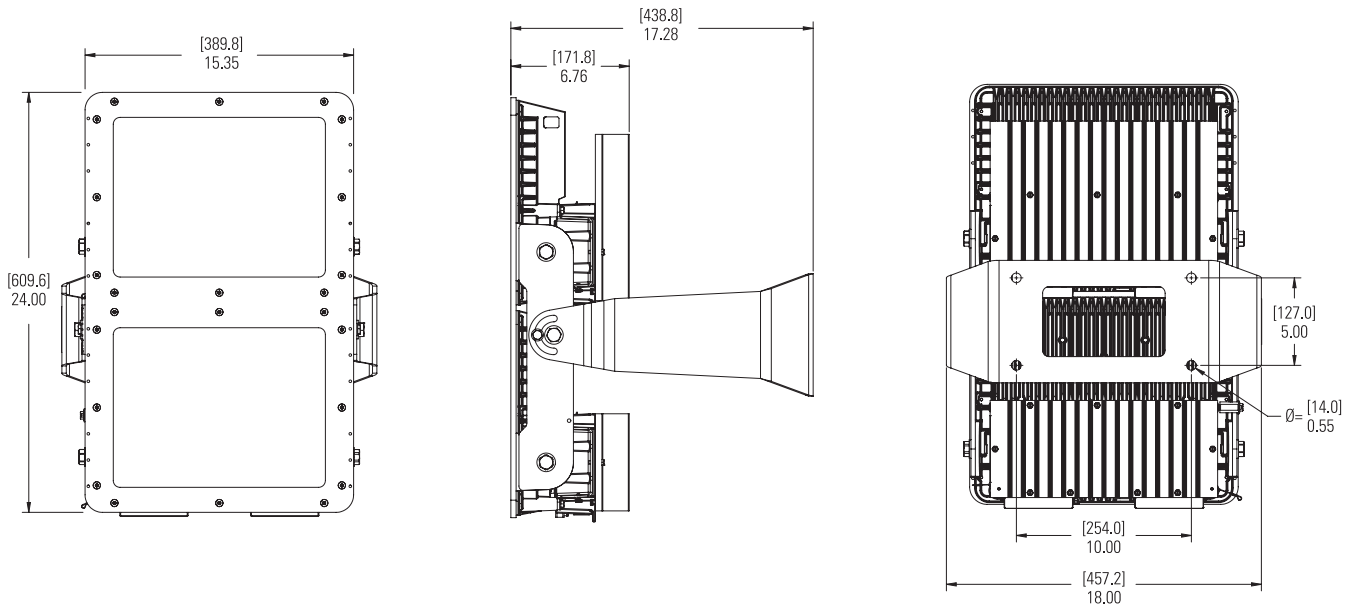


Model	Width		Height		Depth		Weight	
	in.	mm.	in.	mm.	in.	mm.	lb.	kg.
FMVA20L & 25L	15.50	393.70	12.00	304.80	7.00	177.80	34.00	15.40

Effective projected area

Position (tilt)	ft.-sq.
at 0°	1.50
at 45° backwards	1.10
at 60° forward	0.80

Dimensions – FMVA40L/FMVA50L:



Model	Width		Height		Depth		Weight	
	in.	mm.	in.	mm.	in.	mm.	lb.	kg.
FMVA40L & 50L	18.00	457.20	24.00	609.60	17.28	438.80	77.00	34.90

Effective projected area

Position (tilt)	ft.-sq.
at 0°	3.20
at 45° backwards	3.25
at 60° forward	3.62