

# Champ FMVA LED floodlights

9,000 to 15,000 lumens

Cl. I, Div. 2, Groups A, B, C, D  
Cl. II, Div. 2, Groups F, G

UL Listed  
Type 4X; IP67

5L

Our Champ® FMVA LED floodlight is a field-proven design that helps ensure safety, reliability and performance in harsh and hazardous rated areas. Champ products are engineered to deliver more operational value and better total cost of ownership.

## Applications:

- For general area illumination of locations with mounting heights from 15 to 30 feet
- Locations requiring continuous and consistent light levels where extremely corrosive, wet, dusty, hot and/or cold conditions exist
- IP67, Type 4X, marine, wet locations and hose down environments
- Oil and gas refineries, drilling rigs, petrochemical facilities, food and beverage facilities, platforms, loading docks, tunnels

## Certifications and compliances:

### NEC/CEC:

- Class I, Division 2, Groups A, B, C, D
- Class II, Groups F, G
- Marine and wet locations, Type 4X, IP67

### UL standards:

- UL844 – Hazardous (Classified); UL1598 – Luminaires; UL1598A – Marine; UL8750

### CSA standards:

- CSA C22.2 No. 137-M1981 – The Standard for Electric Luminaires for Use in Hazardous Locations
- CSA C22.2 No. 250 – The Standard for Luminaires

### FCC:

- FCC Part 15 / ICES-005 Ver. 5  
CAN ICES-005 (A) / NMB-005 (A)



## Standard materials:

- Lamp housing – die cast aluminum with Corro-free™ epoxy powder coat
- Lens – heat- and impact-resistant glass (standard); diffused glass or polycarbonate (optional)
- Gaskets – silicone
- External hardware – 316 stainless steel
- Factory sealed, no external seals required

## LED system:

- High intensity discrete power emitters
- Cool white (5000K, 70 CRI) (standard); deep warm (2200K, 70 CRI), warm white (3000K, 80 CRI) or neutral white (4000K, 80 CRI) (optional)
- Dimmable driver, 0-10V
- NEMA 7x6 or 4x4 optical patterns available
- Rated life of 60,000 hours continuous operation at 55°C operating ambient temperature
- 5 year fixture warranty



## Photometrics:

- Refer to [www.eaton.com](http://www.eaton.com) (under the Resources tab of each product family) for specific photometric IES files

## Electrical ratings:

Model	Weight Lbs. (Kg.)	Nominal lumens	Efficacy <sup>A</sup>	Wattage	Voltage	Amps	Power factor	THD	Surge protection
FMVA-9-UNV1	24.92 (11.30)	9,261	162 lm/W	58.12	100-277 VAC, 50/60 Hz	0.59 - 0.22	≥ 0.90	≤ 20%	6kV
FMVA-11-UNV1	24.92 (11.30)	11,602	158 lm/W	77.35	100-277 VAC, 50/60 Hz	0.79 - 0.28	≥ 0.90	≤ 20%	6kV
FMVA-13-UNV1	24.92 (11.30)	13,581	154 lm/W	89.60	100-277 VAC, 50/60 Hz	0.91 - 0.32	≥ 0.90	≤ 20%	6kV
FMVA-15-UNV1	24.92 (11.30)	15,845	154 lm/W	106.78	100-277 VAC, 50/60 Hz	1.07 - 0.38	≥ 0.90	≤ 20%	6kV
FMVA-9-UNV3	24.95 (11.32)	9,261	162 lm/W	58.34	347-480 VAC, 50/60 Hz	0.17 - 0.12	≥ 0.90	≤ 20%	6kV
FMVA-11-UNV3	24.95 (11.32)	11,602	158 lm/W	75.01	347-480 VAC, 50/60 Hz	0.22 - 0.16	≥ 0.90	≤ 20%	6kV
FMVA-13-UNV3	24.95 (11.32)	13,581	154 lm/W	90.38	347-480 VAC, 50/60 Hz	0.26 - 0.19	≥ 0.90	≤ 20%	6kV
FMVA-15-UNV3	24.95 (11.32)	15,845	154 lm/W	105.38	347-480 VAC, 50/60 Hz	0.30 - 0.22	≥ 0.90	≤ 20%	6kV

<sup>A</sup>Consult IES files for exact performance data.

# Champ FMVA LED floodlights

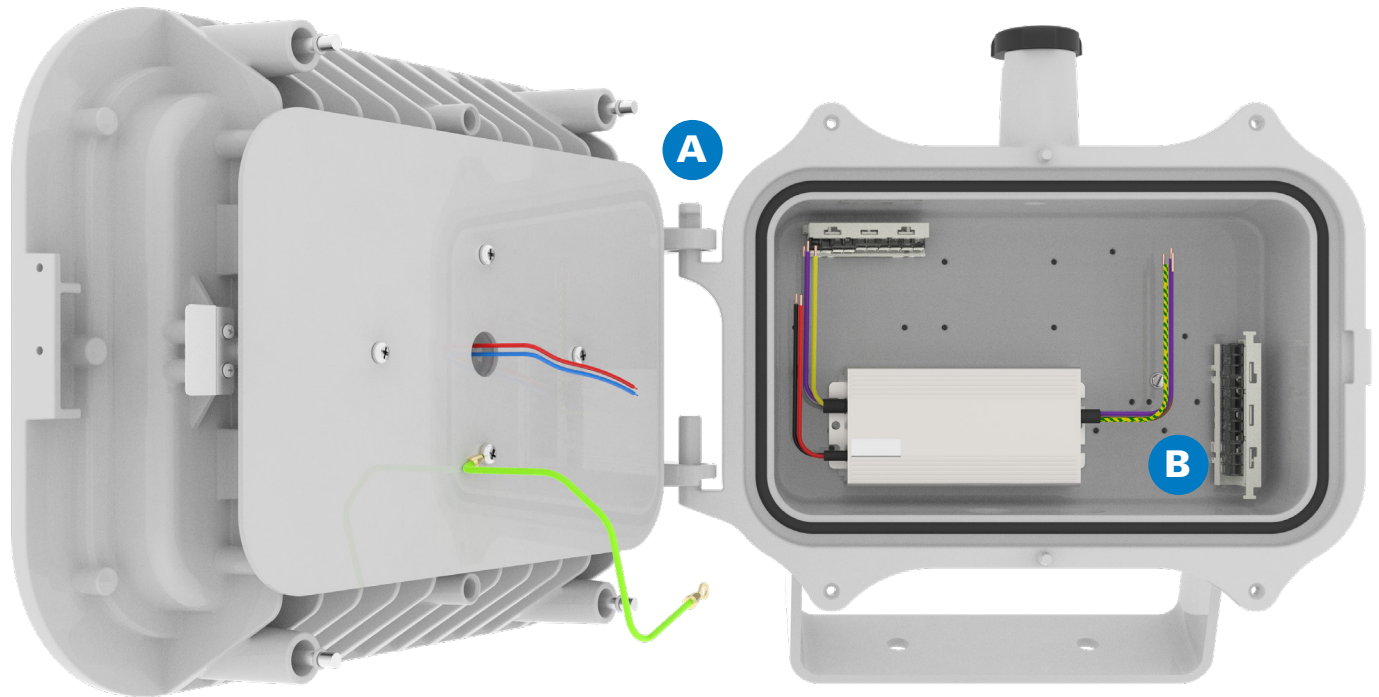
9,000 to 15,000 lumens

Cl. I, Div. 2, Groups A, B, C, D  
Cl. II, Div. 2, Groups F, G

UL Listed  
Type 4X; IP67

5L

## INSTALLATION EASE

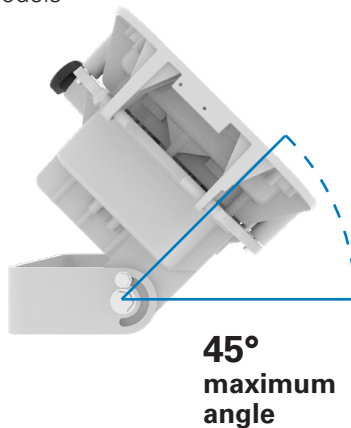
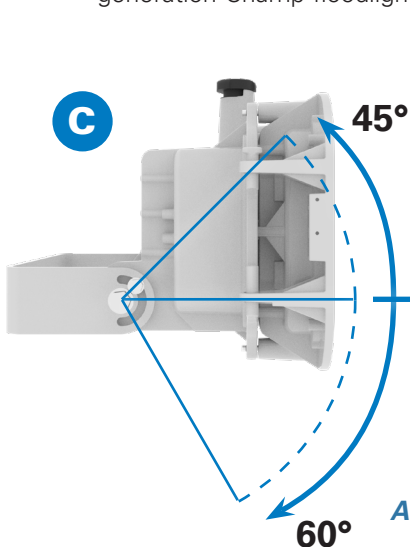
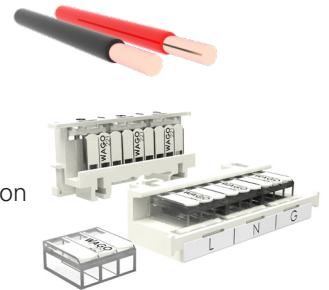


### A Lightweight & easy access

- Driver and LED engine are field replaceable for extended life even beyond the warranty
- Removable cover for LED engine and hinged driver compartment enables faster installation, access to wiring and field maintenance
- 22% weight reduction from previous generation Champ floodlight models

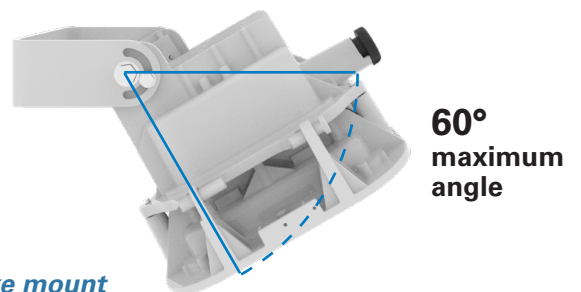
### B Now supports up to 10 AWG wire for easier, less costly retrofits!

- Customers with 10 AWG wire already running through their facility from older, higher power HID fixtures can reuse the same wiring
- Plug and play wiring helps speed installation



### C Versatile mounting options

- Yoke mount and accessories help ensure the fixtures are installed in the correct location to properly light your facility



All units come standard with a yoke mount

# Champ FMVA LED floodlights

9,000 to 15,000 lumens

Cl. I, Div. 2, Groups A, B, C, D  
Cl. II, Div. 2, Groups F, G

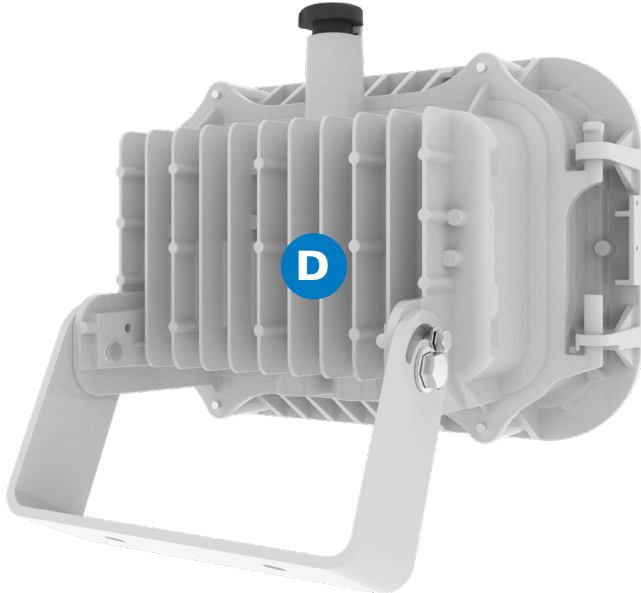
UL Listed  
Type 4X; IP67

5L

## RELIABLE PERFORMANCE

### D Thermal management

- Heat fins help ensure proper air flow and facilitate dust shedding for effective heat dissipation and thermal management of LED engine and driver



### E Performance in extreme environments

- Operating ambient: -40°C to 65°C
- Type 4X, IP67
- 6kV surge protection
- Corrosion-resistant aluminum housing with Corro-free epoxy powder coating
- Vibration tested in accordance with Section 33 of UL844
- Impact tested in accordance with IEC/EN/UL/CSA 60079-0 Section 26.4.2



## OPTIMIZED LIGHT & QUALITY

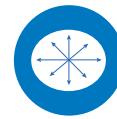
### F Custom optics & colors

- Directs light where you need it, helping eliminate gaps and dark spots
- Can potentially reduce the number of light fixtures required in your application
- 2200K (deep warm), 3000K (warm), 4000K (neutral) and 5000K (cool) color options available



#### NEMA 4x4

Narrow uniform pattern for use at larger distances



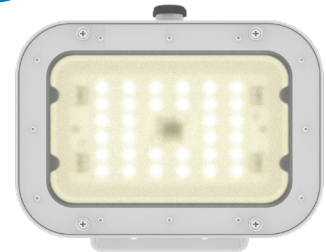
#### NEMA 7x6

Wide flood distribution provides a large and uniform light pattern



#### 5000K (cool)

Crisp, bright white with a blue hue



#### 3000K (warm)

Soft, warm white with a yellow hue

### G Multiple lens options

- Clear glass lens (standard)
- Diffused glass and clear polycarbonate lenses optional
- Corro-free epoxy powder coat available in gray



# Champ FMVA LED floodlights

9,000 to 15,000 lumens

Cl. I, Div. 2, Groups A, B, C, D  
Cl. II, Div. 2, Groups F, G

UL Listed  
Type 4X; IP67

5L

## Ordering information:

Part number example

FMVA-9-W-76-M20-DG-UNV1-M2

# FMVA - 9 - W - 76 - M20 - DG - UNV1 - M2

Light source / intensity	
9	9,261 nominal lumens
11	11,602 nominal lumens
13	13,581 nominal lumens
15	15,845 nominal lumens

Color temperature	
BLANK	5000K, 70 CRI (cool white)
N <sup>Ⓟ</sup>	4000K, 80 CRI (neutral white)
W	3000K, 80 CRI (warm white)
22 <sup>Ⓟ</sup>	2200K, 70 CRI (deep warm)

Beam pattern	
76	NEMA 7x6
44 <sup>Ⓟ</sup>	NEMA 4x4

Entries	
BLANK	3/4" NPT
M20	20mm
M25	25mm

Voltage	
UNV1	100-277 VAC, 50/60 Hz
UNV3	347-480 VAC, 50/60 Hz

Lens material	
BLANK	Clear glass lens
DG	Diffused glass lens
PC <sup>Ⓟ</sup>	Clear polycarbonate lens

Epoxy powder coat	
BLANK	Gray

## Accessories (ordered separately):

Description	Cat. #	Description	Cat. #
• Bull horn, 2 tenon, gray .....	BLHN2	• Safety cable .....	SC831
• Bull horn, 3 tenon, gray .....	BLHN3	• Floodlight slipfitter .....	SFA6
		• Slipfitter wall mount adapter .....	SWB6

### Replacement driver kits (ordered separately)

FMVA-9-UNV1-M2-DRIVER KIT	UNV1 M2 replacement driver kit for FMVA-9
FMVA-11-UNV1-M2-DRIVER KIT	UNV1 M2 replacement driver kit for FMVA-11
FMVA-13-UNV1-M2-DRIVER KIT	UNV1 M2 replacement driver kit for FMVA-13
FMVA-15-UNV1-M2-DRIVER KIT	UNV1 M2 replacement driver kit for FMVA-15
FMVA-9-UNV3-M2-DRIVER KIT	UNV3 M2 replacement driver kit for FMVA-9
FMVA-11-UNV3-M2-DRIVER KIT	UNV3 M2 replacement driver kit for FMVA-11
FMVA-13-UNV3-M2-DRIVER KIT	UNV3 M2 replacement driver kit for FMVA-13
FMVA-15-UNV3-M2-DRIVER KIT	UNV3 M2 replacement driver kit for FMVA-15



<sup>Ⓟ</sup>Contact factory for lead time.

# Champ FMVA LED floodlights

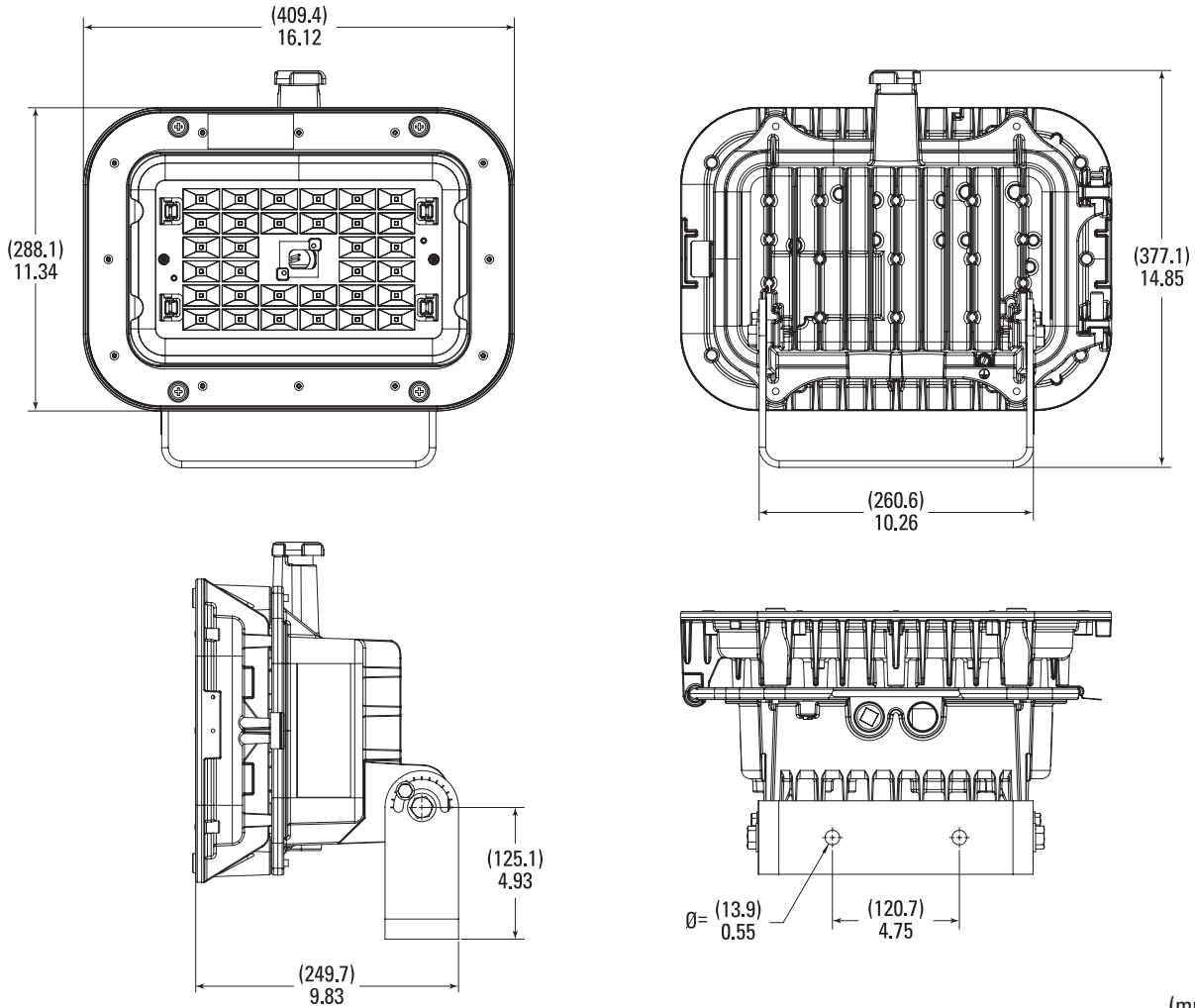
9,000 to 15,000 lumens

Cl. I, Div. 2, Groups A, B, C, D  
Cl. II, Div. 2, Groups F, G

UL Listed  
Type 4X; IP67

5L

## Dimensions – standard yoke mount:



(mm)  
All dimensions: inches

Mounting method	Angle range	Mounting surface
Yoke (standard)	+45° to -60°	Wall, ceiling, horizontal surface/ground

## Temperature performance data:

Model	Ambient temp. °C	Class I, Div. 2	Class II, Div. 2	Simultaneous rating	
				Class I, Div. 2; Class II, Div. 2	Minimum supply wire temp. °C
FMVA9L-FMVA11L (UNV1 and UNV3)	40°C	T5	T4	T2D	90
	55°C	T5	T4	T2D	90
	65°C	T5	T4	T2D	90
FMVA13L-FMVA15L (UNV1)	40°C	T5	T4	T2D	90
	55°C	T5	T4	T2D	90
	65°C	T4A	T3C	T2C	90
FMVA13L-FMVA15L (UNV3)	40°C	T4A	T4	T2D	90
	55°C	T4A	T4	T2D	90
	65°C	T4A	T3C	T2C	90