

XF26 HD IP series

Explosion proof, fixed camera station



Overview

The Oxalis XF26 is an explosion protected fixed camera housing for use in hazardous areas in onshore, offshore, marine and heavy industrial environments.

The camera housings are designed for longevity in harsh environments with minimal maintenance.

Features

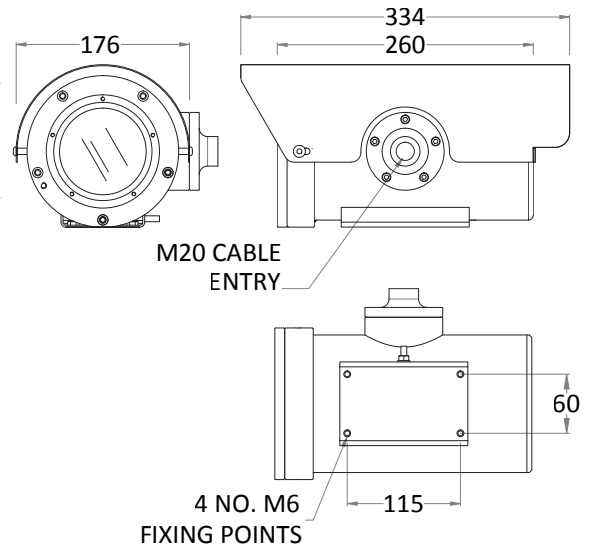
- ATEX and IECEx certified
 - Electro-polished 316L stainless steel on all welded assemblies
 - Pole or wall mounting options (see separate datasheets)
 - Supply voltage options 24 VAC, PoE or 24VDC
 - Operating temperature -60°C to +70°C*
 - IP66/67 (IP68)
- *Model dependent



Certifications

ATEX	II 2 G Ex db (op pr) IICT4 Gb -60°C to +70°C II 2 D Ex tb (op pr) IIIC T140°C Db IP6x On Request: T5 -60°C to +65°C, T6 -60°C to +40°C On request: T135 -60°C to +65°C Certificate: ITS16ATEX101021X	INMETRO	Ex db (op pr) IICT4 Gb -60°C to +70°C Ex tb (op pr) IIIC T140°C Db IP6x On Request: T5 -60°C to +65°C, T6 -60°C to +40°C On request: T135 -60°C to +65°C Certificate: ULBR 170063X
IECEX	Ex db (op pr) IICT4 Gb -60°C to +70°C Ex tb (op pr) IIIC T140°C Db IP6x On Request: T5 -60°C to +65°C, T6 -60°C to +40°C On request: T135 -60°C to +65°C Certificate: IECEX ITS 15.0068X	CCOE	Ex db (op pr) IICT4 Gb -60°C to +70°C Ex tb (op pr) IIIC T140°C Db IP6x On Request: T5 -60°C to +65°C, T6 -60°C to +40°C On request: T135 -60°C to +65°C Certificate: P529141

General arrangement drawing (all dimensions in mm)



Specifications

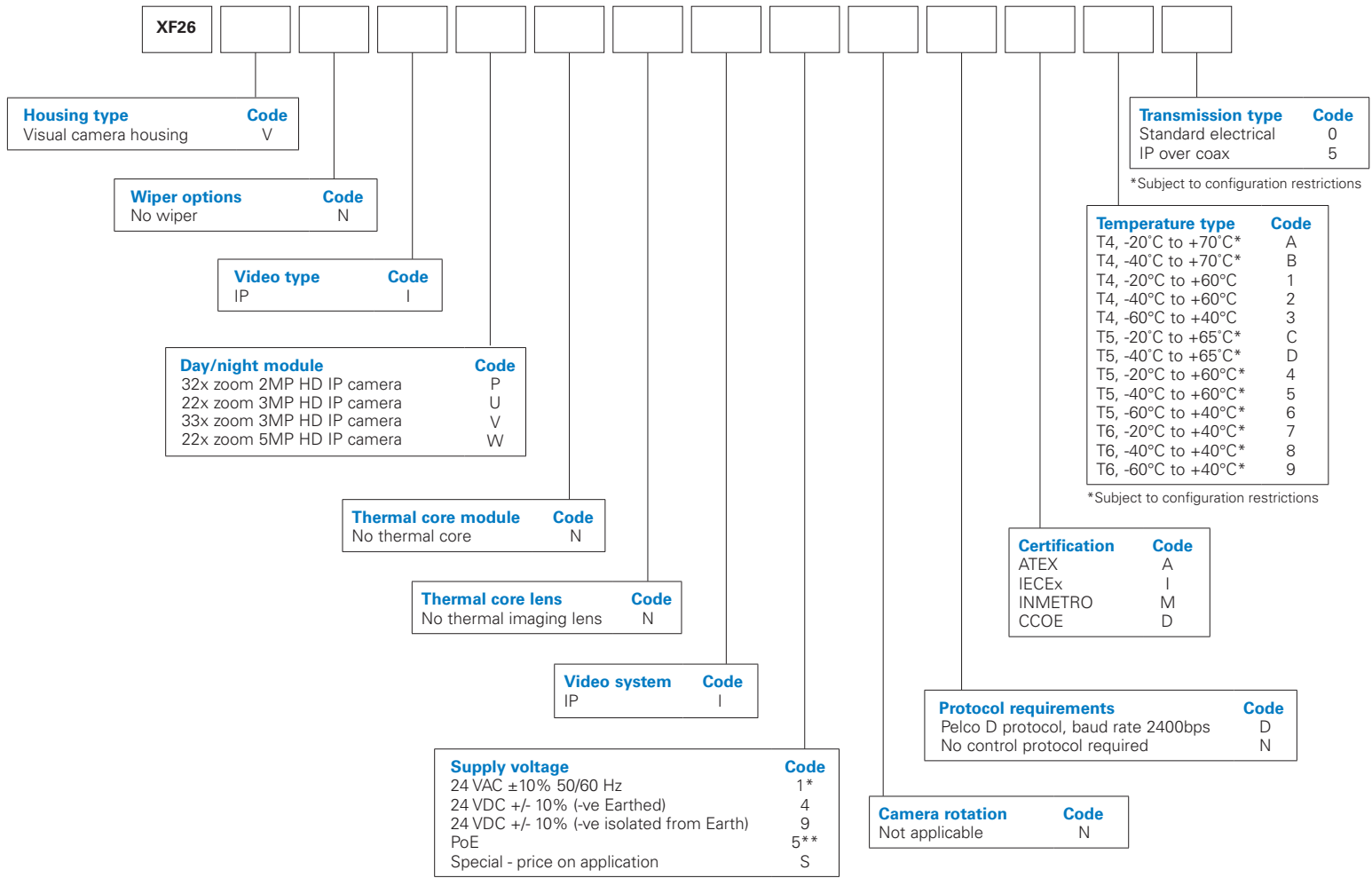
Features		Electrical	
Sun shield	Standard stainless steel 316L mirror finish	Supply voltage options	24 VAC
Integral wiper	No wiper	Power consumption	18W Maximum (45W with low temperature operation)
Integral demister	Standard	Electrical connections	Terminal block for power, data and video specific to camera configuration
Washer systems	No washer	Cable entry	One M20 side entry
IP over coax	Optional integrated IP Ethernet-over-coax converter subject to configuration restrictions (must be used with compatible Rx equipment)	Mechanical	
Type approval	DNVGL-CG-0339, 2016 (copper transmission only)	Body material	Electro-polished 316L stainless steel on all welded assemblies
Ingress protection rating	IP66/67, IP68 (1.5m for 24 hours)	Fixings material	A4 stainless steel
		Camera station window	Toughened glass
		Mounting options	Pole or wall (see separate datasheets)
		Operating temperature	From -60°C to +70°C (model dependent)
		Weight (Kg)	Up to 8Kg depending on configuration

Camera options

32x XNZ-6320 HP IP camera		22x zoom 3MP HD IP camera	
Image sensor	Progressive scan CMOS 1/2.8"	Image sensor	Progressive scan CMOS 1/2.8"
Resolution	Resolution: 1920x1080 @60fps to 320x240	Resolution	2304 x 1296 @ 30fps
Lens	32x optical 32x digital zoom 4.44-142.6 mm F1.6 to F4.4, horizontal angle of view 61.8° - 2.19°	Lens	22x optical zoom 5.2~114.4mm F1.5~F3.8, horizontal angle of view 53.74° - 2.96°
Min. illumination	Colour : 0.05Lux (1/30sec, F1.6, 50IRE), B/W : 0.005Lux (1/30sec, F1.6, 50IRE)	Min. illumination	Colour : 0.002Lux (F1.5, AGC ON), B/W 0.001Lux (F1.5, AGC ON)
Streaming	H.264, H.265 MJPEG dual codec, multiple streaming, VBR/CBR	Streaming	Triple streams in H.264, H.265
Features	Intelligent video analytics, motion detection, day & night (ICR), WDR (150dB), auto focus, auto Iris, AGC, SDDR, ATW, SSNR III, BLC, DIS, Defog	Features	AGC, AE,AWB,TDN,DNR,BLC,EIS,WDR,Defog,OSD,Day & Night Auto Colour/BW (IR-cut with auto switch)
Standards protocols	ONVIF Profile S, TCP/IP, UDP/IP, RTP(UDP), RTP(TCP), RTSP, RTSP, NTP, HTTP, HTTPS, SSL, DHCP, FTP, SMTP, ICMP, IGMP, SNMPv1/v2c/v3(MIB-2), ARP, DNS, DDNS, QoS, PIM-SM, UPnP, Bonjour	Standards protocols	ONVIF Profiles G, S & T, L2TP, IPv4, IGMP, ICMP, ARP, TCP, UDP, DHCP, PPPoE, RTP, RTSP, DNS, DDNS, NTP, FTP, UPnP, HTTP, SNMP, SIP
33x zoom 3MP HD IP camera		22x zoom 5MP HD IP camera	
Image Sensor	Progressive scan CMOS 1/2.8"	Image Sensor	Progressive scan CMOS 1/2.7"
Resolution	2304 x 1296 @ 60fps	Resolution	2880 x 1620 @ 30fps
Lens	33x optical zoom 4.5~148.5mm F1.5~F4.0, horizontal angle of view 62.93° - 3.67°	Lens	22x optical zoom 5.2~114.4mm F1.5~F3.8, horizontal angle of view 55.46° - 3.09°
Min. Illumination	Colour : 0.001Lux (F1.5, AGC ON), B/W 0.0005Lux (F1.5, AGC ON)	Min. Illumination	Colour : 0.003Lux (F1.5, AGC ON), B/W 0.001Lux (F1.5, AGC ON)
Streaming	Five streams in H.264, H.265	Streaming	Triple streams in H.264, H.265
Features	AGC, AE,AWB,TDN,DNR,BLC,EIS,WDR,Defog,OSD,Day & Night Auto Colour/BW (IR-cut with auto switch)	Features	AGC, AE,AWB,TDN,DNR,BLC,EIS,WDR,Defog,OSD,Day & Night Auto Colour/BW (IR-cut with auto switch)
Standards Protocols	ONVIF Profiles G, S & T, L2TP, IPv4, IGMP, ICMP, ARP, TCP, UDP, DHCP, PPPoE, RTP, RTSP, DNS, DDNS, NTP, FTP, UPnP, HTTP, SNMP, SIP	Standards Protocols	ONVIF Profiles G, S & T, L2TP, IPv4, IGMP, ICMP, ARP, TCP, UDP, DHCP, PPPoE, RTP, RTSP, DNS, DDNS, NTP, FTP, UPnP, HTTP, SNMP, SIP

Ordering requirements

The following code is designed to help in selection of the correct unit. Build up the reference number by inserting the code for each component into the appropriate box



*Not camera P
**Not cameras U, V, W