

XB12 21 joule xenon strobe range

Hazardous locations,
ordinary locations



Overview

These high output certified strobes have been designed for use in potentially explosive atmospheres and harsh environmental conditions.

The enclosures are suitable for use offshore or onshore, where lightweight combined with corrosion resistance is required.

The strobe housing is manufactured completely from a U.V. stable, glass reinforced polyester. Stainless steel screws and mounting bracket are incorporated ensuring a totally corrosion-free product.

Units can be painted to customer specification and supplied with identification labels.

European and other worldwide approvals are available.

Features

- UL listed for USA and Canada
 - Hazardous locations:
 - Class I, Div. 2, Groups C & D
 - Class I Zones 1 & 2, AExd IIB T4
 - Ordinary locations: visual-signal device
 - Marine listed
- CSFM approved
- ATEX approved
- Xenon
- High output (124,000 candelas)
- NEMA 4x and 6, IP66 & 67
- Certified temperature:
 - 67°F to +158°F
 - 55°C to +70°C
- 4 Wire monitored connection
- 24V d.c., 110 & 240V a.c
- Corrosion resistant GRP
- Optional stainless steel backstrap
- Various lens colours
- Optional lens guard
- Twin replaceable tubes



Certifications

UL Haz Locs	Cert. no. E187894
UL Ord Locs/Marine	Cert. no. S8128 visual signal device
UL certified for use in USA	Class I, Div. 2, Groups C & D Class I, Zone 1&2, AEx d IIB T4/T5

Specifications

Material	Body: glass reinforced polyester Lens: toughened glass Cover screws + backstrap: stainless steel 316
Finish	Natural black or painted to customer specification
Weight	15½ lb/7.0kg
Certified temp	-67°F to +158°F (-55°C to +70°C)
Ingress protection	NEMA 4x and 6, IP66 & 67
Terminals	6 off suitable for up to 10 AWG conductor size
Labels	Duty/tag label optional
Entries	2 x ½" NPT
Tube life	>1 x 10 ⁶ Flashes

Electrical ratings

	d.c.	a.c. 50/60Hz	
Voltage	24	110	240
XB12 tube energy (Joules)	21	21	21
Current (mA)	1400	350	185
Effective intensity (Cd)	355	355	355
Peak intensity (Cd)	123691	123691	123691
Power consumption (Watts)	33.6	38.5	44.4

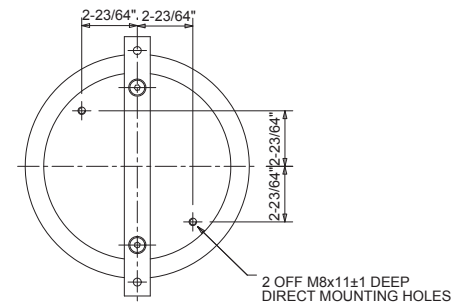
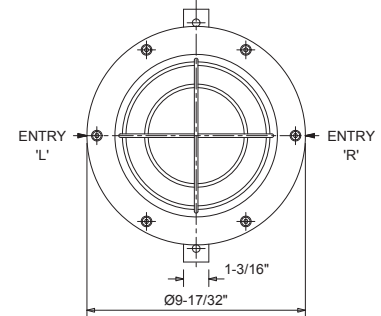
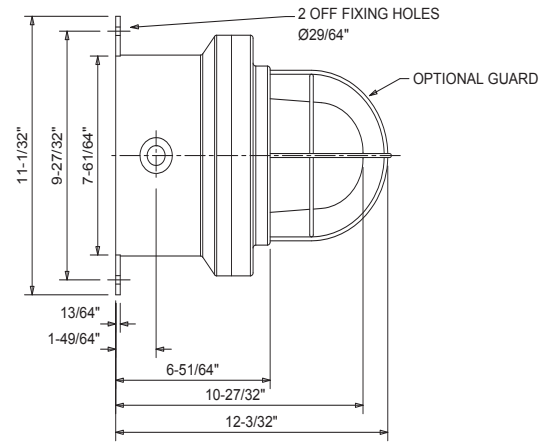
Note: The Cd figures are for a clear lens @ 1Hz flash rate

Multiplying factor for coloured lenses

Red	Blue	Amber	Green	Yellow
0.15	0.12	0.51	0.49	0.86

The photometric data has been verified by BSI. A report is available if required

General arrangement drawing (all dimensions in inches)



Ordering requirements

The following code is designed to help in selection of the correct unit. Build up the reference number by inserting the code for each component into the appropriate box

Model	Certification	Voltage	Flashrate	Lens colour	Lens guard	Fixings	Earth continuity	Tag/duty	Unit options	Finish																																																																														
XB12							N																																																																																	
	<table border="1"> <tr><th>Certification</th><th>Code</th></tr> <tr><td>UL</td><td>UL</td></tr> <tr><td>UL (ordinary locations)</td><td>UW</td></tr> <tr><td>UL Marine</td><td>UM</td></tr> </table>	Certification	Code	UL	UL	UL (ordinary locations)	UW	UL Marine	UM	<table border="1"> <tr><th>Voltage</th><th>Code</th></tr> <tr><td>24V d.c.</td><td>024</td></tr> <tr><td>110V a.c.</td><td>110</td></tr> <tr><td>240V a.c.</td><td>240</td></tr> </table>	Voltage	Code	24V d.c.	024	110V a.c.	110	240V a.c.	240	<table border="1"> <tr><th>Fpm</th><th>Code</th></tr> <tr><td>60/min</td><td>06</td></tr> </table> <p>Other flash rates available, please specify</p>	Fpm	Code	60/min	06	<table border="1"> <tr><th>Colour</th><th>Code</th></tr> <tr><td>Clear</td><td>C</td></tr> <tr><td>Red</td><td>R</td></tr> <tr><td>Blue</td><td>B</td></tr> <tr><td>Green</td><td>G</td></tr> <tr><td>Yellow</td><td>Y</td></tr> <tr><td>Amber</td><td>A</td></tr> </table>	Colour	Code	Clear	C	Red	R	Blue	B	Green	G	Yellow	Y	Amber	A	<table border="1"> <tr><th>Guard</th><th>Code</th></tr> <tr><td>None</td><td>N</td></tr> <tr><td>Yes</td><td>Y</td></tr> </table>	Guard	Code	None	N	Yes	Y	<table border="1"> <tr><th>Fixing</th><th>Code</th></tr> <tr><td>Direct mount without backstrap</td><td>D</td></tr> <tr><td>Direct mount with backstrap</td><td>B</td></tr> </table>	Fixing	Code	Direct mount without backstrap	D	Direct mount with backstrap	B	<table border="1"> <tr><th>Continuity</th><th>Code</th></tr> <tr><td>None</td><td>N</td></tr> </table>	Continuity	Code	None	N	<table border="1"> <tr><th>Option</th><th>Code</th></tr> <tr><td>None</td><td>N</td></tr> <tr><td>Blanking plug</td><td>P</td></tr> </table>	Option	Code	None	N	Blanking plug	P	<table border="1"> <tr><th>Label</th><th>Code</th></tr> <tr><td>None</td><td>N</td></tr> <tr><td>Yes</td><td>Y*</td></tr> </table> <p>*Please specify</p>	Label	Code	None	N	Yes	Y*	<table border="1"> <tr><th>Colour</th><th>Code</th></tr> <tr><td>Natural black</td><td>N</td></tr> <tr><td>Red</td><td>R</td></tr> <tr><td>Blue</td><td>B</td></tr> <tr><td>Yellow</td><td>Y</td></tr> <tr><td>Grey</td><td>G</td></tr> <tr><td>White</td><td>W</td></tr> <tr><td>Special</td><td>S*</td></tr> </table> <p>*Please specify</p>	Colour	Code	Natural black	N	Red	R	Blue	B	Yellow	Y	Grey	G	White	W	Special	S*
Certification	Code																																																																																							
UL	UL																																																																																							
UL (ordinary locations)	UW																																																																																							
UL Marine	UM																																																																																							
Voltage	Code																																																																																							
24V d.c.	024																																																																																							
110V a.c.	110																																																																																							
240V a.c.	240																																																																																							
Fpm	Code																																																																																							
60/min	06																																																																																							
Colour	Code																																																																																							
Clear	C																																																																																							
Red	R																																																																																							
Blue	B																																																																																							
Green	G																																																																																							
Yellow	Y																																																																																							
Amber	A																																																																																							
Guard	Code																																																																																							
None	N																																																																																							
Yes	Y																																																																																							
Fixing	Code																																																																																							
Direct mount without backstrap	D																																																																																							
Direct mount with backstrap	B																																																																																							
Continuity	Code																																																																																							
None	N																																																																																							
Option	Code																																																																																							
None	N																																																																																							
Blanking plug	P																																																																																							
Label	Code																																																																																							
None	N																																																																																							
Yes	Y*																																																																																							
Colour	Code																																																																																							
Natural black	N																																																																																							
Red	R																																																																																							
Blue	B																																																																																							
Yellow	Y																																																																																							
Grey	G																																																																																							
White	W																																																																																							
Special	S*																																																																																							