

XB15 5,10 & 15 joule xenon strobe range

Hazardous locations, ordinary locations



Overview

These certified strobes have been designed for use in potentially explosive atmospheres and harsh environmental conditions.

The enclosures are suitable for use offshore or onshore, where light weight combined with corrosion resistance is required.

The housings are manufactured completely from a U.V. stable, glass reinforced polyester. Stainless steel screws and mounting bracket are incorporated ensuring a totally corrosion-free product.

The model XB15 contains a supervisory diode and four wire lead connection for fire alarm applications.

Units can be painted to customer specification and supplied with identification labels.

European and other worldwide approvals are available.

Features

- UL certified for USA and Canada:
 - Hazardous locations:
 - Class I, Div. 2, Groups A, B, C & D
 - Class II, Div 2 Groups F & G
 - Class I, Zone 1, AExd IIC T4/T5/T6
 - Ordinary locations: Visual-Signal Device
 - Marine certified
- ULC certified to Canadian Safety Standard
- Conforms to ULC regulated power supplies
- CSFM approved
- ATEX approved
- SIL2 certified
- NEMA 4X & 6, IP66 & IP67
- Certified temperature:
 - 67°F to +158°F
 - 55°C to +70°C
- Pipe mount or direct mount enclosure
- Corrosion-free GRP
- 520,000 peak candlepower
- Four wires and supervisory diode
- Optional stainless steel backstrap
- Various lens colours
- Optional relay initiate
- Optional cast or wire lens guard
- Up to 3 x 3/4" NPT entries
- LED version available (LD15)
- Filament version available (FB15)
- Automatic synchronization option

Certifications

UL Haz Locs	Cert. no. E187894
UL Ord Locs/Marine	Cert. no. E187894. Visual signal device
ULC	Cert. no. E187894
UL certified	Class I, Div. 2, Groups A, B, C & D Class II, Div. 2, Groups F & G Class I, Zone 1, AEx d IIC T4/T5/T6
SIL	SIL2 certified to IEC61508. Cert number FSP 12004

Specifications

Material	Body: glass reinforced polyester Lens: borosilicate glass Backstrap: stainless steel 316 Wire guard (optional): stainless steel wire Cast guard (optional): aluminium LM25M
Finish	Natural black or painted to customer specification
Voltage	24, 48V d.c. - 110, 120, 230, 240V a.c
Tube energy	5,10 & 15 Joule
Tube life	>1 x 10 ⁶ flashes
Flash rate	60, 80, 120 fpm
Certified temp	15 Joule: -67°F to +158°F (-55°C to +70°C) T4 -67°F to +104°F (-55°C to +40°C) T5 10 Joule: -67°F to +158°F (-55°C to +70°C) T4 -67°F to +131°F (-55°C to +55°C) T5 -67°F to +104°F (-55°C to +40°C) T6 5 Joule: -67°F to +158°F (-55°C to +70°C) T5 -67°F to +131°F (-55°C to +55°C) T6
Weight	Pipe mount: 5½lb/2.6kg; direct mount: 6½lb/3.0kg
Ingress protection	NEMA 4X & 6, IP66 & IP67
Entries	Standard pipe: ¾" NPT Standard direct: 2 x ¾" NPT Optional direct: 1 x ½"/¾" NPT or 3 x ½"/¾" NPT Contact sales office to order optional entries
Terminals	Direct mount: 12 x 14AWG. Pipe mount: 8 x 14AWG
Relay initiate	Available on all versions – operates with 24V d.c. initiate supplies only
Labels	Tag/duty label option
Synchronization	Up to 6 beacons on a loop can synchronize without the need for an external controller. Beacons will need to be the same flashrate and need the A code in the options

Electrical ratings: UL/UW/UM versions

	d.c.		a.c. (60Hz*)			
	24	48	110	120	230	240
Nominal voltage @ 60fpm	24	48	110	120	230	240
Average current 5J (mA)	330	150	140	150	80	80
Average current 10J (mA)	650	320	230	250	120	130
Average current 15J (mA)	900	430	340	360	150	150

*For 50Hz please refer to worldwide datasheet

Typical light output:

	5J	10J	15J
Effective (Cd)	107	280	382
Peak (Cd)	173,000	342,000	520,000

Multiplying factor for coloured lenses:

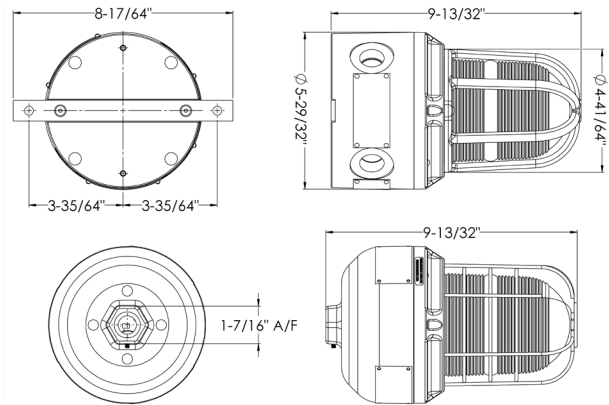
Red	Blue	Amber	Green	Yellow
0.12	0.11	0.29	0.22	0.74

Ordering requirements

The following code is designed to help in selection of the correct unit. Build up the reference number by inserting the code for each component into the appropriate box

Model	Certification	Voltage	Tube energy	Flashrate	Lens colour	Lens guard	Fixings	Options	Finish																																																																														
XB15																																																																																							
	<table border="1"> <tr><th>Certification</th><th>Code</th></tr> <tr><td>UL</td><td>UL</td></tr> <tr><td>UL (ordinary location)</td><td>UW</td></tr> <tr><td>UL Marine</td><td>UM*</td></tr> <tr><td>ULC</td><td>UC</td></tr> </table> <p>*UL Marine is only available in 15J To order ATEX approved version, see European data sheet</p>	Certification	Code	UL	UL	UL (ordinary location)	UW	UL Marine	UM*	ULC	UC	<table border="1"> <tr><th>Voltage</th><th>Code</th></tr> <tr><td>24V d.c.</td><td>024*</td></tr> <tr><td>48V d.c.</td><td>048</td></tr> <tr><td>110V a.c.</td><td>110</td></tr> <tr><td>120V a.c.</td><td>120*</td></tr> <tr><td>230V a.c.</td><td>230</td></tr> <tr><td>240V a.c.</td><td>240*</td></tr> </table> <p>* Also conforms to ULC regulated power supplies</p>	Voltage	Code	24V d.c.	024*	48V d.c.	048	110V a.c.	110	120V a.c.	120*	230V a.c.	230	240V a.c.	240*	<table border="1"> <tr><th>Flashrate</th><th>Code</th></tr> <tr><td>60/min</td><td>06</td></tr> <tr><td>80/min</td><td>08</td></tr> <tr><td>120/min</td><td>12</td></tr> </table>	Flashrate	Code	60/min	06	80/min	08	120/min	12	<table border="1"> <tr><th>Guard</th><th>Code</th></tr> <tr><td>None</td><td>N</td></tr> <tr><td>Cast</td><td>C*</td></tr> <tr><td>Wire</td><td>W</td></tr> </table> <p>*Not available for ULC</p>	Guard	Code	None	N	Cast	C*	Wire	W	<table border="1"> <tr><th>Option</th><th>Code</th></tr> <tr><td>None</td><td>N</td></tr> <tr><td>Tag label</td><td>T*</td></tr> <tr><td>Duty label</td><td>D*</td></tr> <tr><td>Relay initiate</td><td>R†</td></tr> <tr><td>Blanking plug</td><td>P</td></tr> <tr><td>Auto-sync</td><td>A‡</td></tr> <tr><td>EOL resistor</td><td>E*</td></tr> </table> <p>* Please specify * UL/ULC maximum of one label † Suitable for 24V d.c. initiate supplies only ‡ 24Vdc only</p>	Option	Code	None	N	Tag label	T*	Duty label	D*	Relay initiate	R†	Blanking plug	P	Auto-sync	A‡	EOL resistor	E*	<table border="1"> <tr><th>Fixings</th><th>Code</th></tr> <tr><td>Pipe mount</td><td>P*</td></tr> <tr><td>Direct mount without backstrap</td><td>D</td></tr> <tr><td>Direct mount with backstrap</td><td>B</td></tr> </table> <p>* Contact MEDC if ½" NPT is required</p>	Fixings	Code	Pipe mount	P*	Direct mount without backstrap	D	Direct mount with backstrap	B	<table border="1"> <tr><th>Finish</th><th>Code</th></tr> <tr><td>Natural black</td><td>N</td></tr> <tr><td>Red</td><td>R</td></tr> <tr><td>Blue</td><td>B</td></tr> <tr><td>Yellow</td><td>Y</td></tr> <tr><td>Green</td><td>G</td></tr> <tr><td>White</td><td>W</td></tr> <tr><td>Special</td><td>S*</td></tr> </table> <p>* Please specify</p>	Finish	Code	Natural black	N	Red	R	Blue	B	Yellow	Y	Green	G	White	W	Special	S*
Certification	Code																																																																																						
UL	UL																																																																																						
UL (ordinary location)	UW																																																																																						
UL Marine	UM*																																																																																						
ULC	UC																																																																																						
Voltage	Code																																																																																						
24V d.c.	024*																																																																																						
48V d.c.	048																																																																																						
110V a.c.	110																																																																																						
120V a.c.	120*																																																																																						
230V a.c.	230																																																																																						
240V a.c.	240*																																																																																						
Flashrate	Code																																																																																						
60/min	06																																																																																						
80/min	08																																																																																						
120/min	12																																																																																						
Guard	Code																																																																																						
None	N																																																																																						
Cast	C*																																																																																						
Wire	W																																																																																						
Option	Code																																																																																						
None	N																																																																																						
Tag label	T*																																																																																						
Duty label	D*																																																																																						
Relay initiate	R†																																																																																						
Blanking plug	P																																																																																						
Auto-sync	A‡																																																																																						
EOL resistor	E*																																																																																						
Fixings	Code																																																																																						
Pipe mount	P*																																																																																						
Direct mount without backstrap	D																																																																																						
Direct mount with backstrap	B																																																																																						
Finish	Code																																																																																						
Natural black	N																																																																																						
Red	R																																																																																						
Blue	B																																																																																						
Yellow	Y																																																																																						
Green	G																																																																																						
White	W																																																																																						
Special	S*																																																																																						

General arrangement drawing (all dimensions in inches)



Electrical ratings: ULC versions

	d.c.		a.c. (60Hz†)	
	24*	48	120*	240*
Nominal voltage @ 60fpm	24*	48	120*	240*
Average current 5J (mA)	340	230	210	110
Average current 10J (mA)	630	390	340	180
Average current 15J (mA)	900	560	380	200

* Conforms to ULC regulated power supplies

† For 50Hz please refer to worldwide datasheet

ULC rated light output:

Effective (Cd) (no guard. 60fpm)	24Vdc	48Vdc	120Vac	240Vac
5J	10.8	9	13	14
10J	31.5	31.5	22.5	21
15J	49.5	63	30	30

Light output tested to ULC-S526-07 requirements. Less than 15cd is not suitable for public mode.

Multiplying factor for coloured lenses:

Red	Blue	Amber	Green	Yellow
0.2	0.27	0.36	0.24	0.65

Light output tested to ULC-S526-07 requirements