

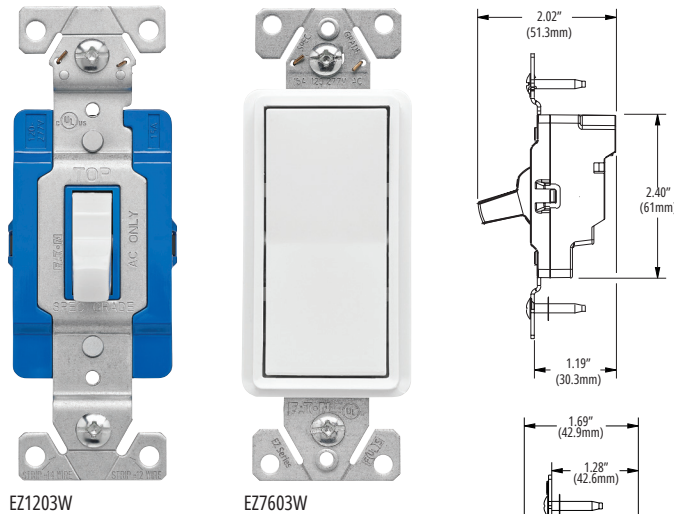
Technical Data

EZ Link modular devices Heavy-duty single pole & 3-way switches

Arrow Hart

October 2023

Project Name:	Prepared By:
Project Number:	Date:
Catalog Number:	Type:



AVAILABLE IN THESE COLORS

*For ordering devices, include Cat. no. followed by the color suffix, for example: TR5262_

B	BK	GY	LA	RD	V	W
Brown	Black	Gray	Light Almond	Red	Ivory	White

MATERIALS

Housing	Top: Thermoplastic, polycarbonate Bottom: Thermoplastic, polycarbonate
Strap	0.047" Galvanized steel
Line contacts	0.032" Thick brass C260
Terminal	0.032" Thick brass C260

SPECIFICATIONS

Electrical	Dielectric voltage: Withstands 2000V per UL 498 Temperature rise: Max. 30°C (86°F) after 100 cycles of overload @ 150% of rated current (DC) Frequency: 60 Hz; Voltage: 125V Amperage: 15A/20A
Testing & code compliance	cULus Listed to UL 20, file no. E18704 Meets all UL20 (switches), applicable CSA requirements and NOM certified
Environmental	Flammability: Meets UL 94 requirements; V2 rated Temperature rating: -20°C to 60°C (-4°F to 140°F)
Mechanical	Terminal accommodation: With separable terminals use connectors EZSPSWSTR, EZSPSWSOL, EZ3WSWSTR, EZ3WSWSOL Voltage ratings: Permanently marked on device

 [Arrow Hart Website](#)
[Buyer's Guide Product Page](#)

DESCRIPTION

Single pole, 3-Way
15A & 20A, 120/277 V/AC



TOGGLE SWITCHES, SEPARABLE TERMINAL TYPE

Rating	A	V/AC	Description	Catalog no.	Color suffix
15	20	120/277	Single pole toggle	<input type="checkbox"/> EZ1201_	B, BK, GY, LA, RD, V, W
				<input type="checkbox"/> EZ1221_	B, BK, GY, LA, RD, V, W
15	20	120/277	3-way toggle	<input type="checkbox"/> EZ1203_	B, BK, GY, LA, RD, V, W
				<input type="checkbox"/> EZ1223_	B, BK, GY, LA, RD, V, W

DECORATOR SWITCHES, SEPARABLE TERMINAL TYPE

Rating	A	V/AC	Description	Catalog no.	Color suffix
15	20	120/277	Single pole decorator	<input type="checkbox"/> EZ7601_	B, BK, GY, LA, RD, V, W
				<input type="checkbox"/> EZ7621_	B, BK, GY, LA, RD, V, W
15	20	120/277	3-way decorator	<input type="checkbox"/> EZ7603_	B, BK, GY, LA, RD, V, W
				<input type="checkbox"/> EZ7623_	B, BK, GY, LA, RD, V, W

APPLICATIONS

Leveraging Arrow Hart's existing feature-rich and high quality products, EZ Link single pole and 3-way switches have been designed to meet the requirements of commercial and industrial applications, while speeding up installation with a simple and convenient sliding termination type design. EZ Link fulfills a need for customers who want to reduce project timelines through quick installation of wiring devices.

DESIGN FEATURES

- Intuitive arrow-shaped mating design and slim profile allows for rapid installation during trim-out
- 120/277V/AC rating ideal for fluorescent lighting fixtures typical in commercial applications
- Color-coded faces on toggle switches identify amperage: blue=15 amp, red=20 amp
- Connectors slide and lock into place on back of device, guided by precision rails and custom engineered wings resulting in unmatched connector retention
- Discrete connector designs prevent incorrect installations

COMPLEMENTARY PRODUCTS

Wallplates:	PJS1, PJS26
EZ Link Connector:	Single pole: EZSPSWSTR, EZSPSWSOL 3-way: EZ3WSWSTR, EZ3WSWSOL

ADDITIONAL RESOURCES



Scan QR code for additional marketing collateral