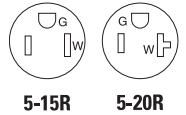


Combination USB 3.6A charger with TR duplex receptacle

| | |
|-----------------|--------------|
| Project Name: | Prepared By: |
| Project Number: | Date: |
| Catalog Number: | Type: |

Description

2-Pole, 3-Wire grounding
 15A, 125V/AC, 5V/DC, 3.6A
 20A, 125V/AC, 5V/DC, 3.6A
 NEMA 5-15R, 5-20R



TR7765



TR7766

Design features

- Standard AC duplex receptacle with two USB charging ports rated at 3.6A
- Dual USB ports charges most compatible USB electronic devices
- Tamper resistant shutters provide compliance with 2014 NEC® Article 406.12 that states that all 15A and 20A, 125V receptacles installed in dwelling units must be tamper resistant
- Replaces a standard duplex receptacle
- Automatic grounding system eliminates need for bonding jumper in grounded metal enclosure, provides redundant measure of ground continuity where jumper is used
- Thermoplastic top and back-body are virtually unbreakable to deliver years of durable performance
- Steel mounting strap is zinc plated for added corrosion resistance
- Convenient patented built-in wire strippers speed installation

Table 1. USB 3.6A charger with TR duplex receptacles, pre-stripped wire leads

| Catalog no. | Description | A | Rating | | | Color suffix |
|-----------------------------------|----------------------------------------------------------|----|--------|-----|------|---------------------|
| | | | V/AC | Amp | V/DC | |
| <input type="checkbox"/> TR7765__ | 3.6A USB charger with tamper resistant duplex receptacle | 15 | 125 | 3.6 | 5 | B, BK, GY, LA, V, W |
| <input type="checkbox"/> TR7766__ | 3.6A USB charger with tamper resistant duplex receptacle | 20 | 125 | 3.6 | 5 | B, BK, GY, LA, V, W |

Compliances, specifications and availability are subject to change without notice.



Powering Business Worldwide

| | |
|-----------------|--------------|
| Project Name: | Prepared By: |
| Project Number: | Date: |
| Catalog Number: | Type: |

Applications

Eaton's USB 3.6A duplex receptacle offers fast, efficient, and adapter-less charging of electronic devices in residential and commercial environments. The receptacle eliminates clutter by presenting adapter-free charging for all compatible electronic devices, while simultaneously providing charge for up to two devices rated at 3.6A charging capacity. The product allows for easy installation by leveraging Eaton's convenient patented built-in wire strippers. Designed to be child-safe, the receptacle is designed with tamper-resistant shutters that comply with 2014 NEC® Article 406.12

Table 2. Specifications

| Catalog no. | TR7765 & TR7766 Series |
|-------------------------------------------------|---------------------------------------------------------------------------------------------------------------------------------------------------------------------------------------------------------------------------|
| Device type | USB 3.6A combination charger with tamper resistant duplex receptacle |
| Wiring type | Screw terminals/side and back wire |
| Testing & code compliance | cULus Listed to UL498 and UL1310, File no. E15058 |
| Environmental specifications | Flammability: Meets UL94 requirements; V2 rated Temperature rating: -20°C to 60°C (-4°F to 140°F) |
| Electrical specifications: AC output | Dielectric voltage: Receptacle withstands 2000V per UL498 Temperature rise: Receptacle - max. 30°C (86°F) after 100 cycles of overload @ 150% of rated current (DC) |
| Electrical specifications: DC output | Switching frequency: Typical 140 kHz Output voltage: Nominal 5V (+/- 10%) Protection: Current limiting and thermal shutdown protection Output current: Constant current maximum 3.6A |
| Mechanical specifications | Terminations: Device can be wired using #14 or #12 AWG wires, #14 AWG for TR7765 and #12 AWG for TR7766 |

Table 3. Materials

| Catalog no. | TR7765 & TR7766 Series |
|-------------------------|------------------------------------------------------------------------------------------------------------------|
| Top housing | PC |
| Bottom housing | PBT |
| Strap | 0.042" thick steel, zinc plated |
| Auto ground clip | Phosphor bronze |
| Line contacts | 0.030" thick brass |
| Ground contact | 0.014" thick brass |
| Terminal screws | #8-32 steel, Line screw - Zinc plated; Neutral screw - Nickel plated; Ground screw - Zinc plated; Green |
| Tamper resistant | Reliable Delrin® shutter assembly |

Table 4. Color ordering information

For ordering devices, include Cat. no. followed by the color suffix: B (Brown), BK (Black), GY (Gray), LA (Light Almond), RB (Oil Rubbed Bronze), SG (Silver Granite), V (Ivory), W (White)

| | | | | | | | |
|----------|-----------|-----------|------------|-------------------|----------------|----------|----------|
| B | BK | GY | LA | RB | SG | V | W |
| Brown | Black | Gray | Lt. Almond | Oil Rubbed Bronze | Silver Granite | Ivory | White |

| | |
|-----------------|--------------|
| Project Name: | Prepared By: |
| Project Number: | Date: |
| Catalog Number: | Type: |

Product Dimensions

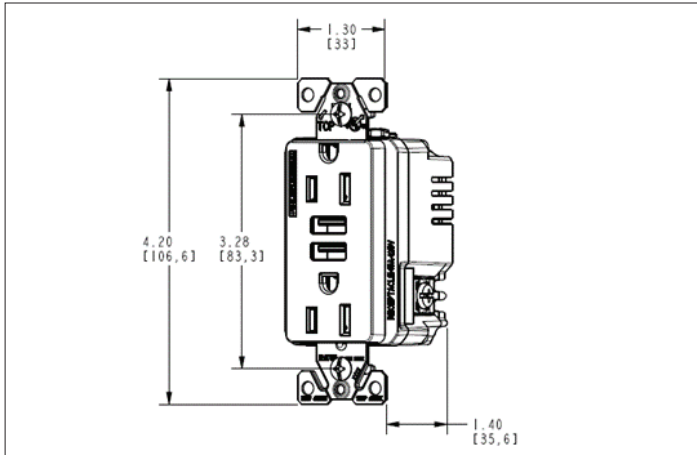


Figure 1. TR7765

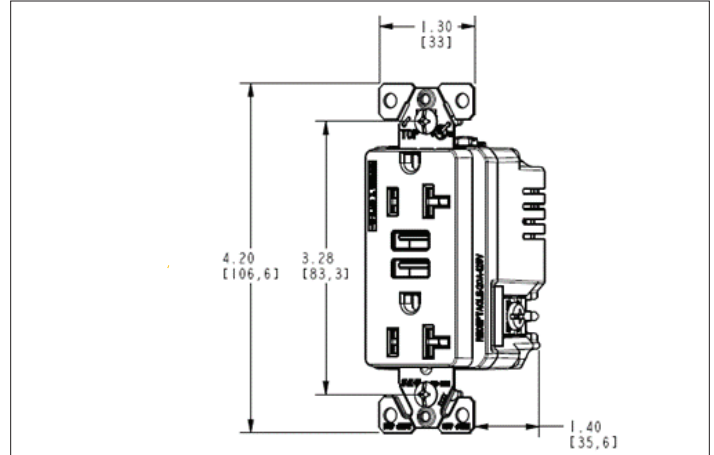
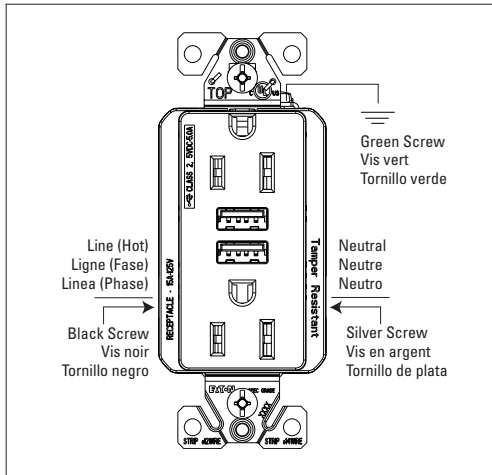


Figure 2. TR7766

Wiring Diagram



Certifications & Compliances

| Catalog no. | cULus | NOM 426 |
|-------------|-------|---------|
| TR7765 | • | • |
| TR7766 | • | • |

KEY: cULus cULus NOM 426 NOM

Compliances, specifications and availability are subject to change without notice.

Electrical Sector
203 Cooper Circle
Peachtree City, GA 30269
United States
Eaton.com
Eaton.com/wiringdevices

Electrical Sector
Canada Operations
5925 McLaughlin Road
Mississauga, Ontario, L5R 1B8
Canada
EatonCanada.ca
Eaton.com/wiringdevices

Electrical Sector
Mexico Operations
Carr. Tlalnepantla -
Cuautitlan Km 17.8 s/n
Col. Villa Jardin esq.
Cerrada 8 de Mayo
Cuautitlan, Mexico CP 54800
Mexico
Eaton.mx
Eaton.com/wiringdevices