

Wi-Fi smart fan speed control

Project Name:	Prepared By:
Project Number:	Date:
Catalog Number:	Type:

Description

Single pole, 3-way,
1.5A, 120V/AC, 60Hz

Design features

- Set up and control fan speed control using the Eaton Brightlayer Home App or by voice commands
- No hub required
- LED indicator system alerts if the device is not set up in the network
- Preset whether your device comes on or stays off following a power outage
- Neutral required for installation
- Dimmable white LED indicators illuminate to indicate (ON, OFF) status
- Can be wired with standard 3-way switch where traveler wire exists for 3-way.



EWFFSC15



Amazon, Alexa and all related logos are trademarks of Amazon.com, Inc. or its affiliates. Google and Google Play are trademarks of Google LLC. Wi-Fi CERTIFIED logo is a trademark of the Wi-Fi Alliance.

Table 1. Wi-Fi smart fan speed control  

A	Rating		Description	Color suffix	Catalog no.
	V/AC	Hz			
1.5	120	60	Wi-Fi smart fan speed control	W, C2, C6, C7	<input type="checkbox"/> EWFFSC15__

Compliances, specifications and availability are subject to change without notice.



Powering Business Worldwide

Project Name:	Prepared By:
Project Number:	Date:
Catalog Number:	Type:

Applications

Eaton's Wi-Fi smart fan speed control replaces regular switches (where a neutral is present) to provide local and remote control for ceiling fans. The fan speed controller can be remotely controlled and the user can create routines, schedules and group devices using the Eaton Brightlayer Home App. Eaton's Wi-Fi smart fan speed control has additional features such as a selection of 3 fan speed controls (High, Medium, Low).

Table 2. Specifications

Catalog No.	EWFFSC15
Performance	Maximum amperage: 1.5A Rating: 120V/AC, 60Hz
Installation & programming	For installation and programming the device, see the Wi-Fi Smart Fan Speed Control Quick Start Guide included with product.
Testing & code compliance	cULus Listed 244B. NOM Certified. Complies with FCC Part 15, Class B.
Terminations	Fan speed controller has screw terminals for line, load, ground, neutral and traveler 3-way wire
Material characteristics	Flammability: Meets UL94 requirements; V2 rated Temperature rating: 32°F to 104°F (0°C to 40°C)
Warranty	2-year limited product warranty

Table 3. Color ordering information

For ordering devices, include Catalog No. followed by the Color Suffix: W (White), C2 (Color Change Kit: LA, W, V), C6 (Color Change Kit: W, RB, SG), C7 (Color Change Kit: B, BK, GY)

Decorator series color options:



Product dimensions

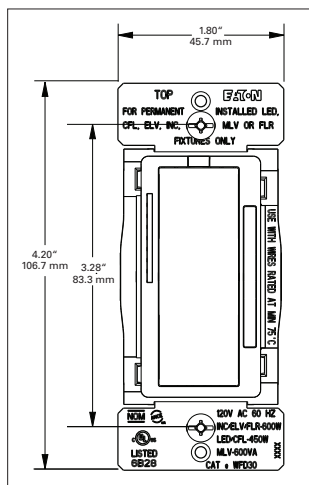
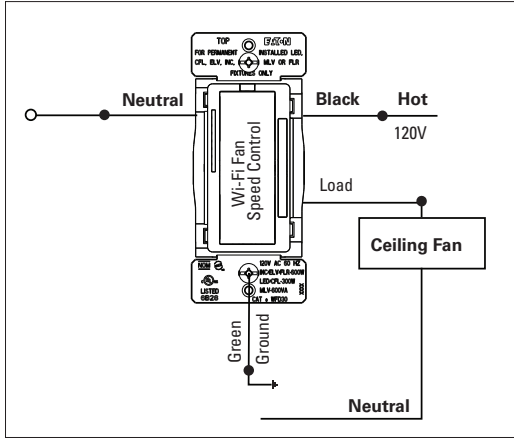


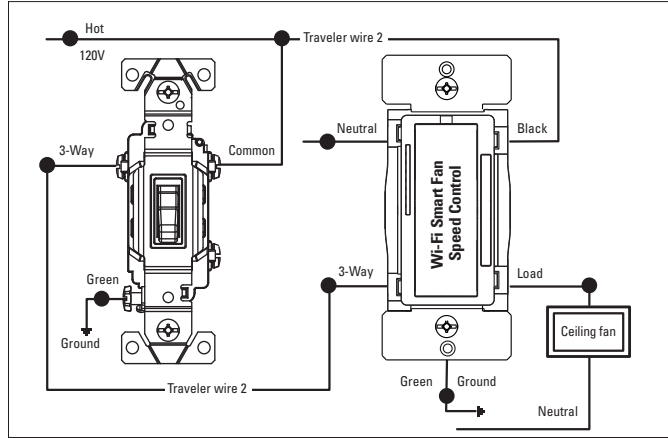
Figure 1. EWFFSC15

Project Name:	Prepared By:
Project Number:	Date:
Catalog Number:	Type:

Single location control installation (EWFFSC15)



3-Way location control installation (EWFFSC15 & standard 3-way switch)



Certifications & compliances

Catalog No.			
EWFFSC15	•	•	•

KEY: cULus NOM FCC

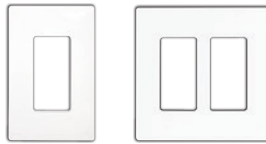
Related products

Wi-Fi smart products



EWFD30, EWACD, EWFTRCR15

Wallplates



PJS26, PJS262

Compliances, specifications and availability are subject to change without notice.

Electrical Sector
1123 Hwy 74 S
Peachtree City, GA 30269
United States
Eaton.com
Eaton.com/WifiSmart

Electrical Sector
Canada Operations
5925 McLaughlin Road
Mississauga, Ontario, L5R 1B8
Canada
EatonCanada.ca
Eaton.com/WifiSmart

Electrical Sector
Mexico Operations
Carr. Tlalnepantla -
Cautitlan Km 178 s/n
Col. Villa Jardin esq.
Cerrada 8 de Mayo
Cautitlan, Mexico CP 54800
Mexico
Eaton.mx
Eaton.com/WifiSmart



Eaton
1000 Eaton Boulevard
Cleveland, OH 44122
United States
Eaton.com

© 2023 Eaton
All Rights Reserved
Printed in USA
Publication No. TD610147EN
April 2023

Eaton is a registered trademark.
All other trademarks are property
of their respective owners.