

Wi-Fi smart dimmer

Project Name:	Prepared By:
Project Number:	Date:
Catalog Number:	Type:



EWFD30



Amazon, Alexa and all related logos are trademarks of Amazon.com, Inc. or its affiliates. Google and Google Play are trademarks of Google LLC. Wi-Fi CERTIFIED logo is a trademark of the Wi-Fi Alliance.

Description

Single pole, 3-way, multi-location
120V/AC, 60Hz
Loads: LED, CFL, INC, HAL, FLR, MLV, ELV

Design features

- No hub required
- Compatible with accessory dimmer (EWACD) or regular 3-way switch for 3-way control
- Set up and control dimmer using the Eaton Brightlayer Home App or by voice commands
- Neutral wire required for installation
- Programmable rapid start feature ensures lamp start-up even at low dim levels
- Air-gap switch disconnects power to dimmer and load
- Adjustable high-level trim setting for additional energy savings
- Adjustable low-level trim setting helps prevent flickering
- Dimmable seven step white LED indicator alongside push pad indicates selected light level
- Pressing and holding ON button for 2 seconds brings light to full brightness without affecting preset levels
- LED indicator system alerts if the device is not set up in the network
- Preset whether your device comes on or stays off following a power outage
- Adjust how long lights stay on to allow for a safe, convenient exit
- Available in 8 different colors including metallic finishes and color change kits

Table 1. Wi-Fi smart dimmer   

W	Rating		Compatible lamp types	Description	Color suffix	Catalog no.
	V/AC	Hz				
450	120	60	Dimmable LED/CFL	Wi-Fi smart dimmer	W, C2, C6, C7	<input type="checkbox"/> EWFD30__
600	120	60	INC, HAL, FLR, MLV, ELV			

Compliances, specifications and availability are subject to change without notice.



Powering Business Worldwide

Project Name:	Prepared By:
Project Number:	Date:
Catalog Number:	Type:

Applications

Eaton's Wi-Fi smart universal dimmer replaces regular switches to provide local and remote ON/OFF/DIM/BRIGHT control. These are compatible with most common lighting loads including LED, CFL, INC, HAL, FLR, ELV, and MLV. The dimmer can be remotely controlled and the user can create routines, schedules and group devices using the Eaton Brightlayer Home App to easily control their home.

Table 2. Specifications

Catalog No.	EWFD30
Performance	Rating: 120V/AC, 60Hz Derating required in multi-gang installations (See multi-unit installation chart listed below)
Installation & programming	For installation and programming the device, see the Wi-Fi Smart Universal Dimmer Quick Start Guide included with product.
Testing & code compliance	cULus Listed 6B28. NOM Certified. Complies with FCC Part 15, Class B
Terminations	Dimmers have five screw terminals for line, load, ground, neutral and 3-way
Material characteristics	Flammability: Meets UL94 requirements; V2 rated Temperature rating: 32°F to 104°F (0°C to 40°C)
Warranty	2-year limited product warranty

Table 3. Multi-unit installation chart

Catalog No.	Load Type	1-Gang	2-Gang	3 or more Gangs
EWFD30	INC/ELV/FLR/HAL/MLV	600W/VA	500W/VA	400W/VA
	LED/CFL	450W	450W	400W

Table 4. Color ordering information

For ordering devices, include Catalog No. followed by the Color Suffix: W (White), C2 (Color Change Kit: LA, W, V), C6 (Color Change Kit: W, RB, SG), C7 (Color Change Kit: B, BK, GY)

Decorator series color options:



Product dimensions

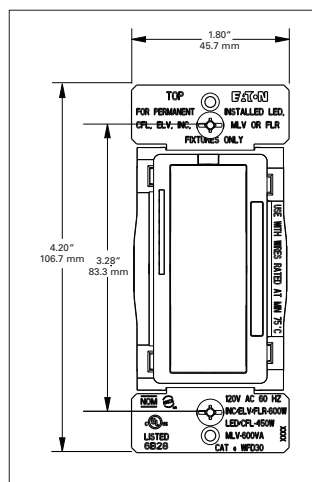
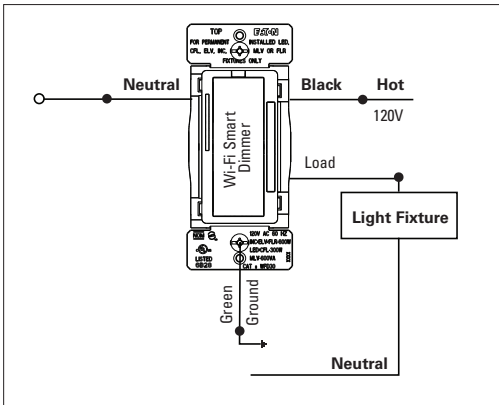


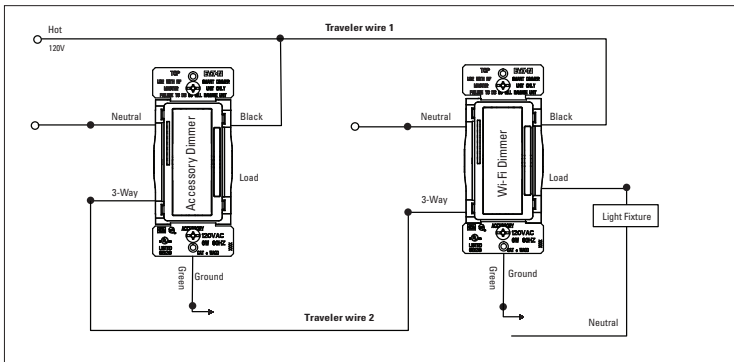
Figure 1. EWFD30

Project Name:	Prepared By:
Project Number:	Date:
Catalog Number:	Type:

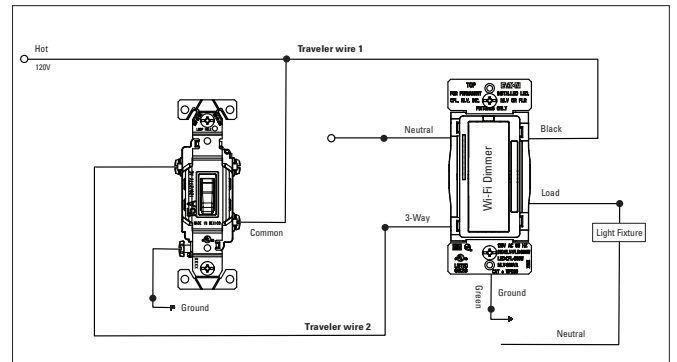
Single location control installation



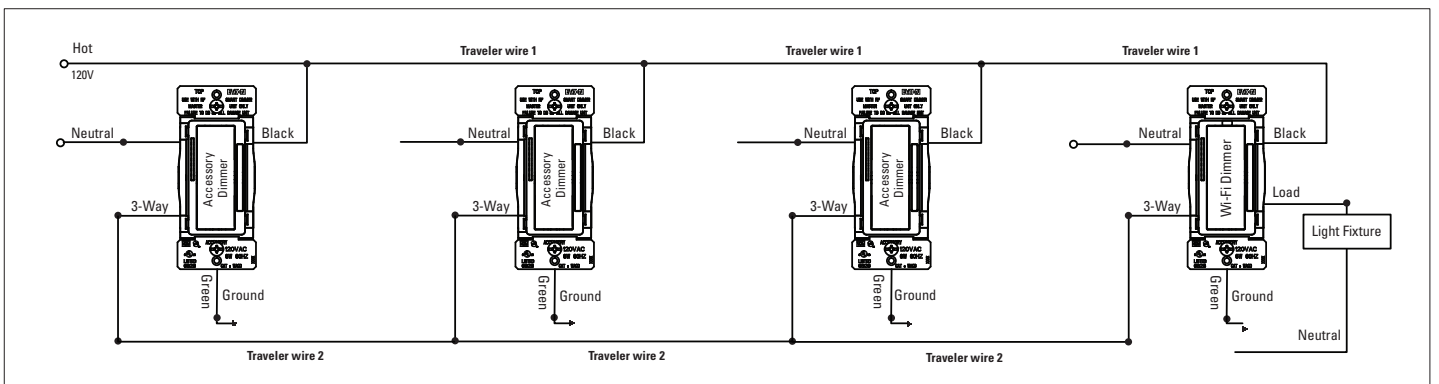
Two location control installation (requires one Wi-Fi smart dimmer and one accessory dimmer)



Two location control installation (requires one Wi-Fi smart dimmer and one 3-way switch)



Multiple location control installation (requires one Wi-Fi smart dimmer and up to 4 accessory dimmers)



Project Name:	Prepared By:
Project Number:	Date:
Catalog Number:	Type:

Certifications & Compliances

Catalog No.	cULus	NOM 426	FC	ETL
EWFD30	•	•	•	•

KEY: cULus cULus NOM 426 NOM FCC ETL CA Title 24 Compliant

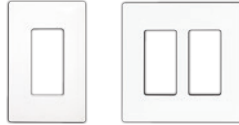
Related Products

Wi-Fi smart products



EWACD, EWFSW15, EWFTRCR15

Wallplates



PJS26, PJS262

Compliances, specifications and availability are subject to change without notice.

Electrical Sector
1123 Hwy 74 S
Peachtree City, GA 30269
United States
Eaton.com
Eaton.com/WifiSmart

Electrical Sector
Canada Operations
5925 McLaughlin Road
Mississauga, Ontario, L5R 1B8
Canada
EatonCanada.ca
Eaton.com/WifiSmart

Electrical Sector
Mexico Operations
Carr. Tlalnepantla -
Cuautitlan Km 178 s/n
Col. Villa Jardin esq.
Cerrada 8 de Mayo
Cuautitlan, Mexico CP 54800
Mexico
Eaton.mx
Eaton.com/WifiSmart