

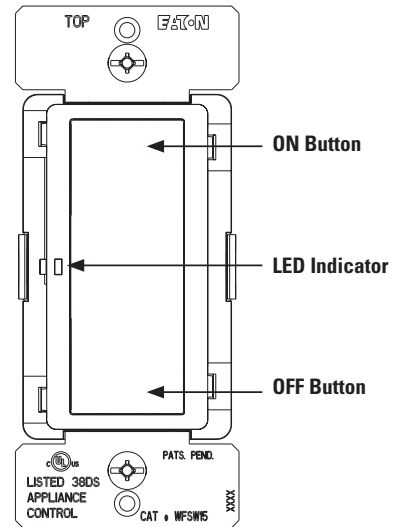
WI-FI SMART SWITCH WFSW15

OPERATION INSTRUCTIONS

- Press the ON button to turn the load ON
- Press the OFF button to turn the load OFF

Quick reference table for Smart Switch Functionality

Function	Device state	Button	Number of seconds to press	Default
Delayed OFF time	ON	OFF	2	10 seconds
Power Up State	ON/OFF	OFF	5	OFF
LED Indicator brightness	OFF	OFF	15	Level 0
LED Indicator brightness	ON	ON	15	Level 3
Factory Reset	ON/OFF	ON	30	-



DELAYED OFF

When the load is ON, press and hold the OFF button for 2 seconds until the LED indicator starts flashing for the first time. After 10 seconds, the load will turn OFF.

POWER UP STATE

This feature allows the user to change the Power Up State of the Smart Switch when the power is restored after an outage.

- Press and hold the OFF button until the LED flashes for the second time (5 secs)
- Release the button
- Single tap the OFF button to cycle between the Power Up States: OFF state (LED single blink), ON state (LED double blinks) and the LAST State (LED triple blinks)
- Once the level is chosen, press and hold either the OFF or the ON button until the LED indicator starts blinking to save the value

LED INDICATOR BRIGHTNESS

This feature allows the user to change the brightness of the LED indicator.

There are 5 levels (OFF to Full brightness) to change the LED indicator brightness level either while the device is ON or OFF.

Changing the LED indicator brightness for the ON state

- Turn the load ON
- Press and hold the ON button until the LED flashes for the first time (15 secs)
- Release the button
- Single tap the ON or the OFF button to change the LED indicator level (it will cycle between the five levels)
- Once the brightness level is chosen, press and hold either the ON or the OFF button until the LED indicator starts blinking to save the value

Changing the LED indicator brightness for the OFF state

- Turn the load OFF
- Press and hold the OFF button until the LED flashes for the third time (15 secs)
- Release the button
- Single tap the OFF button or the ON button to change the LED indicator level (it will cycle between the five levels)
- Once the brightness level is chosen, press and hold either the OFF or the ON button until the LED indicator starts blinking to save the value

FACTORY RESET

The device can be reset which will exclude the device from its network and restore all factory defaults.

- Press and hold the ON button until the LED flashes for the second time (30 secs)
- Release the button
- The LED will start blinking again indicating the switch is not part of the Wi-Fi network

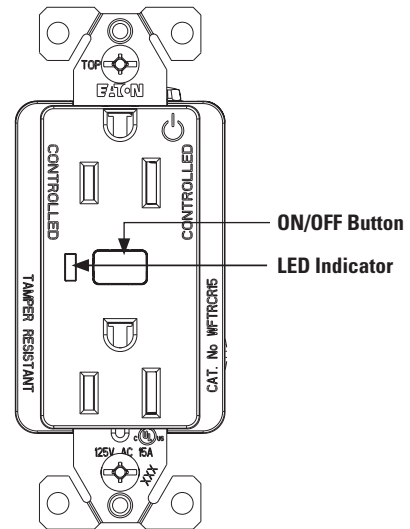
WI-FI SMART DUPLEX RECEPTACLE WFTRCR15

OPERATION INSTRUCTIONS

- Press the ON/OFF button to turn the load ON
- Press the ON/OFF button again to turn the load OFF

Quick reference table for Smart Duplex Receptacle Functionality

Function	Device state	Button	Number of seconds to press	Default
Delayed OFF time	ON	ON/OFF	2	10 seconds
Power Up State	ON/OFF	ON/OFF	5	OFF
LED Indicator brightness	OFF	ON/OFF	15	Level 0
LED Indicator brightness	ON	ON/OFF	15	Level 3
Factory Reset	ON/OFF	ON/OFF	30	



DELAYED OFF

When the load is ON, press and hold the ON/OFF button for 2 seconds until the LED indicator starts flashing for the first time. After 10 seconds, the load will turn OFF.

POWER UP STATE

This feature allows the user to change the Power Up State of the Smart Receptacle when the power is restored after an outage.

- Press and hold the ON/OFF button until the LED flashes for the second time (5 secs)
- Release the button
- Single tap the ON/OFF button to cycle between the Power Up States: OFF state (LED single blink), ON state (LED double blinks) and the LAST state (LED triple blinks)
- Once the level is chosen, press and hold the ON/OFF button until the LED indicator starts blinking and the value will be saved

LED INDICATOR BRIGHTNESS

This feature allows user to change the brightness of the LED indicator.

There are 5 levels (OFF to Full brightness) to change the LED indicator brightness level either while the device is ON or OFF

Changing the LED indicator brightness for the ON state

- Turn the load ON by pressing the ON/OFF button
- Press and hold the ON/OFF button until the LED flashes for the third time (15 secs)
- Release the ON/OFF button
- Single tap the ON/OFF button to change the LED indicator level (it will cycle between the five levels)
- Once the brightness level is chosen, press and hold the ON/OFF button until the LED indicator starts blinking and the value will be saved

Changing the LED indicator brightness for the OFF state

- Turn the load OFF by pressing the ON/OFF button
- Press and hold the ON/OFF button until the LED flashes for the third time (15 secs)
- Release the button
- Single tap the ON/OFF button to change the LED indicator level (it will cycle between the five levels)
- Once the brightness level is chosen, press and hold the ON/OFF button until the LED indicator starts blinking to save the value

FACTORY RESET

The device can be reset which will exclude the device from its network and restore all factory defaults

- Press and hold the ON/OFF button until the LED flashes for the fourth time (30 secs)
- Release the button
- The LED will start blinking again indicating the receptacle is not part of the Wi-Fi network

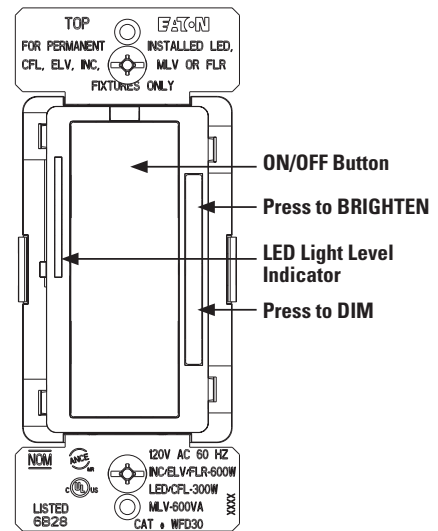
WI-FI SMART UNIVERSAL DIMMER WFD30

OPERATION INSTRUCTIONS

- Press the ON button to turn the lights ON at the previously selected level
- Press the OFF button to turn the lights OFF
- The bottom LED indicates that the dimmer is turned ON (Default)
- Press and hold the ON button for 2 seconds for full brightness

Quick reference table for Smart Universal Dimmer Functionality

Function	Device state	Button	Number of seconds to press	Default
Delayed OFF Time	ON	OFF	2	10 seconds
Power Up State	ON	OFF	5	OFF
Ramp Time Rate	ON	OFF	10	3 seconds
LED Indicator Brightness	OFF	OFF	15	Level 1
Full Brightness	ON/OFF	ON	2	100%
Dimming Level Adjustment	ON	ON	5	
Rapid Start Feature	ON	ON	10	Disabled
LED Indicator Brightness	ON	ON	15	Level 3
Factory Reset	ON/OFF	ON	30	



DELAYED OFF

When lights are ON, press and hold the OFF button for 2 seconds until the LED indicator blinks. After a 10 second delay, the lights will fade OFF.

DIMMING LEVEL ADJUSTMENT

For maximum compatibility with different load types, WFD30 allows the user to set the minimum level. Also, to save on power consumption WFD30 allows the user to set the maximum level.

- After restoring power and adding the device to the Wi-Fi network, press the ON button to turn on the light
- Press and hold the ON button for five seconds until the dimmer LED indicators begin to cycle rapidly
- Release the ON button. Dimmer will set the light to the previously saved minimum level. During initial setup, the light will set to the factory minimum default
- Press either the dim or brighten buttons to change the minimum level until the light output is acceptable
- Press and release the ON button once. The dimmer LEDs will start to cycle rapidly again and the dimmer light will go to previously saved maximum level
- Press either the dim or brighten buttons to change the maximum level until the light output is acceptable
- Press and release the ON button, the LED indicator starts blinking and the value will be saved

NOTE - To restore the default min/max, repeat the steps above and adjust light levels to full min/max settings by pressing dim/brighten buttons until the light output no longer changes.

NOTE - The user can ignore setting max or min by pressing the ON/OFF button without changing the dimming level.

RAPID START FEATURE (DISABLED BY DEFAULT)

This feature ensures that LED/CFL lights turn on when the dimmer preset level is low. With this setting enabled, the lights will momentarily be brighter than the preset level (less than one second) and then dim down to the preset level. Depending on the type of light used, this feature may not be needed.

- After restoring power and adding the device to the Wi-Fi network, press the ON button to turn on the light
- Press and hold the ON button for 10 seconds until the dimmer LED indicators begin to blink for the second time
- Release the ON button. LED indicators will start flashing fast to indicate the state has changed

NOTE - To disable/enable the RAPID START FEATURE, repeat the steps above again.

WI-FI SMART UNIVERSAL DIMMER (cont.)

WFD30

LED INDICATOR BRIGHTNESS

This feature allows the user to change the brightness of the LED indicator.

There are 5 levels (OFF to Full brightness) to change the LED indicator brightness level either while the dimmer is ON or OFF state

Changing the LED indicator brightness for the ON state

- Turn the light ON
- Press and hold the ON button for 15 seconds until the LED indicator flashes for the third time
- Release the button
- Use the ON or OFF buttons to change the LED indicator level (it will cycle between the five levels)
- Once the level is chosen, press and hold the ON button until the LED indicator starts blinking to save the value

Changing the LED indicator brightness for the OFF state

- Turn the light ON
- Press and hold the OFF button for 15 seconds until the LED indicator flashes for the fourth time
- Release the button
- Use the ON or OFF buttons to change the LED indicator level (it will cycle between the five levels)
- Once the level is chosen, press and hold the OFF button until the LED indicator starts blinking to save the value

POWER UP STATE (OFF STATE BY DEFAULT)

This feature allows the user to change the Power Up State of the Smart Dimmer when the power is restored after an outage.

- Turn the light OFF
- Press and hold the OFF button for five seconds until the LED indicator flashes for the second time
- Release the button
- LED will blink either at the highest level, indicating the Power Up State is ON, or in the middle level, indicating the Power Up State is the LAST state or the lowest level indicating the Power Up State is OFF
- Use the On or OFF button to cycle between the three states
- Once the level is chosen, press and hold the OFF button until the LED indicator starts blinking to save the value

RAMP TIME RATE (3 SECONDS BY DEFAULT)

This feature is to enable/disable a 3 second ramp time when turning the device ON/OFF. When enabled (default), the dimmer will ramp the load brightness up or down over a 3 second period when turned ON or OFF respectively. When disabled, the dimmer will instantly turn ON/OFF.

- Turn the light ON
- Press and hold the OFF button for 10 seconds until the LED indicator blinks for the third time
- Release the button
- LED indicators will start flashing fast to indicate the state has changed

NOTE - to change the RAMP TIME RATE, repeat the steps above

FACTORY RESET

The device can be reset which will exclude the device from its network and restore all factory defaults.

- Turn ON the dimmer
- Press and hold the ON button for 30 seconds until the LED indicator blinks for the fourth time
- Release the button
- LED indicator will start flashing fast while it is being reset
- The LED indicator will then start blinking at a normal rate indicating the dimmer is not part of a Wi-Fi network