

Installation manual (Original instructions)



DISCLAIMER OF WARRANTIES AND LIMITATION OF LIABILITY

The information, recommendations, descriptions, and safety notations in this document are based on manufacturer's experience and judgment and may not cover all contingencies. If further information is required, a sales representative should be consulted. Sale of the product shown in this literature is subject to the terms and conditions outlined in appropriate manufacturer selling policies or other contractual agreement between manufacturer and the purchaser.

THERE ARE NO UNDERSTANDINGS, AGREEMENTS, WARRANTIES, EXPRESSED OR IMPLIED, INCLUDING WARRANTIES OF FITNESS FOR A PARTICULAR PURPOSE OR MERCHANTABILITY, OTHER THAN THOSE SPECIFICALLY SET OUT IN ANY EXISTING CONTRACT BETWEEN THE PARTIES. ANY SUCH CONTRACT STATES THE ENTIRE OBLIGATION OF THE MANUFACTURER. THE CONTENTS OF THIS DOCUMENT SHALL NOT BECOME PART OF OR MODIFY ANY CONTRACT BETWEEN THE PARTIES.

In no event will the manufacturer be responsible to the purchaser or user in contract, in tort (including negligence), strict liability, or otherwise for any special, indirect, incidental, or consequential damage or loss whatsoever, including but not limited to damage or loss of use of equipment, plant or power system, cost of capital, loss of power, additional expenses in the use of existing power facilities, or claims against the purchaser or user by its customers resulting from the use of the information, recommendations, and descriptions contained herein. The information contained in this manual is subject to change without notice.

Cover Photo: Eaton PowerXL Series Drive

Support services

Support services

The goal of Eaton is to ensure your greatest possible satisfaction with the operation of our products.

We are dedicated to providing fast, friendly, and accurate assistance. That is why we offer you so many ways to get the support you need. Whether it is by phone, fax, or email, you can access Eaton's support information 24 hours a day, seven days a week.

Our wide range of services is listed below.

You should contact your local distributor for product pricing, availability, ordering, expediting, and repairs.

Website

Use the Eaton Website to find product information. You can also find information on local distributors or Eaton's sales offices.

Website address

www.eaton.com/drives

EatonCare Customer Support Center

Call the EatonCare Support Center if you need assistance with placing an order, stock availability or proof of shipment, expediting an existing order, emergency shipments, product price information, returns other than warranty returns, and information on local distributors or sales offices.

Voice: 877-ETN-CARE (386-2273) (8:00 a.m.–6:00 p.m. EST)
After-Hours Emergency: 800-543-7038 (6:00 p.m.–8:00 a.m. EST)

Drives Technical Resource Center

Voice: 877-ETN-CARE (386-2273) option 2, option 6
(8:00 a.m.–5:00 p.m. Central Time U.S. [UTC –6])
email: TRCDrives@Eaton.com

For customers in Europe, contact

Phone: +49 (0) 228 6 02-3640
Hotline: +49 (0) 180 5 223822
email: AfterSalesEGBonn@Eaton.com
www.eaton.com/moeller/aftersales

Table of contents

- Safety **viii**
- Definitions and symbols **viii**
- Hazardous high voltage **viii**
- DANGER
- 5 MIN **viii**
- Warnings and cautions **viii**
- EMC warnings and cautions **ix**
- CHAPTER 1—POWERXL DM1 SERIES OVERVIEW..... 1**
- Catalog number system **2**
- Power ratings and product selection..... **3**
- Accessories **5**
- Service and warranty..... **6**
- CHAPTER 2—RECEIVING AND INSPECTION 6**
- Unpacking **7**
- Proper use..... **8**
- Maintenance and inspection..... **8**
- Storage **8**
- CHAPTER 3—ENGINEERING CONSIDERATIONS..... 9**
- Introduction..... **9**
- Electrical power network..... **9**
- CHAPTER 4—MECHANICAL INSTALLATION..... 11**
- Electrical installation warnings and cautions..... **11**
- Standard mounting instructions **11**
- FR1 mounting instructions **17**
- FR2 mounting instructions **19**
- FR3 mounting instructions **21**
- FR4 mounting instructions **22**
- Mounting instruction for option cards..... **24**
- NEMA 1 kit **26**
- Component list for DM1 drive with NEMA 1 kit..... **26**
- Component list for DM1 NEMA 1 kit **26**
- Installation steps for DM1 FR1 NEMA 1 kit..... **27**
- Installation steps for DM1 FR2-FR4 NEMA 1 kits **29**
- Smartwire kit installation..... **33**
- Keypad remote mounting kit..... **35**
- Keypad mounting template..... **37**
- CHAPTER 5—ELECTRICAL INSTALLATION..... 38**
- Electrical installation warnings and cautions..... **38**
- Power wiring selection **38**
- Cable selection: Power and motor leads..... **38**
- Line (mains) and motor cable installation **38**
- Cable and fuse guidelines..... **41**
- Installation overview for DM1..... **41**
- Control board layout **45**
- Factory-set control terminal functions..... **46**
- Cable routing **47**

Table of contents, continued

Wiring the VFD	47
Checking the cable and motor insulation	47
EMC installation	48
EMC measures in the control panel	48
Earthing	48
Screen earth kit	48
Installation requirements	49
International EMC protection cable requirements	50
Installation in corner-grounded network and IT system	51
I/O connection	51
APPENDIX A—TECHNICAL DATA AND SPECIFICATIONS	52
Technical data	52
APPENDIX B—INSTALLATION GUIDELINES	55
Cable and fuse sizing	55
Temperature deratings	60
Heat loss data	65
Brake resistor sizing	66
APPENDIX C—DIMENSION DRAWINGS	71
APPENDIX D—SAFETY INSTRUCTIONS FOR UL AND CUL	87
UL Standards compliance	87
Field wiring	88
APPENDIX E—STO FUNCTION	89
Description of safety function	89
Safety architecture and reliability block diagram	91
Switching mode power supply and STO input	91
Environmental and EMC conditions	92
Requirement for installation, commission, maintenance	92
Requirements of proof test	94
APPENDIX F—UL CERTIFICATE OF COMPLIANCE AND CE DECLARATION OF CONFORMITY	95
UL Certificate of Compliance	95
CE Declaration of Conformity	95

List of figures

Figures

Figure 1. Rating label.1
Figure 2. Catalog numbering system.2
Figure 3. Unpacking FR1, FR2, FR3, and FR4.7
Figure 4. AC power networks with grounded neutral point (TN/TT networks).9
Figure 5. Location of the EMC/MOV screw in frame 1.10
Figure 6. Location of the EMC/MOV screws in frames 2-4.10
Figure 7. Mounting orientation.12
Figure 8. EMC-Compliant setup - 230 Vac, 460/480 Vac, 600 Vac.44
Figure 9. Cable description.50
Figure 10. Location of the EMC/MOV screw in frame 1.51
Figure 11. Location of the EMC/MOV screws in frame 2-4.51
Figure 12. DM1 Pro FR1 without NEMA 1 kit dimension drawing.71
Figure 13. DM1 FR1 without NEMA 1 kit dimension drawing.72
Figure 14. DM1 Pro FR2 without NEMA 1 kit dimension drawing.73
Figure 15. DM1 FR2 without NEMA 1 kit dimension drawing.74
Figure 16. DM1 Pro FR3 without NEMA 1 kit dimension drawing.75
Figure 17. DM1 FR3 without NEMA 1 kit dimension drawing.76
Figure 18. DM1 Pro FR4 without NEMA 1 kit dimension drawing.77
Figure 19. DM1 FR4 without NEMA 1 kit dimension drawing.78
Figure 20. DM1 Pro FR1 with NEMA 1 kit dimension drawing.79
Figure 21. DM1 FR1 with NEMA 1 kit dimension drawing.80
Figure 22. DM1 Pro FR2 with NEMA 1 kit dimension drawing.81
Figure 23. DM1 FR2 with NEMA 1 kit dimension drawing.82
Figure 24. DM1 Pro FR3 with NEMA 1 kit dimension drawing.83
Figure 25. DM1 FR3 with NEMA 1 kit dimension drawing.84
Figure 26. DM1 Pro FR4 with NEMA 1 kit dimension drawing.85
Figure 27. DM1 FR4 with NEMA 1 kit dimension drawing.86
Figure 28. Functional block diagram.90
Figure 29. Reliability block diagram.90
Figure 30. STO terminal block in DM1 control board.92
Figure 31. Thermistor STO dry contact wiring diagram.93

List of tables

Tables

Table 1. Common abbreviations.	1
Table 2. PowerXL DM1 Series drives 230 V 3-phase input.	3
Table 3. PowerXL DM1 Series drives 480 V 3-phase input.	3
Table 4. PowerXL DM1 PRO Series drives 115 V single phase input.	3
Table 5. PowerXL DM1 PRO Series drives 230 V single phase input.	4
Table 6. PowerXL DM1 PRO Series drives 230 V 3-phase input.	4
Table 7. PowerXL DM1 PRO Series drives 480 V 3-phase input.	4
Table 8. PowerXL DM1 PRO Series drives 575 V 3-phase input.	5
Table 9. PowerXL Series - DM1 NEMA 1 conversion kits.	5
Table 10. PowerXL Series - DM1 communication card kits.	5
Table 11. PowerXL Series - DM1 remote keypad kits.	5
Table 12. PowerXL Series - DM1 demo units.	5
Table 13. PowerXpert in control software.	5
Table 14. Maintenance measures and intervals.	8
Table 15. Approximate mounting dimensions in inches (mm).	13
Table 16. Approximate space requirements in inches (mm).	15
Table 17. DM1/DM1 Pro EMI version wiring summary.	18
Table 18. Screw quantities.	26
Table 19. Conduit fitting for wires.	28
Table 20. Stripping lengths.	39
Table 21. Connection sizes and torques.	39
Table 22. North America cable and fuse sizes.	41
Table 23. International cable and fuse sizes.	43
Table 24. I/O connection.	46
Table 25. Environment EMC levels.	50
Table 26. Motor power cable EMC guidelines.	50
Table 27. Cable categories.	50
Table 28. PowerXL DM1 Series specifications.	52
Table 29. UL cable and fuse sizes.	55
Table 30. IEC cable and fuse sizes.	58
Table 31. Temperature derating (VT).	61
Table 32. Temperature derating (CT).	63
Table 33. Losses, cooling requirements, and audible noise.	65
Table 34. Dynamic brake resistors.	66
Table 35. Input current scaling.	68
Table 36. Power factor and THDi.	70
Table 37. Connection sizes and torques①②.	88
Table 38. Safety-related parameters.	90

Safety

WARNING! **DANGEROUS ELECTRICAL VOLTAGE!**

Before commencing the installation:

- Disconnect the power supply of the device
 - Ensure that devices cannot be accidentally restarted
 - Verify isolation from the supply
 - Earth and short circuit the device
 - Cover or enclose any adjacent live components
 - Only suitably qualified personnel in accordance with EN 50110-1/-2 (VDE 0105 Part 100) may work on this device/system
 - Before installation and before touching the device ensure that you are free of electrostatic charge
 - The functional earth (FE, PES) must be connected to the protective earth (PE) or the potential equalization. The system installer is responsible for implementing this connection
 - Connecting cables and signal lines should be installed so that inductive or capacitive interference does not impair the automation functions
 - Install automation devices and related operating elements in such a way that they are well protected against unintentional operation
 - Suitable safety hardware and software measures should be implemented for the I/O interface so that an open circuit on the signal side does not result in undefined states in the automation devices
 - Ensure a reliable electrical isolation of the extra-low voltage of the 24 V supply. Only use power supply units complying with IEC 60364-4-41 (VDE 0100 Part 410) or HD384.4.41 S2
 - Deviations of the input voltage from the rated value must not exceed the tolerance limits given in the specifications, otherwise this may cause malfunction and dangerous operation
 - Emergency stop devices complying with IEC/EN 60204-1 must be effective in all operating modes of the automation devices. Unlatching the emergency-stop devices must not cause a restart
 - Devices that are designed for mounting in housings or control cabinets must only be operated and controlled after they have been installed and with the housing closed. Desktop or portable units must only be operated and controlled in enclosed housings
 - Measures should be taken to ensure the proper restart of programs interrupted after a voltage dip or failure. This should not cause dangerous operating states even for a short time. If necessary, emergency-stop devices should be implemented
- Wherever faults in the automation system may cause injury or material damage, external measures must be implemented to ensure a safe operating state in the event of a fault or malfunction (for example, by means of separate limit switches, mechanical interlocks, and so on)
 - Depending on their degree of protection, adjustable frequency drives may contain live bright metal parts, moving or rotating components, or hot surfaces during and immediately after operation
 - Removal of the required covers, improper installation, or incorrect operation of motor or adjustable frequency drive may cause the failure of the device and may lead to serious injury or damage
 - The applicable national accident prevention and safety regulations apply to all work carried out on live adjustable frequency drives
 - The electrical installation must be carried out in accordance with the relevant regulations (for example, with regard to cable cross sections, fuses, PE)
 - • Transport, installation, commissioning, and maintenance work must be carried out only by qualified personnel (IEC 60364, HD 384 and national occupational safety regulations)
 - Installations containing adjustable frequency drives must be provided with additional monitoring and protective devices in accordance with the applicable safety regulations. Modifications to the adjustable frequency drives using the operating software are permitted
 - All covers and doors must be kept closed during operation
 - To reduce hazards for people or equipment, the user must include in the machine design measures that restrict the consequences of a malfunction or failure of the drive (increased motor speed or sudden standstill of motor). These measures include:
 - Other independent devices for monitoring safety-related variables (speed, travel, end positions, and so on)
 - Electrical or non-electrical system-wide measures (electrical or mechanical interlocks)
 - Never touch live parts or cable connections of the adjustable frequency drive after it has been disconnected from the power supply. Due to the charge in the capacitors, these parts may still be live after disconnection. Fit appropriate warning signs

Read this manual thoroughly and make sure you understand the procedures before you attempt to install, set up, operate or carry out any maintenance work on this PowerXL Adjustable Frequency Drive.

Definitions and symbols

WARNING

This symbol indicates high voltage. It calls your attention to items or operations that could be dangerous to you and other persons operating this equipment. Read the message and follow the instructions carefully.



This symbol is the “Safety Alert Symbol.” It occurs with either of two signal words: CAUTION or WARNING, as described below.

WARNING

Indicates a potentially hazardous situation which, if not avoided, can result in serious injury or death.

CAUTION

Indicates a potentially hazardous situation which, if not avoided, can result in minor to moderate injury, or serious damage to the product. The situation described in the CAUTION may, if not avoided, lead to serious results. Important safety measures are described in CAUTION (as well as WARNING).

Hazardous high voltage

WARNING

Motor control equipment and electronic controllers are connected to hazardous line voltages. When servicing drives and electronic controllers, there may be exposed components with housings or protrusions at or above line potential. Extreme care should be taken to protect against shock.

- Stand on an insulating pad and make it a habit to use only one hand when checking components.
- Always work with another person in case an emergency occurs.
- Disconnect power before checking controllers or performing maintenance.
- Be sure equipment is properly earthed.
- Wear safety glasses whenever working on electronic controllers or rotating machinery.

WARNING

The components in the drive’s power section remain energized after the supply voltage has been switched off. After disconnecting the supply, wait at least five minutes before removing the cover to allow the intermediate circuit capacitors to discharge.

Pay attention to hazard warnings!



DANGER 5 MIN

WARNING

Electric shock hazard—risk of injuries! Carry out wiring work only if the unit is de-energized.

WARNING

Do not perform any modifications on the AC drive when it is connected to mains.

Warnings and cautions

WARNING

Be sure to ground the unit following the instructions in this manual. Ungrounded units may cause electric shock and/or fire.

WARNING

This equipment should only be installed, adjusted, and serviced by qualified electrical maintenance personnel familiar with the construction and operation of this type of equipment and the hazards involved. Failure to observe this precaution could result in death or severe injury.

WARNING

Components within the drive are live when it is connected to power. Contact with this voltage is extremely dangerous and may cause death or severe injury.

WARNING

Line terminals (L1, L2, L3), motor terminals (U, V, W) and the brake resistor terminals (R+, R–) are live when the drive is connected to power, even if the motor is not running. Contact with this voltage is extremely dangerous and may cause death or severe injury.

EMC warnings and cautions

WARNING

In a residential environment, this product may cause radio interference, in which case supplementary mitigation measures may be required.

WARNING

- This type of PDS is not intended to be used on a low-voltage public network which supplies residential premises.
- Radio frequency interference is expected if used on such a network.

CAUTION

This device complies with part 15 of the FCC Rules. Operation is subject to the following two conditions: (1) This device may not cause harmful interference, and (2) this device must accept any interference received, including interference that may cause undesired operation.

WARNING

Even though the control I/O terminals are isolated from line voltage, the relay outputs and other I/O terminals may have dangerous voltage present even when the drive is disconnected from power. Contact with this voltage is extremely dangerous and may cause death or severe injury.

WARNING

This equipment has a large capacitive leakage current during operation, which can cause enclosure parts to be above ground potential. Proper grounding, as described in this manual, is required. Failure to observe this precaution could result in death or severe injury.

WARNING

Before applying power to this drive, make sure that the front and cable covers are closed and fastened to prevent exposure to potential electrical fault conditions. Failure to observe this precaution could result in death or severe injury.

WARNING

An upstream disconnect/protective device must be provided as required by the National Electric Code® (NEC®). Failure to follow this precaution may result in death or severe injury.

WARNING

This drive can cause a DC current in the protective earthing conductor. Where a residual current-operated protective (RCD) or monitoring (RCM) device is used for protection in case of direct or indirect contact, only an RCD or RCM of Type B is allowed on the supply side of this product.

WARNING

Carry out wiring work only after the drive has been correctly mounted and secured.

WARNING

Before opening the drive covers:

- Disconnect all power to the drive, including external control power that may be present.
- Wait a minimum of five minutes after all the lights on the keypad are off. This allows time for the DC bus capacitors to discharge.

Failure to follow these precautions may cause death or severe injury.

WARNING

The opening of the branch-circuit protective device may be an indication that a fault current has been interrupted. To reduce the risk of fire or electric shock, current-carrying parts and other components of the controller should be examined and replaced if damaged. If burnout of the current element of an overload relay occurs, the complete overload relay must be replaced.

WARNING

Operation of this equipment requires detailed installation and operation instructions provided in the Installation/Operation manual intended for use with this product. It should be retained with this device at all times. A hard copy of this information may be ordered from literature fulfillment.

⚠ WARNING

Before servicing the drive:

- Disconnect all power to the drive, including external control power that may be present.
- Place a “DO NOT TURN ON” label on the disconnect device. Lock the disconnect device in the open position.

Failure to follow these instructions will result in death or serious injury.

⚠ WARNING

The drive outputs (U, V, W) must not be connected to the input voltage or the utility line power as severe damage to the device may occur and there may be a risk of fire.

⚠ WARNING

This device complies with Industry Canada licence-exempt RSS standard(s).

Operation is subject to the following two conditions:

- (1) This device may not cause interference, and
- (2) This device must accept any interference, including interference that may cause undesired operation of the device.

⚠ WARNING

The heat sink and/or outer enclosure may reach a high temperature.

Pay attention to hazard warnings!



Hot Surface—Risk of Burn. DO NOT TOUCH!

⚠ WARNING

In a domestic environment, this product may cause radio interference, in which case supplementary mitigation measures may be required.

⚠ MISE EN GARDE

Le présent appareil est conforme aux CNR d'Industrie Canada applicables aux appareils radio exempts de licence. L'exploitation est autorisée aux deux conditions suivantes:

- (1) l'appareil ne doit pas produire de brouillage, et
- (2) l'utilisateur de l'appareil doit accepter tout brouillage radioélectrique subi, même si le brouillage est susceptible d'en compromettre le fonctionnement.

Sécurité

AVERTISSEMENT!

TENSION ÉLECTRIQUE DANGEREUSE!

Avant de commencer l'installation

- Débrancher l'alimentation de l'appareil
- S'assurer que les dispositifs ne peuvent pas être accidentellement redémarrés
- Vérifier l'isolement de l'alimentation
- Mettre l'appareil à la terre et le protéger contre les courts-circuits
- Couvrir ou enfermer tout composant sous tension adjacent
- Seul le personnel qualifié conformément à la norme EN 50110-1/-2 (VDE 0105 Partie 100) peut travailler sur cet appareil/ce système
- Avant l'installation et avant de toucher l'appareil, s'assurer de ne porter aucune charge électrostatique
- La terre fonctionnelle (FE, PSE) doit être raccordée à la terre de protection (PE) ou la compensation de potentiel. L'installateur du système a la responsabilité d'assurer cette connexion
- Les câbles de connexion et les lignes de signal doivent être installés de façon à ce que les interférences capacitatives ou inductives ne compromettent pas les fonctions d'automatisation
- Installer les appareils d'automatisation et les éléments de fonctionnement associés de manière à ce qu'ils soient bien protégés contre tout fonctionnement accidentel
- Des dispositifs de sécurité matériels et logiciels appropriés doivent être utilisés en rapport avec l'interface des E/S afin qu'un circuit ouvert sur le côté signal ne résulte pas en états indéfinis dans les dispositifs d'automatisation
- Assurer une isolation électrique fiable sur le côté tension extra basse de l'alimentation 24 V. Utiliser uniquement des blocs d'alimentation conformes à la norme CEI 60364-4-41 (VDE 0100, partie 410) ou HD384.4.41 S2
- Les écarts entre la tension d'entrée et la tension nominale ne doivent pas dépasser les limites de tolérance indiquées dans les spécifications, au risque de provoquer un mauvais fonctionnement et une utilisation dangereuse du système
- Les dispositifs d'arrêt d'urgence conformes à la norme CEI/EN 60204-1 doivent être efficace dans tous les modes de fonctionnement des dispositifs d'automatisation. Le déverrouillage des dispositifs d'arrêt d'urgence ne doit pas entraîner un redémarrage
- Les dispositifs conçus pour un montage dans des boîtiers ou armoires de commande ne doivent être utilisés et contrôlés qu'après avoir été installés et avec le boîtier fermé. Les unités de bureau ou portatives ne doivent être utilisées et contrôlées que dans leurs boîtiers fermés
- Des mesures doivent être prises pour assurer un bon redémarrage des programmes interrompus après une chute ou une panne de tension. Ceci ne doit pas causer des états de fonctionnement dangereux, même pour un court laps de temps. Si nécessaire, des dispositifs d'arrêt d'urgence doivent être utilisés
- Quand des défaillances du système d'automatisation peuvent entraîner des blessures ou des dommages matériels, des mesures externes doivent être appliquées pour assurer un état de fonctionnement sans danger en cas de panne ou de mauvais fonctionnement (par exemple au moyen de disjoncteurs séparés, de verrouillages mécaniques, etc.)
- En fonction de leur degré de protection, les entraînements à fréquence variable peuvent contenir des pièces métalliques sous tension, des composants rotatifs ou en mouvement et des surfaces brûlantes, pendant le fonctionnement et immédiatement après l'arrêt
- Le retrait des protections requises, une installation incorrecte ou un mauvais fonctionnement du moteur ou de l'entraînement à fréquence variable peuvent causer la défaillance de l'appareil et entraîner des blessures graves et des dommages importants
- La réglementation nationale applicable en matière de sécurité et de prévention des accidents s'applique à tous les travaux effectués sur les entraînements à fréquence variable sous tension
- L'installation électrique doit être effectuée conformément aux réglementations applicables (par exemple, en ce qui concerne les sections transversales des câbles, les fusibles, la mise à la terre de protection)
- Le transport, l'installation, la mise en service et les travaux de maintenance doivent être effectués uniquement par un personnel qualifié (IEC 60364, HD 384 et règles de sécurité du travail)
- Les installations contenant des entraînements à fréquence variable doivent être équipées de dispositifs de surveillance et de protection, conformément aux réglementations applicables en matière de sécurité. Les modifications des entraînements à fréquence variable réalisées à l'aide du logiciel d'exploitation sont autorisées
- Toutes les protections et les portes doivent être maintenues fermées pendant le fonctionnement

- Pour réduire les risques d'accidents et de dommages matériels, l'utilisateur doit inclure dans la conception de la machine des mesures limitant les conséquences de panne ou de mauvais fonctionnement de l'entraînement (augmentation de la vitesse ou arrêt soudain du moteur). Ces mesures comprennent:
 - Autres dispositifs indépendants de surveillance des variables en rapport avec la sécurité (vitesse, voyages, positions d'extrémité, etc.)
 - Mesures électriques ou non électriques appliquées à l'ensemble du système (verrouillages électriques ou mécaniques)
 - Ne jamais toucher les pièces sous tension ni les connexions des câbles de l'entraînement à fréquence variable après leur déconnexion de l'alimentation. En raison de la charge dans les condensateurs, ces pièces peuvent être encore sous tension après la déconnexion. Installer les panneaux d'avertissement appropriés.

Lire ce manuel en entier et s'assurer de bien comprendre les procédures avant de tenter d'installer, de configurer, d'utiliser et d'effectuer tout travail d'entretien sur cet entraînement à fréquence variable PowerXL.

Définitions et symboles

AVERTISSEMENT

Ce symbole indique une haute tension. Il attire l'attention sur les éléments ou les opérations qui pourraient être dangereux pour les personnes utilisant cet équipement. Lire attentivement le message et suivre attentivement les instructions.

AVERTISSEMENT

Ce symbole est le « symbole d'alerte de sécurité ». Il accompagne les deux termes d'avertissement suivants: **MISE EN GARDE** ou **AVERTISSEMENT**, comme décrit ci-dessous.

AVERTISSEMENT

Indique une situation potentiellement dangereuse qui, si elle n'est pas évitée, peut entraîner des blessures graves ou la mort.

MISE EN GARDE

Indique une situation potentiellement dangereuse qui, si elle n'est pas évitée, peut entraîner des blessures légères à modérées et d'importants dégâts matériels. La situation décrite dans la MISE EN GARDE peut, si elle n'est pas évitée, entraîner des conséquences graves. Des mesures de sécurité importantes sont décrites dans les MISES EN GARDE (ainsi que dans les AVERTISSEMENTS).

Haute tension dangereuse

AVERTISSEMENT

L'équipement de contrôle du moteur et les contrôleurs électroniques sont branchés sur des tensions secteur dangereuses. Lors de l'entretien des entraînements et des contrôleurs électroniques, il peut y avoir des composants exposés avec des boîtiers ou des protubérances au niveau du potentiel du réseau ou au-dessus. Toutes les précautions doivent être prises pour se protéger contre les chocs électriques.

- Se tenir sur un tapis isolant et prendre l'habitude de n'utiliser qu'une seule main pour vérifier les composants
- Toujours travailler avec une autre personne lorsqu'une situation d'urgence se produit
- Débrancher l'alimentation avant de vérifier les contrôleurs ou d'effectuer des travaux d'entretien
- S'assurer que l'équipement est correctement relié à la terre
- Porter des lunettes de sécurité lors des travaux sur les contrôleurs électroniques ou les machines rotatives

AVERTISSEMENT

Les composants de la section d'alimentation de l'entraînement restent sous tension après la coupure de la tension d'alimentation. Après la déconnexion de l'alimentation, attendre au moins cinq minutes avant de retirer le couvercle pour permettre la décharge des condensateurs du circuit intermédiaire.

Prêter attention aux avertissements signalant des dangers !



DANGER
5 MIN

AVERTISSEMENT

Risque de choc électrique - risque de blessures !
Effectuer le câblage uniquement si l'unité n'est plus sous tension.

AVERTISSEMENT

Ne pas effectuer de modifications sur l'entraînement CA lorsqu'il est connecté à l'alimentation secteur.

Avertissements et mises en garde

AVERTISSEMENT

S'assurer de mettre l'appareil à la terre en suivant les instructions de ce manuel. Les unités non mises à la terre peuvent causer des chocs électriques et des incendies.

AVERTISSEMENT

Cet équipement ne doit être installé, réglé et entretenu que par un personnel d'entretien électrique qualifié connaissant la construction et le fonctionnement de ce type d'équipement, ainsi que les risques encourus. Le non-respect de cette précaution peut entraîner la mort ou des blessures graves.

AVERTISSEMENT

Les composants à l'intérieur de l'entraînement sont sous tension lorsque l'entraînement est branché à l'alimentation. Le contact avec cette tension est extrêmement dangereux et peut causer la mort ou des blessures graves.

AVERTISSEMENT

Les bornes de phase (L1, L2, L3), les bornes du moteur (U, V, W) et les bornes de frein (R+, R-) sont sous tension lorsque l'entraînement est branché à l'alimentation, même si le moteur ne tourne pas. Le contact avec cette tension est extrêmement dangereux et peut causer la mort ou des blessures graves.

Avertissements et mises en garde CEM

AVERTISSEMENT

Dans un environnement résidentiel, ce produit peut provoquer des interférences radio, auquel cas des mesures d'atténuation supplémentaires peuvent être nécessaires.

AVERTISSEMENT

- Ce type de PDS n'est pas prévu pour être utilisé sur un réseau public basse tension qui alimente des locaux résidentiels.

- Des interférences radioélectriques sont à prévoir en cas d'utilisation sur un tel réseau.

MISE EN GARDE

Cet appareil est conforme à la partie 15 de la réglementation FCC. Son fonctionnement est soumis aux deux conditions suivantes : (1) Cet appareil ne doit pas causer d'interférences nuisibles, et (2) ce dispositif doit accepter toute interférence reçue, y compris les interférences susceptibles de provoquer un fonctionnement indésirable.

AVERTISSEMENT

Même si les bornes E/S de commande sont isolées de la tension secteur, les sorties de relais et les autres bornes E/S peuvent présenter une tension dangereuse même lorsque l'entraînement est débranché. Le contact avec cette tension est extrêmement dangereux et peut causer la mort ou des blessures graves.

AVERTISSEMENT

Cet équipement a un grand courant de fuite capacitif pendant le fonctionnement, ce qui peut mettre les pièces du boîtier à un niveau supérieur au potentiel de terre. Une mise à la terre appropriée, telle que décrite dans ce manuel, est nécessaire. Le non-respect de cette précaution peut entraîner la mort ou des blessures graves.

AVERTISSEMENT

Avant de mettre l'entraînement sous tension, s'assurer que les protections avant et des câbles sont fermées et attachées pour empêcher l'exposition à d'éventuelles défaillances électriques. Le non-respect de cette précaution peut entraîner la mort ou des blessures graves.

AVERTISSEMENT

Un dispositif de protection/déconnexion en amont doit être fourni, tel que requis par le code électrique national (NEC®). Le non-respect de cette précaution peut entraîner la mort ou des blessures graves.

AVERTISSEMENT

Cet entraînement peut causer un courant CC dans le conducteur de mise à la terre de protection. Lorsqu'un dispositif de protection ou de surveillance à courant résiduel est utilisé pour la protection en cas de contact direct ou indirect, seul un dispositif de type B est autorisé sur le côté alimentation de ce produit.

AVERTISSEMENT

Ne travailler sur le câblage qu'après que l'entraînement a été correctement monté et attaché.

 AVERTISSEMENT

Avant d'ouvrir les couvercles de l'entraînement:

- Débrancher toute l'alimentation allant à l'entraînement, y compris l'alimentation de commande externe pouvant être présente
- Attendre un minimum de cinq minutes après l'extinction de tous les voyants du clavier. Cela permet aux condensateurs de bus CC de se décharger
- Une tension dangereuse peut rester dans les condensateurs de bus CC même si l'alimentation a été coupée. Confirmer que les condensateurs sont entièrement déchargés en mesurant la tension à l'aide d'un multimètre réglé pour mesurer la tension CC. Le non-respect de cette précaution peut entraîner la mort ou des blessures graves.

 AVERTISSEMENT

L'ouverture du dispositif de protection du circuit de dérivation peut indiquer que le courant de défaut a été interrompu. Pour réduire le risque d'incendie ou de choc électrique, les pièces porteuses de courant et les autres composants du contrôleur doivent être examinés et remplacés s'ils sont endommagés. Si l'élément de courant d'un relais de surcharge a grillé, le relais de surcharge doit être intégralement remplacé.

 AVERTISSEMENT

Le fonctionnement de cet équipement nécessite le respect des instructions d'installation et de fonctionnement détaillées fournies dans le manuel d'installation/de fonctionnement destiné à être utilisé avec ce produit. Ce support doit être conservé avec cet appareil à tout moment.

 AVERTISSEMENT

Avant de procéder à l'entretien de l'entraînement:

- Débrancher toute l'alimentation allant à l'entraînement, y compris l'alimentation de commande externe pouvant être présente
- Placer une étiquette « NE PAS UTILISER » sur le dispositif de déconnexion
- Verrouiller le dispositif de déconnexion en position ouverte. Le non-respect de ces instructions peut entraîner la mort ou des blessures graves.

 AVERTISSEMENT

Les sorties de l'entraînement (U, V, W) ne doivent pas être connectées à la tension d'entrée ni à l'alimentation secteur, car ceci pourrait gravement endommager l'appareil et causer un incendie.

 AVERTISSEMENT

Le dissipateur de chaleur et/ou le boîtier externe peuvent atteindre une température élevée.

Prêter attention aux avertissements signalant des dangers!

Surface brûlante - Risque de brûlure. NE PAS TOUCHER !

 AVERTISSEMENT

Dans un environnement domestique, ce produit peut provoquer des interférences radio, auquel cas des mesures d'atténuation supplémentaires peuvent être nécessaires.

Chapter 1—PowerXL DM1 Series overview

This chapter describes the purpose and contents of this manual, the receiving inspection recommendations and the PowerXL DM1 Series open drive catalog numbering system, and accessories available for the PowerXL DM1 Series.

Figure 1. Rating label.

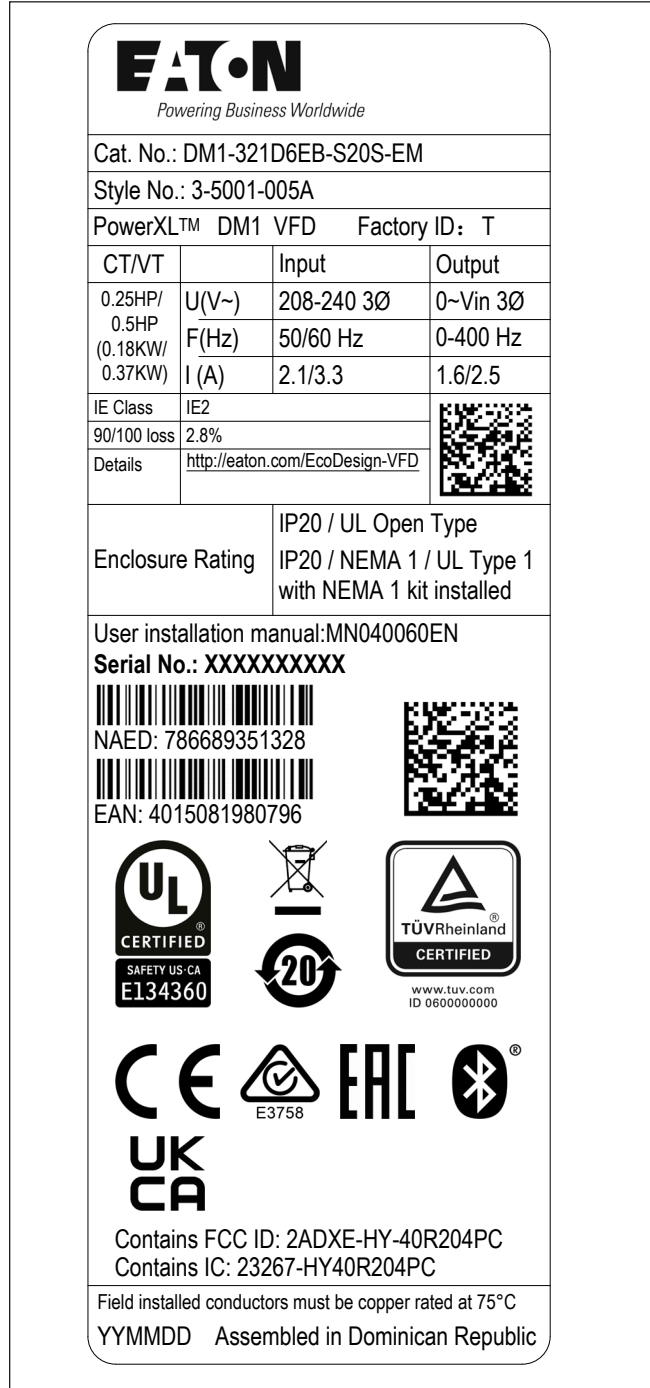


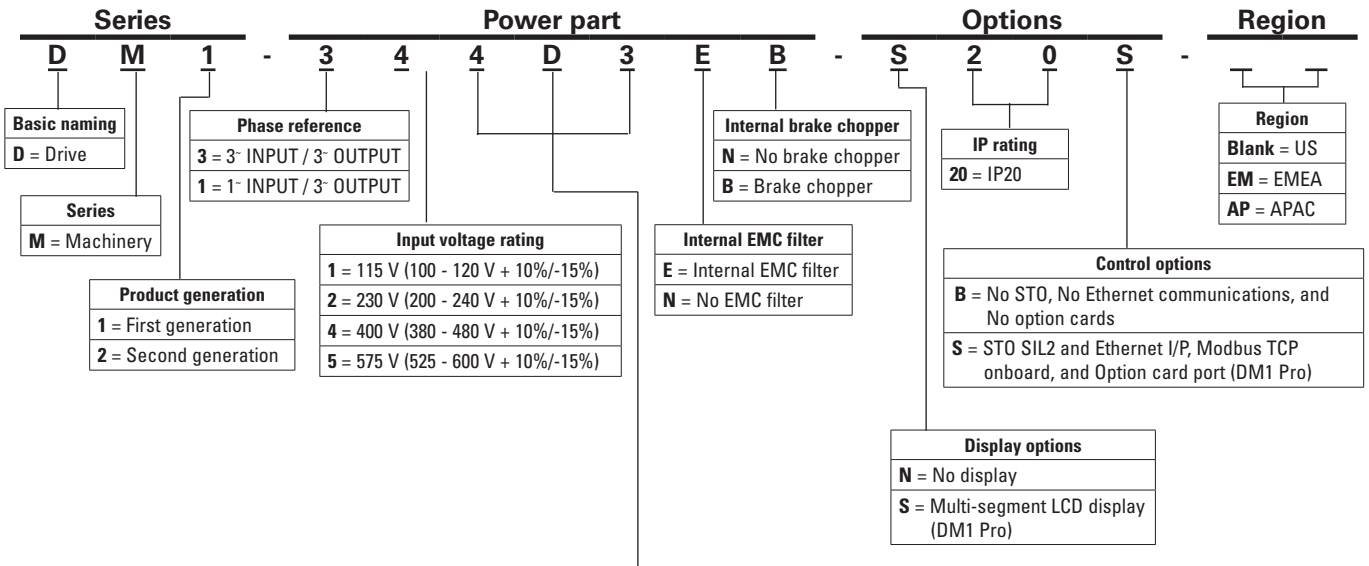
Table 1. Common abbreviations.

Abbreviation	Definition
CT	Constant torque with high overload rating (150%)
VT	Variable torque with low overload rating (110%)
I _H	High overload current (150%)
I _L	Low overload current (110%)
VFD	Variable Frequency Drive

Catalog number system

Figure 2 is for illustrative purposes only, please select a part number from the table below.

Figure 2. Catalog numbering system.



Output current rating (single phase input)		Output current rating (three phase input)		
100 - 120 v	200 - 240 v	200 - 240 v	380 - 480 v	525 - 600 v
1D6 = 1.6 A, 0.18 kW, 0.25 hp	1D6 = 1.6 A, 0.18 kW, 0.25 hp	1D6 = 1.6 A, 0.18 kW, 0.25 hp	1D5 = 1.5 A, 0.37 kW, 0.50 hp	4D5 = 4.5 A, 2.20 kW, 3.00 hp
3D0 = 3.0 A, 0.37 kW, 0.50 hp	3D0 = 3.0 A, 0.37 kW, 0.50 hp	3D0 = 3.0 A, 0.37 kW, 0.50 hp	2D2 = 2.2 A, 0.75 kW, 1.00 hp	7D5 = 7.5 A, 3.00 kW, 5.00 hp
4D8 = 4.8 A, 0.75 kW, 1.00 hp	4D8 = 4.8 A, 0.75 kW, 1.00 hp	4D8 = 4.8 A, 0.75 kW, 1.00 hp	4D3 = 4.3 A, 1.50 kW, 2.00 hp	010 = 10.0 A, 5.50 kW, 7.50 hp
6D9 = 6.9 A, 1.10 kW, 1.50 hp	7D8 = 7.8 A, 1.50 kW, 2.00 hp	7D8 = 7.8 A, 1.50 kW, 2.00 hp	5D6 = 5.6 A, 2.20 kW, 3.00 hp	013 = 13.5 A, 7.50 kW, 10.00 hp
	011 = 11.0 A, 2.20 kW, 3.00 hp	011 = 11.0 A, 2.20 kW, 3.00 hp	7D6 = 7.6 A, 3.00 kW, 5.00 hp	018 = 18.0 A, 11.00 kW, 15.00 hp
	017 = 17.5 A, 4.00 kW, 5.00 hp	017 = 17.5 A, 4.00 kW, 5.00 hp	012 = 12.0 A, 5.50 kW, 7.50 hp	022 = 22.0 A, 15.00 kW, 20.00 hp
		025 = 25.3 A, 5.50 kW, 7.50 hp	016 = 16.0 A, 7.50 kW, 10.00 hp	
		032 = 32.2 A, 7.50 kW, 10.00 hp	023 = 23.0 A, 11.00 kW, 15.00 hp	
		048 = 48.3 A, 11.00 kW, 15.00 hp	031 = 31.0 A, 15.00 kW, 20.00 hp	
			038 = 38.0 A, 18.50 kW, 25.00 hp	

Shading legend

FR1	FR2	FR3	FR4
-----	-----	-----	-----

DM1 option cards list:

- 1) DXM-NET-PROFIBUS : DM1 PROFIBUS communications card
- 2) DXM-NET-CANOPEN : DM1 CANOPEN communication card
- 3) DXG-NET-SWD-IP20 DM1/DG1: Smartwire communication card and module IP20
- 4) DXG-NET-SWD-IP54 DM1/DG1 : Smartwire communication card and module IP54

Power ratings and product selection

Table 2. PowerXL DM1 Series drives 230 V 3-phase input.

Frame size	Constant torque (CT)/high overload (I _n)			Variable torque (VT)/low overload (I _r)			No EMC Catalog number	With EMC Catalog number
	230 V, 50 Hz kW rating	230 V, 60 Hz hp	Current A	230 V, 50 Hz kW rating	230 V, 60 Hz hp	Current A		
FR1	0.18	0.25	1.6	0.37	0.5	2.5	DM1-321D6NB-N20B	DM1-321D6EB-N20B
	0.37	0.5	3	0.75	1	4.8	DM1-323D0NB-N20B	DM1-323D0EB-N20B
	0.75	1	4.8	1.5	2	7.8	DM1-324D8NB-N20B	DM1-324D8EB-N20B
	1.5	2	7.8	2.2	3	11	DM1-327D8NB-N20B	DM1-327D8EB-N20B
FR2	2.2	3	11	4	5	17.5	DM1-32011NB-N20B	DM1-32011EB-N20B
	4	5	17.5	5.5	7.5	25.3	DM1-32017NB-N20B	DM1-32017EB-N20B
FR3	5.5	7.5	25.3	7.5	10	32.2	DM1-32025NB-N20B	DM1-32025EB-N20B
FR4	7.5	10	32.2	11	15	48.3	DM1-32032NB-N20B	DM1-32032EB-N20B
	11	15	48.3	15	20	62.1	DM1-32048NB-N20B	DM1-32048EB-N20B

Table 3. PowerXL DM1 Series drives 480 V 3-phase input.

Frame size	Constant torque (CT)/high overload (I _n)			Variable torque (VT)/low overload (I _r)			No EMC Catalog number	With EMC Catalog number
	480 V, 50 Hz kW rating	480 V, 60 Hz hp	Current A	480 V, 50 Hz kW rating	480 V, 60 Hz hp	Current A		
FR1	0.37	0.5	1.5	0.75	1	2.2	DM1-341D5NB-N20B	DM1-341D5EB-N20B
	0.75	1	2.2	1.5	2	4.3	DM1-342D2NB-N20B	DM1-342D2EB-N20B
	1.5	2	4.3	2.2	3	5.6	DM1-344D3NB-N20B	DM1-344D3EB-N20B
	2.2	3	5.6	3	5	7.6	DM1-345D6NB-N20B	DM1-345D6EB-N20B
FR2	3	5	7.6	5.5	7.5	12	DM1-347D6NB-N20B	DM1-347D6EB-N20B
	5.5	7.5	12	7.5	10	16	DM1-34012NB-N20B	DM1-34012EB-N20B
	7.5	10	16	11	15	23	DM1-34016NB-N20B	DM1-34016EB-N20B
FR3	11	15	23	15	20	31	DM1-34023NB-N20B	DM1-34023EB-N20B
FR4	15	20	31	18.5	25	38	DM1-34031NB-N20B	DM1-34031EB-N20B
	18.5	25	38	22	30	46	DM1-34038NB-N20B	DM1-34038EB-N20B

Table 4. PowerXL DM1 PRO Series drives 115 V single phase input.

Frame size	Constant torque (CT)/high overload (I _n)			Variable torque (VT)/low overload (I _r)			No EMC Catalog number	With EMC Catalog number
	230 V, 50 Hz kW rating	230 V, 60 Hz hp	Current A	230 V, 50 Hz kW rating	230 V, 60 Hz hp	Current A		
FR1	0.18	0.25	1.6	0.37	0.5	2.5	DM1-111D6NB-S20S	DM1-111D6EB-S20S
	0.37	0.5	3	0.75	1	4.8	DM1-113D0NB-S20S	DM1-113D0EB-S20S
FR2	0.75	1	4.8	1.1	1.5	6.9	DM1-114D8NB-S20S	DM1-114D8EB-S20S
	1.1	1.5	6.9	1.5	2	7.8	DM1-116D9NB-S20S	DM1-116D9EB-S20S

Table 5. PowerXL DM1 PRO Series drives 230 V single phase input.

Frame size	Constant torque (CT)/high overload (I _H)			Variable torque (VT)/low overload (I _L)			No EMC Catalog number	With EMC Catalog number
	230 V, 50 Hz kW rating	230 V, 60 Hz hp	Current A	230 V, 50 Hz kW rating	230 V, 60 Hz hp	Current A		
FR1	0.18	0.25	1.6	0.37	0.5	2.5	DM1-121D6NB-S20S	DM1-121D6EB-S20S
	0.37	0.5	3	0.75	1	4.8	DM1-123D0NB-S20S	DM1-123D0EB-S20S
	0.75	1	4.8	1.5	2	7.8	DM1-124D8NB-S20S	DM1-124D8EB-S20S
FR2	1.5	2	7.8	2.2	3	11	DM1-127D8NB-S20S	DM1-127D8EB-S20S
	2.2	3	11	4	5	17.5	DM1-12011NB-S20S	DM1-12011EB-S20S
FR3	4	5	17.5	5.5	7.5	25.3	DM1-12017NB-S20S	DM1-12017EB-S20S

Table 6. PowerXL DM1 PRO Series drives 230 V 3-phase input.

Frame size	Constant torque (CT)/high overload (I _H)			Variable torque (VT)/low overload (I _L)			No EMC Catalog number	With EMC Catalog number
	230 V, 50 Hz kW rating	230 V, 60 Hz hp	Current A	230 V, 50 Hz kW rating	230 V, 60 Hz hp	Current A		
FR1	0.18	0.25	1.6	0.37	0.5	2.5	DM1-321D6NB-S20S	DM1-321D6EB-S20S
	0.37	0.5	3	0.75	1	4.8	DM1-323D0NB-S20S	DM1-323D0EB-S20S
	0.75	1	4.8	1.5	2	7.8	DM1-324D8NB-S20S	DM1-324D8EB-S20S
	1.5	2	7.8	2.2	3	11	DM1-327D8NB-S20S	DM1-327D8EB-S20S
FR2	2.2	3	11	4	5	17.5	DM1-32011NB-S20S	DM1-32011EB-S20S
	4	5	17.5	5.5	7.5	25.3	DM1-32017NB-S20S	DM1-32017EB-S20S
FR3	5.5	7.5	25.3	7.5	10	32.2	DM1-32025NB-S20S	DM1-32025EB-S20S
FR4	7.5	10	32.2	11	15	48.3	DM1-32032NB-S20S	DM1-32032EB-S20S
	11	15	48.3	15	20	62.1	DM1-32048NB-S20S	DM1-32048EB-S20S

Table 7. PowerXL DM1 PRO Series drives 480 V 3-phase input.

Frame size	Constant torque (CT)/high overload (I _H)			Variable torque (VT)/low overload (I _L)			No EMC Catalog number	With EMC Catalog number
	480 V, 50 Hz kW rating	480 V, 60 Hz hp	Current A	480 V, 50 Hz kW rating	480 V, 60 Hz hp	Current A		
FR1	0.37	0.5	1.5	0.75	1	2.2	DM1-341D5NB-S20S	DM1-341D5EB-S20S
	0.75	1	2.2	1.5	2	4.3	DM1-342D2NB-S20S	DM1-342D2EB-S20S
	1.5	2	4.3	2.2	3	5.6	DM1-344D3NB-S20S	DM1-344D3EB-S20S
	2.2	3	5.6	3	5	7.6	DM1-345D6NB-S20S	DM1-345D6EB-S20S
FR2	3	5	7.6	5.5	7.5	12	DM1-347D6NB-S20S	DM1-347D6EB-S20S
	5.5	7.5	12	7.5	10	16	DM1-34012NB-S20S	DM1-34012EB-S20S
	7.5	10	16	11	15	23	DM1-34016NB-S20S	DM1-34016EB-S20S
FR3	11	15	23	15	20	31	DM1-34023NB-S20S	DM1-34023EB-S20S
FR4	15	20	31	18.5	25	38	DM1-34031NB-S20S	DM1-34031EB-S20S
	18.5	25	38	22	30	46	DM1-34038NB-S20S	DM1-34038EB-S20S

Table 8. PowerXL DM1 PRO Series drives 575 V 3-phase input.

Frame size	Constant torque (CT)/high overload (I _h)			Variable torque (VT)/low overload (I _l)			No EMC Catalog number	With EMC Catalog number
	575 V, 50 Hz kW rating	575 V, 60 Hz hp	Current A	575 V, 50 Hz kW rating	575 V, 60 Hz hp	Current A		
FR2	2.2	3	4.5	3	5	7.5	DM1-354D5NB-S20S	DM1-354D5EB-S20S
	3	5	7.5	5.5	7.5	10	DM1-357D5NB-S20S	DM1-357D5EB-S20S
	5.5	7.5	10	7.5	10	13.5	DM1-35010NB-S20S	DM1-35010EB-S20S
FR3	7.5	10	13.5	11	15	18	DM1-35013NB-S20S	DM1-35013EB-S20S
FR4	11	15	18	15	20	22	DM1-35018NB-S20S	DM1-35018EB-S20S
	15	20	22	18.5	25	27	DM1-35022NB-S20S	DM1-35022EB-S20S

Accessories

Table 9. PowerXL Series - DM1 NEMA 1 conversion kits.

Description	Catalog number
DM1 FR1 NEMA 1 kit	DXM-ACC-FR1N1KIT
DM1 FR2 NEMA 1 kit	DXM-ACC-FR2N1KIT
DM1 FR3 NEMA 1 kit	DXM-ACC-FR3N1KIT
DM1 FR4 NEMA 1 kit	DXM-ACC-FR4N1KIT
DM1 FR1 Plenum Rated NEMA 1 Kit	DXM-ACC-FR1N1PKIT
DM1 FR2 Plenum Rated NEMA 1 Kit	DXM-ACC-FR2N1PKIT
DM1 FR3 Plenum Rated NEMA 1 Kit	DXM-ACC-FR3N1PKIT
DM1 FR4 Plenum Rated NEMA 1 Kit	DXM-ACC-FR4N1PKIT

Table 10. PowerXL Series - DM1 communication card kits.

Description	Catalog number
DG1/DM1 smartwire communication card and module IP20	DXG-NET-SWD-IP20
DG1/DM1 smartwire communication card and module IP54	DXG-NET-SWD-IP54
DM1 profibus communications card	DXM-NET-PROFIBUS
DM1 canopen communications card	DXM-NET-CANOPEN

Table 11. PowerXL Series - DM1 remote keypad kits.

Description	Catalog number
Remote keypad	DXG-KEY-LCD
Remote keypad mounting holder	DXG-KEY-HOLDER
DG1/DM1 remote keypad kit (3.0 m cable)	DXG-KEY-RMTKIT
DG1/DM1 remote keypad mounting holder only bulk pack (99)	DXG-KEY-HOLDER-BP

Table 12. PowerXL Series - DM1 demo units.

Description	Catalog number
Demo case DM1 PRO	DM1-DEMO

Table 13. PowerXpert in-control software.

Description	Catalog number
PC cable	DXG-CBL-PCCABLE

Chapter 2—Receiving and inspection

Service and warranty

In the unlikely event that you have a problem with your PowerXL frequency inverter, please contact your local sales office.

When you call, have the following information ready:

- the exact frequency inverter part no. (see nameplate) Filter in the switching cabinet doors (see manufacturer specifications);
- the date of purchase; and
- a detailed description of the problem that has occurred.

If some of the information printed on the nameplate is not legible, please state only the information that is clearly legible. This information can also be found on the cover of the control terminals.

Information concerning the guarantee can be found in the General Terms and Conditions of Sale.

Chapter 2—Receiving and inspection

The PowerXL DM1 VFD has met a stringent series of factory quality requirements before shipment. It is possible that packaging or equipment damage may have occurred during shipment. After receiving your PowerXL Series VFD, please check for the following:

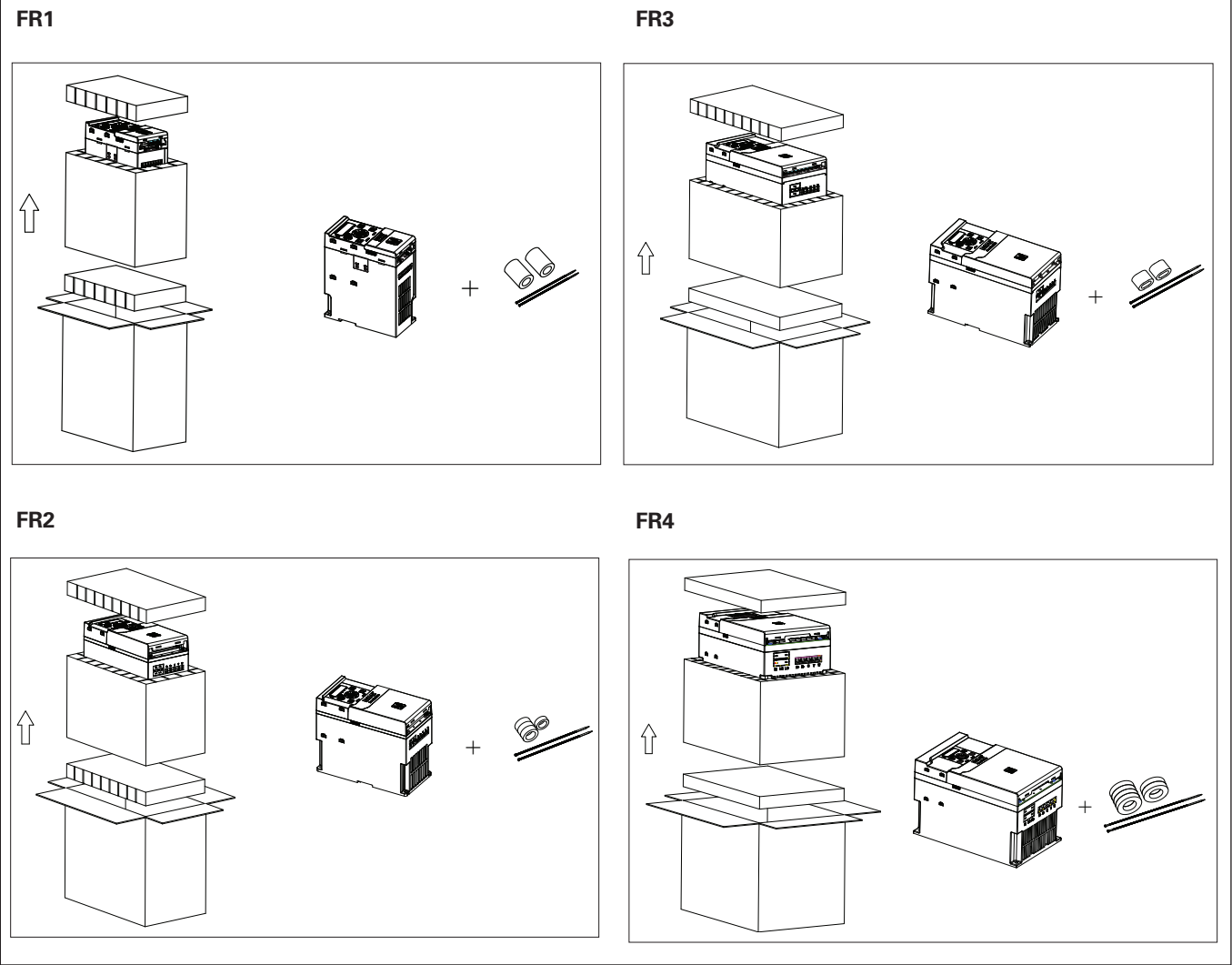
- Inspect the unit to ensure it was not damaged during shipment.
- Make sure that the part number indicated on the nameplate corresponds with the catalog number on your order.
- If shipping damage has occurred, please contact and file a claim with the carrier involved immediately.
- If the delivery does not correspond to your order, please contact your representative.

The magnetic cores and cable ties are only included in EMI version drive.

Unpacking

Lift the drive out from the carton and remove the packaging.

Figure 3. Unpacking FR1, FR2, FR3, and FR4.



Chapter 2—Receiving and inspection

Proper use

The PowerXL frequency inverters are electrical apparatus for controlling variable speed drives with 3-phase motors. They are designed for installation in machines or for use in combination with other components within a machine or system.

After installation in a machine, the frequency inverters must not be taken into operation until the associated machine has been confirmed to comply with the safety requirements of Machinery Directive (MD) 2006/42/EC (meets the requirements of EN 60204-1). The user of the equipment is responsible for ensuring that the machine use complies with the relevant EU Directives.

The CE markings on the PowerXL frequency inverter confirm that, when used in a typical drive configuration, the apparatus complies with the relevant EU Directives listed in Appendix F.

The UKCA markings on the PowerXL frequency inverter confirm that, when used in a typical drive configuration, the apparatus complies with the relevant UK Regulations listed in Appendix F.

In the described system configurations, PowerXL frequency inverters are suitable for use in public and non-public networks.

Note: If use in public networks, please contact Eaton for further information.

A connection to IT networks (networks without reference to earth potential) is permissible only to a limited extent, because the device's built-in filter capacitors connect the network with the earth potential (enclosure). On earth free networks, this can lead to dangerous situations or damage to the device (isolation monitoring required).

To the output of the frequency inverter (terminals U, V, W) you must not:

- connect a voltage or capacitive loads (for example, phase compensation capacitors);
- connect multiple frequency inverters in parallel; or
- make a direct connection to the input (bypass).

Observe the technical data and connection requirements. For additional information, refer to the equipment nameplate or label at the frequency inverter, and the documentation.

Any other usage constitutes improper use.

Maintenance and inspection

PowerXL frequency inverters are maintenance free. However, external influences may affect the function and the lifespan of the PowerXL frequency inverter. We therefore recommend that the devices are checked regularly and the following maintenance measures are carried out at the specified intervals.

If the PowerXL frequency inverter is damaged by external influences, contact Technical Service.

Table 14. Maintenance measures and intervals.

Maintenance measure	Maintenance interval
Clean cooling vents (cooling slits)	If required
Check the fan function	6–24 months (depending on the environment)
Filter in the switching cabinet doors (see manufacturer specifications)	6–24 months (depending on the environment)
Check the tightening torques of the terminals (control signal terminals, power terminals)	Regularly
Check connection terminals and all metallic surfaces for corrosion	6–24 months (depending on the environment)

Storage

If the frequency inverter is stored before use, suitable ambient conditions must be ensured at the site of storage:

- Storage temperature: –40°F to 158°F (–40°C to 70°C);
- Relative average air humidity: <95%, noncondensing, non-corrosive; and
- To prevent damage to the DC link capacitors, storage times longer than 12 months are not recommended.

Charging the internal DC link capacitors

After extended storage times or extended downtimes during which no power is supplied (>12 months), the capacitors in the internal DC link must be recharged in a controlled manner in order to prevent damage. To do this, the PowerXL variable frequency drive must be supplied with power, with a controlled DC power supply unit, via two mains DC bus connection terminals. Please consult the factory for detailed instructions.

Chapter 3—Engineering considerations

Introduction

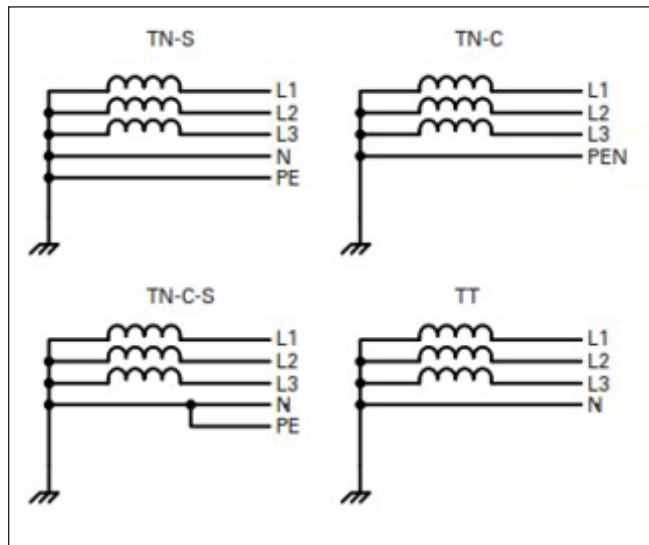
This chapter describes the most important features in the energy circuit of a drive system that you should take into consideration in your project planning.

Electrical power network

Input connection and configuration

The PowerXL Series frequency inverters can be connected and operated with all control-point grounded AC power networks (see IEC 60364 for more information).

Figure 4. AC power networks with grounded neutral point (TN-/TT networks).



The frequency inverter can be applied to all types of power networks above. If multiple frequency inverters with single-phase supplies are to be connected, a symmetrical distribution to the three external conductors shall be taken into account. In addition, the total current of all single-phase consumers is not to cause an overload of the neutral conductor (N-conductor).

The connection and operation of frequency inverters to asymmetrically grounded TN networks (phase-grounded delta network "Grounded Delta"; USA) or neutral point ungrounded or high-resistance grounded (>30 ohms) IT networks is only conditionally permissible. In these networks above-mentioned, the internal interference suppression filter of frequency inverter must be disconnected (unscrew the screw marked 'EMC', see "Installation in corner-grounded network and IT System" on page 52). Then the required filtering for EMC (electromagnetic compatibility) is no longer present (degrade to level C4).

Measures for EMC are mandatory in a drive system in order to meet the legal requirements for EMC and low voltage regulations.

Good grounding measures are a prerequisite for the effective insert of further measures such as shielding of filters. Without respective grounding measures, further steps are superfluous.

Input voltage and frequency

The standardized input voltages (IEC 60038, VDE017-1) for energy suppliers (EVU) guarantee the following conditions at the transition points:

- Deviation from the rated value of voltage: Max. +10%/-15%;
- Deviation in voltage phase balance: Max. $\pm 3\%$;
- Deviation from rated value of the frequency: Max. ± 5 Hz.

The board tolerance band of the PowerXL Series frequency inverter considers the rated value for:

European as (EU: ULN = 230 V/400 V, 50 Hz);

American as (USA: ULN = 240 V/480 V, 60 Hz); and

Canada as (CAN: ULN = 600 V, 60 Hz) standard voltages:

- make a direct connection to the input (bypass).

Observe the technical data and connection requirements. For additional information, refer to the equipment nameplate or label at the frequency inverter, and the documentation.

Any other usage constitutes improper use.

Input contactor

The input contactor enables an operational switching on and off the supply voltage for the frequency inverter and switching off in case of a fault.

The input contactor is designed based on the input current (ILN) of the frequency inverter and the utilization category AC-1 (IEC 60947).

While planning the project, make sure that inching operation is not done via the input contactor of the frequency inverter on frequency-controlled drives, but through a controller input of the frequency inverter.

The maximum permitted operating frequency of the input voltage with the PowerXL frequency inverter is one time per minute (normal operation).

Total harmonic distortion (THD)

Non-linear consumers (loads) in an AC supply system produce harmonic voltages that again result in harmonic currents. These harmonic currents at the inductive and capacitive reactance's of a mains supply system produce additional voltage drops with different values that are then overlaid on the sinusoidal mains voltage and result in distortions. In supply systems, this form of "noise" can give rise to problems in an installation if the sum of the harmonics exceeds certain limit values.

Chapter 3—Engineering considerations

Non-linear consumers (harmonics producers) include for example:

- Induction and arc furnaces, welding devices;
- Current converters, rectifiers and inverters, soft starters, variable frequency drives;
- Switched-mode power supply units (computers, monitors, lighting), uninterruptible power supply (UPS); and
- The THD value (THD = Total Harmonic Distortion) is defined in standard IEC/EN 61800-3 as the ratio of the rms value of all harmonic components to the rms value of the fundamental frequency. It is given in percent of the total value.

$$\text{THD} = \frac{\sqrt{U_2^2 + U_3^2 + U_4^2 + \dots + U_n^2}}{U_1} \times 100\%$$

U_1 — fundamental component

U_n — n^{th} order harmonic component

The THD value of the harmonic distortion is stated in relation to the rms value of the total signal as a percentage. On a variable frequency drive, the total harmonic distortion is greater than 100%.

To assist in the calculation of system harmonics, a Harmonic Estimation Calculator Tool is available at www.eaton.com/drives.

Reactive power compensation devices

In the AC power networks with non-filtered reactive current compensation devices, current deviations can enable parallel resonance and undefinable circumstances.

In the project planning for the connection of frequency inverters to AC power networks with undefined circumstances, please consider using line reactors. Line reactors can improve power factor and reduce harmonic currents. Or, the AC power networks can be evaluated at a system level to filter the whole installation.

Installation in corner-grounded network and IT system

Corner grounded and IT system are allowed for all the drive types.

In these circumstances the EMC protection class must be changed to level C4. This is done by removing the built-in EMC/MOV screws with a simple procedure described as follows.

Remove the main cover of the AC drive and remove the EMC/MOV screws depending on frame size (see **Figure 5–Figure 6**). Once the screw is removed, it can be reconnected to re-engage the EMC protection.

Figure 5. Location of the EMC/MOV screws in frame 1.

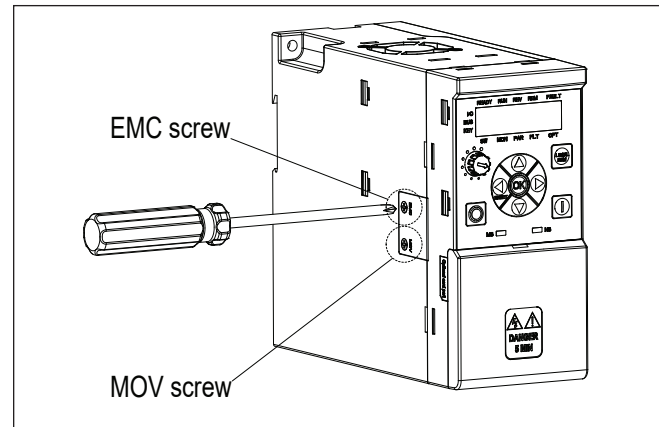
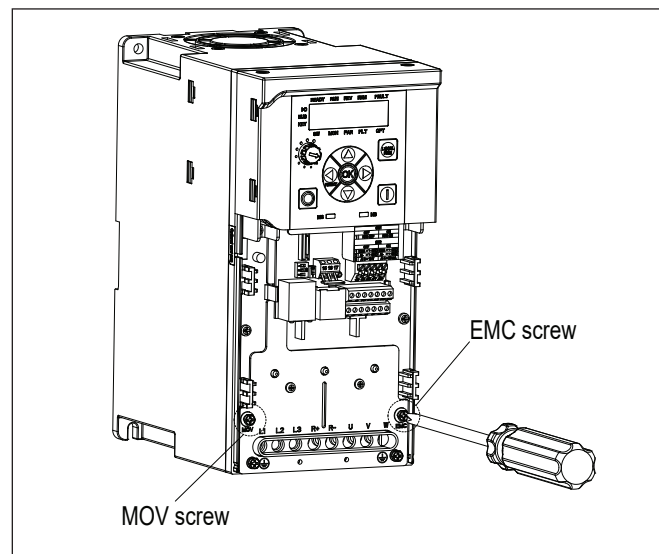


Figure 6. Location of the EMC/MOV screws in frames 2-4.



Chapter 4—Mechanical installation

Note: All following information is strongly recommended but is not necessary if sufficient system design and validation has been completed.

This chapter contains all of the information required to properly install and prepare the PowerXL Series VFD for operation. The contents are listed to serve as a list of tasks needed to complete the installation. Included in this section are:

- Installation environment;
- Standard mounting position and clearance;
- Option card installation;
- NEMA 1 kit installation; and
- Remote mount keypad kit installation.

Electrical installation warnings and cautions

WARNING

Carry out wiring work only after the frequency inverter has been correctly mounted and secured.

WARNING

Electric shock hazard—risk of injuries!

Carry out wiring work only if the unit is de-energized.

CAUTION

Debounced inputs may not be used in the safety circuit diagram.

Fire hazard!

Only use cables, protective switches, and contactors that feature the indicated permissible nominal current value.

CAUTION

Debounced inputs may not be used in the safety circuit diagram.

According to product standard IEC/EN 61800-5-1, an additional equipment grounding (PE) conductor of the same cross-sectional area as the original protective earthing conductor must be connected, or the cross-section of the equipment grounding conductor must be at least 10 mm² Cu.

WARNING

The components in the drive's power section remain energized after the supply voltage has been switched off. After disconnecting the supply, wait at least five minutes before removing the cover to allow the intermediate circuit capacitors to discharge.

Pay attention to hazard warnings!

Standard mounting instructions

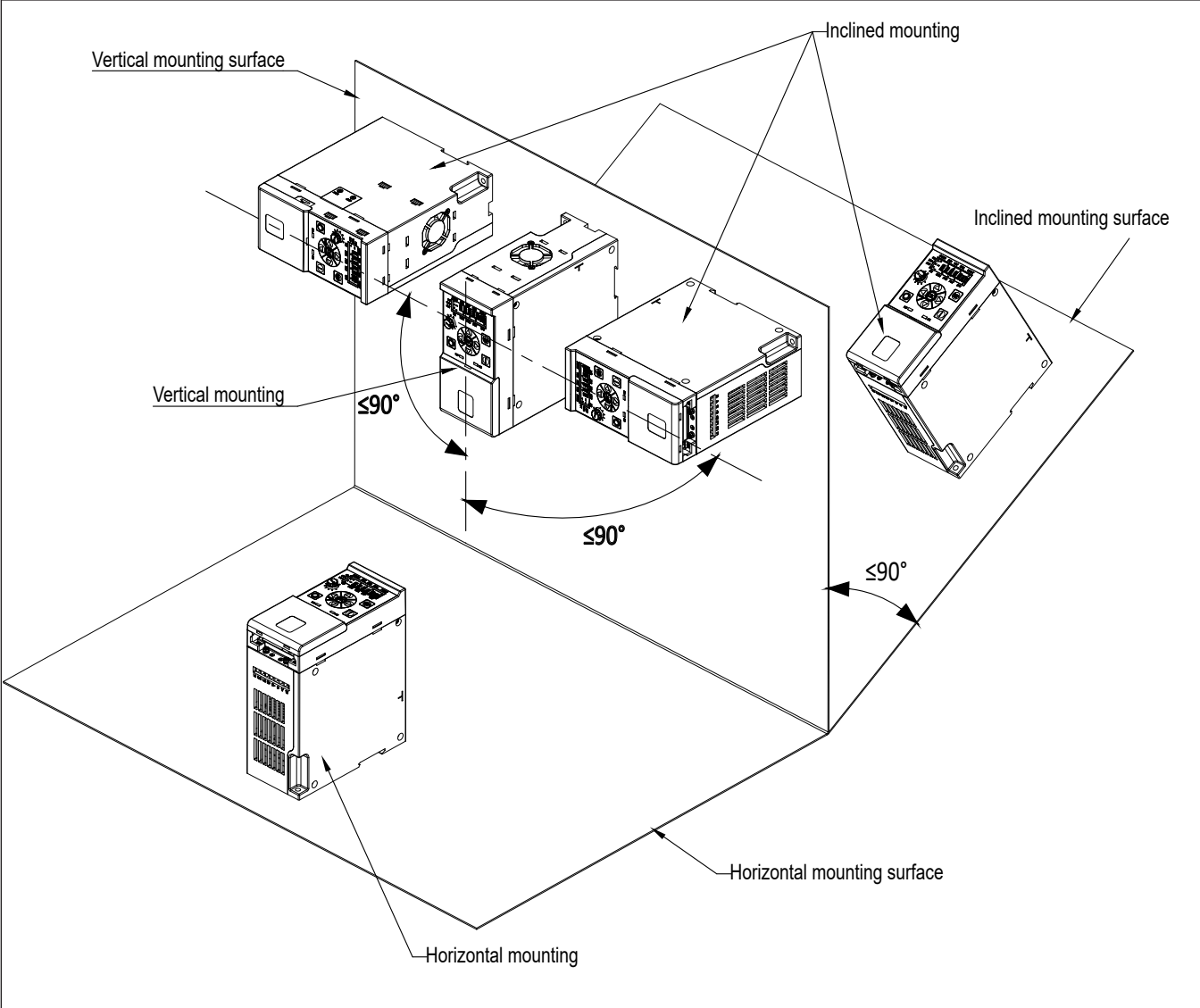
- Select the mounting location based on requirements listed in this chapter.
 - Mounting surface must be a flat, non flammable surface. Mounting orientation can be vertical, horizontal or inclined (refer to mounting orientation illustration **Figure 7**).
- DIN rail mounting is only applicable for vertical mounting, while screw mounting is applicable for vertical mounting, horizontal mounting and inclined mounting.
- PowerXL Series open drives may be mounted side-by-side or stacked vertically, as outlined in this chapter.
 - Surface must be strong enough to support the drive and not subject to excessive motion or vibration.
 - Mark the location of the mounting holes on the mounting surface.
 - Using fasteners appropriate to your VFD and mounting surface, securely attach the VFD to the mounting surface using all mounting hole locations.

When mounting one unit above the other, the lower unit air outlet must be directed away from the inlet air used by the upper one. The clearance between the upper and lower unit should equal C + D. See illustrations above **Table 16**.

Mounting dimensions

Refer to Appendix C for drive dimensions.

Figure 7. Mounting orientation.



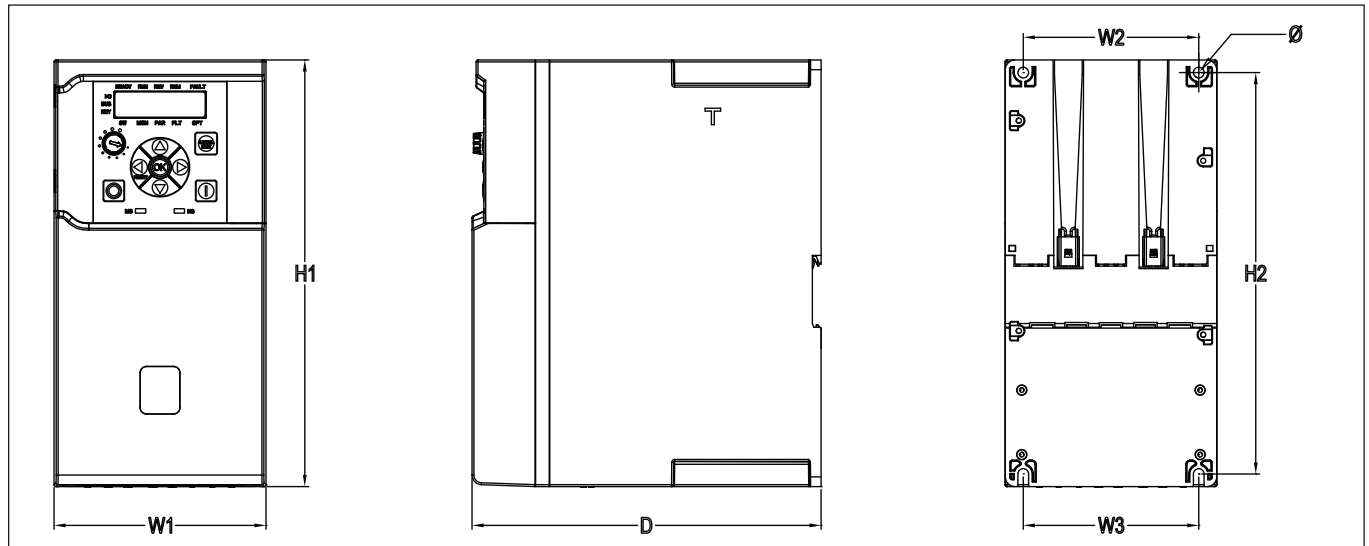


Table 15. Approximate mounting dimensions in inches (mm).

Input voltage	Frame size	Drive catalog number	Output rating		Dimensions							Weight	
			CT/IH current amps	VT/IL current amps	D in. (mm)	H1 in. (mm)	H2 in. (mm)	W1 in. (mm)	W2 in. (mm)	W3 in. (mm)	Φ in. (mm)	lb (kg)	
100 Vac to 120 Vac 50/60 Hz 1-phase	FR1	DM1-111D6	1.6	2.5	7.09 (180)	5.98 (152)	5.51 (140)	2.83 (72)	2.26 (57.5)	2.26 (57.5)	0.20 (5.2)	2.6 (1.2)	
		DM1-113D0	3	4.8	7.09 (180)	5.98 (152)	5.51 (140)	2.83 (72)	2.26 (57.5)	2.26 (57.5)	0.20 (5.2)	2.6 (1.2)	
	FR2	DM1-114D8	4.8	6.9	7.09 (180)	8.66 (220)	8.15 (207)	4.29 (109)	3.56 (90.5)	3.56 (90.5)	0.22 (5.5)	5.7 (2.6)	
		DM1-116D9	6.9	7.8	7.09 (180)	8.66 (220)	8.15 (207)	4.29 (109)	3.56 (90.5)	3.56 (90.5)	0.22 (5.5)	5.7 (2.6)	
200 Vac to 240 Vac 50/60 Hz 1-phase	FR1	DM1-121D6	1.6	2.5	7.09 (180)	5.98 (152)	5.51 (140)	2.83 (72)	2.26 (57.5)	2.26 (57.5)	0.20 (5.2)	2.6 (1.2)	
		DM1-123D0	3	4.8	7.09 (180)	5.98 (152)	5.51 (140)	2.83 (72)	2.26 (57.5)	2.26 (57.5)	0.20 (5.2)	2.6 (1.2)	
		DM1-124D8	4.8	7.8	7.09 (180)	5.98 (152)	5.51 (140)	2.83 (72)	2.26 (57.5)	2.26 (57.5)	0.20 (5.2)	2.6 (1.2)	
	FR2	DM1-127D8	7.8	11	7.09 (180)	8.66 (220)	8.15 (207)	4.29 (109)	3.56 (90.5)	3.56 (90.5)	0.22 (5.5)	5.7 (2.6)	
		DM1-12011	11	17.5	7.09 (180)	8.66 (220)	8.15 (207)	4.29 (109)	3.56 (90.5)	3.56 (90.5)	0.22 (5.5)	5.7 (2.6)	
	FR3	DM1-12017	17.5	25.3	7.09 (180)	10.24 (260)	9.72 (247)	5.12 (130)	4.57 (116)	4.57 (116)	0.22 (5.5)	8.2 (3.7)	
200 Vac to 240 Vac 50/60 Hz 3-phase	FR1	DM1-321D6	1.6	2.5	7.09 (180)	5.98 (152)	5.51 (140)	2.83 (72)	2.26 (57.5)	2.26 (57.5)	0.20 (5.2)	2.6 (1.2)	
		DM1-323D0	3	4.8	7.09 (180)	5.98 (152)	5.51 (140)	2.83 (72)	2.26 (57.5)	2.26 (57.5)	0.20 (5.2)	2.6 (1.2)	
		DM1-324D8	4.8	7.8	7.09 (180)	5.98 (152)	5.51 (140)	2.83 (72)	2.26 (57.5)	2.26 (57.5)	0.20 (5.2)	2.6 (1.2)	
		DM1-327D8	7.8	11	7.09 (180)	5.98 (152)	5.51 (140)	2.83 (72)	2.26 (57.5)	2.26 (57.5)	0.20 (5.2)	2.6 (1.2)	
	FR2	DM1-32011	11	17.5	7.09 (180)	8.66 (220)	8.15 (207)	4.29 (109)	3.56 (90.5)	3.56 (90.5)	0.22 (5.5)	5.7 (2.6)	
		DM1-32017	17.5	25.3	7.09 (180)	8.66 (220)	8.15 (207)	4.29 (109)	3.56 (90.5)	3.56 (90.5)	0.22 (5.5)	5.7 (2.6)	
	FR3	DM1-32025	25.3	32.2	7.09 (180)	10.24 (260)	9.72 (247)	5.12 (130)	4.57 (116)	4.57 (116)	0.22 (5.5)	8.2 (3.7)	
	FR4	DM1-32032	32.2	48.3	7.68 (195)	11.81 (300)	11.06 (281)	7.24 (184)	6.3 (160)	6.3 (160)	0.24 (6)	13.9 (6.3)	
		DM1-32048	48.3	62.1	7.68 (195)	11.81 (300)	11.06 (281)	7.24 (184)	6.3 (160)	6.3 (160)	0.24 (6)	13.9 (6.3)	

Table 15. Approximate mounting dimensions in inches (continued).

Input voltage	Frame size	Drive catalog number	Output rating		Dimensions						Weight	
			CT/IH current amps	VT/IL current amps	D in. (mm)	H1 in. (mm)	H2 in. (mm)	W1 in. (mm)	W2 in. (mm)	W3 in. (mm)	Φ in. (mm)	lb (kg)
380 Vac to 480 Vac 50/60 Hz 3-phase	FR1	DM1-341D5	1.5	2.2	7.09 (180)	5.98 (152)	5.51 (140)	2.83 (72)	2.26 (57.5)	2.26 (57.5)	0.20 (5.2)	2.6 (1.2)
		DM1-342D2	2.2	4.3	7.09 (180)	5.98 (152)	5.51 (140)	2.83 (72)	2.26 (57.5)	2.26 (57.5)	0.20 (5.2)	2.6 (1.2)
		DM1-344D3	4.3	5.6	7.09 (180)	5.98 (152)	5.51 (140)	2.83 (72)	2.26 (57.5)	2.26 (57.5)	0.20 (5.2)	2.6 (1.2)
		DM1-345D6	5.6	7.6	7.09 (180)	5.98 (152)	5.51 (140)	2.83 (72)	2.26 (57.5)	2.26 (57.5)	0.20 (5.2)	2.6 (1.2)
	FR2	DM1-347D6	7.6	12	7.09 (180)	8.66 (220)	8.15 (207)	4.29 (109)	3.56 (90.5)	3.56 (90.5)	0.22 (5.5)	5.7 (2.6)
		DM1-34012	12	16	7.09 (180)	8.66 (220)	8.15 (207)	4.29 (109)	3.56 (90.5)	3.56 (90.5)	0.22 (5.5)	5.7 (2.6)
		DM1-34016	16	23	7.09 (180)	8.66 (220)	8.15 (207)	4.29 (109)	3.56 (90.5)	3.56 (90.5)	0.22 (5.5)	5.7 (2.6)
	FR3	DM1-34023	23	31	7.09 (180)	10.24 (260)	9.72 (247)	5.12 (130)	4.57 (116)	4.57 (116)	0.22 (5.5)	8.2 (3.7)
	FR4	DM1-34031	31	38	7.68 (195)	11.81 (300)	11.06 (281)	7.24 (184)	6.3 (160)	6.3 (160)	0.24 (6)	13.9 (6.3)
		DM1-34038	38	46	7.68 (195)	11.81 (300)	11.06 (281)	7.24 (184)	6.3 (160)	6.3 (160)	0.24 (6)	13.9 (6.3)
525 Vac to 600 Vac 50/60 Hz 3-phase	FR2	DM1-354D5	4.5	7.5	7.09 (180)	8.66 (220)	8.15 (207)	4.29 (109)	3.56 (90.5)	3.56 (90.5)	0.22 (5.5)	5.7 (2.6)
		DM1-357D5	7.5	10	7.09 (180)	8.66 (220)	8.15 (207)	4.29 (109)	3.56 (90.5)	3.56 (90.5)	0.22 (5.5)	5.7 (2.6)
		DM1-35010	10	13.5	7.09 (180)	8.66 (220)	8.15 (207)	4.29 (109)	3.56 (90.5)	3.56 (90.5)	0.22 (5.5)	5.7 (2.6)
	FR3	DM1-35013	13.5	18	7.09 (180)	10.24 (260)	9.72 (247)	5.12 (130)	4.57 (116)	4.57 (116)	0.22 (5.5)	8.2 (3.7)
	FR4	DM1-35018	18	22	7.68 (195)	11.81 (300)	11.06 (281)	7.24 (184)	6.3 (160)	6.3 (160)	0.24 (6)	13.9 (6.3)
		DM1-35022	22	27	7.68 (195)	11.81 (300)	11.06 (281)	7.24 (184)	6.3 (160)	6.3 (160)	0.24 (6)	13.9 (6.3)

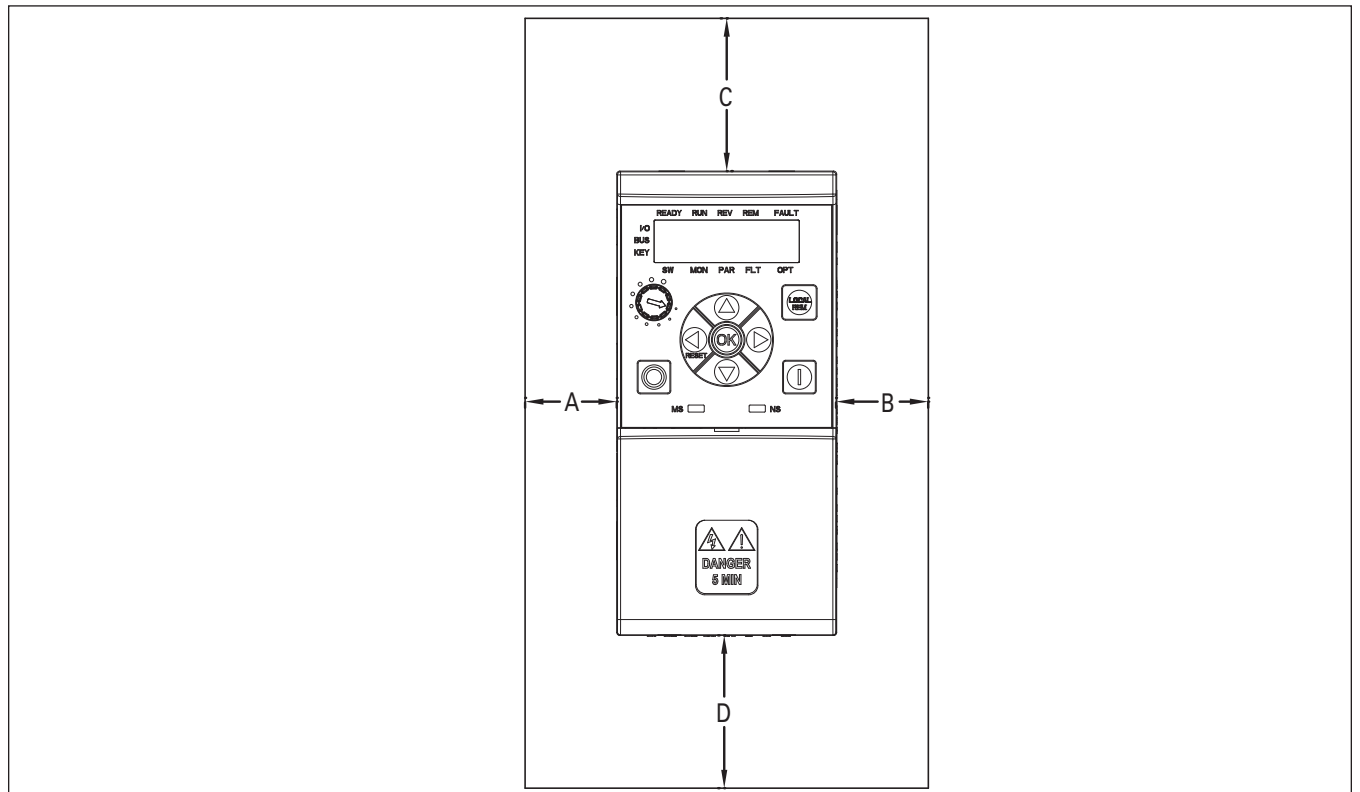


Table 16. Approximate space requirements in inches (mm).

Input voltage	Frame size	Drive catalog number	Output rating		Mounting clearance imperial				Airflow
			CT/IH current amps	VT/IL current amps	A in. (mm)	B in. (mm)	C in. (mm)	D in. (mm)	CFM (m3/h)
100 Vac to 120 Vac, 50/60 Hz 1-phase	FR1	DM1-111D6...	1.6	2.5	0 (0)/2.76 (70)*	0	1.97 (50)	1.97 (50)	14.83 (25.2)
		DM1-113D0...	3	4.8	0 (0)/2.76 (70)*	0	1.97 (50)	1.97 (50)	14.83 (25.2)
	FR2	DM1-114D8...	4.8	6.9	0 (0)/2.76 (70)*	0	1.97 (50)	1.97 (50)	24.72 (42)
		DM1-116D9...	6.9	7.8	0 (0)/2.76 (70)*	0	1.97 (50)	1.97 (50)	24.72 (42)
200 Vac to 240 Vac, 50/60 Hz 1-phase	FR1	DM1-121D6...	1.6	2.5	0 (0)/2.76 (70)*	0	1.97 (50)	1.97 (50)	14.83 (25.2)
		DM1-123D0...	3	4.8	0 (0)/2.76 (70)*	0	1.97 (50)	1.97 (50)	14.83 (25.2)
		DM1-124D8...	4.8	7.8	0 (0)/2.76 (70)*	0	1.97 (50)	1.97 (50)	14.83 (25.2)
	FR2	DM1-127D8...	7.8	11	0 (0)/2.76 (70)*	0	1.97 (50)	1.97 (50)	37.43 (63.6)
		DM1-12011...	11	17.5	0 (0)/2.76 (70)*	0	1.97 (50)	1.97 (50)	37.43 (63.6)
200 Vac to 240 Vac, 50/60 Hz 3-phase	FR1	DM1-12017...	17.5	25.3	0 (0)/2.76 (70)*	0	1.97 (50)	1.97 (50)	42.37 (72)
		DM1-321D6...	1.6	2.5	0 (0)/2.76 (70)*	0	1.97 (50)	1.97 (50)	14.83 (25.2)
		DM1-323D0...	3	4.8	0 (0)/2.76 (70)*	0	1.97 (50)	1.97 (50)	14.83 (25.2)
		DM1-324D8...	4.8	7.8	0 (0)/2.76 (70)*	0	1.97 (50)	1.97 (50)	14.83 (25.2)
	FR2	DM1-327D8...	7.8	11	0 (0)/2.76 (70)*	0	1.97 (50)	1.97 (50)	14.83 (25.2)
		DM1-32011...	11	17.5	0 (0)/2.76 (70)*	0	1.97 (50)	1.97 (50)	24.72 (42)
		DM1-32017...	17.5	25.3	0 (0)/2.76 (70)*	0	1.97 (50)	1.97 (50)	24.72 (42)
		DM1-32025...	25.3	32.2	0 (0)/2.76 (70)*	0	1.97 (50)	1.97 (50)	42.37 (72)
FR4	DM1-32032...	32.2	48.3	0 (0)/2.76 (70)*	0	1.97 (50)	1.97 (50)	75.56 (128.4)	
	DM1-32048...	48.3	62.1	0 (0)/2.76 (70)*	0	1.97 (50)	1.97 (50)	75.56 (128.4)	

Table 16. Approximate space requirements in inches (mm) (continued).

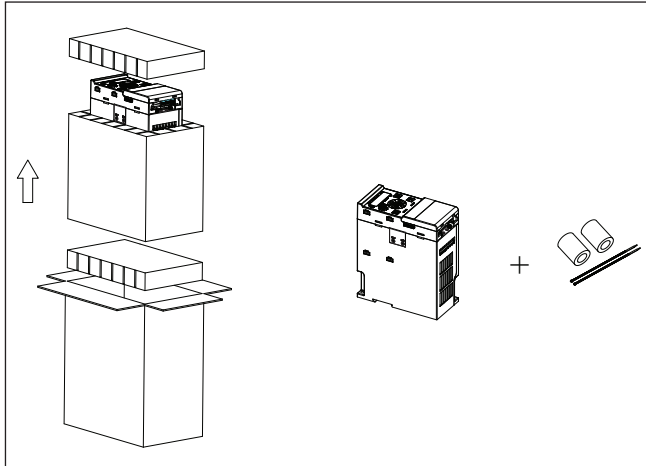
Input voltage	Frame size	Drive catalog number	Output rating		Mounting clearance imperial				Airflow
			CT/IH current amps	VT/IL current amps	A in. (mm)	B in. (mm)	C in. (mm)	D in. (mm)	CFM (m3/h)
380 Vac to 480 Vac, 50/60 Hz 3-phase	FR1	DM1-341D5...	1.5	2.2	0 (0)/2.76 (70)*	0	1.97 (50)	1.97 (50)	14.83 (25.2)
		DM1-342D2...	2.2	4.3	0 (0)/2.76 (70)*	0	1.97 (50)	1.97 (50)	14.83 (25.2)
		DM1-344D3...	4.3	5.6	0 (0)/2.76 (70)*	0	1.97 (50)	1.97 (50)	14.83 (25.2)
		DM1-345D6...	5.6	7.6	0 (0)/2.76 (70)*	0	1.97 (50)	1.97 (50)	14.83 (25.2)
	FR2	DM1-347D6...	7.6	12	0 (0)/2.76 (70)*	0	1.97 (50)	1.97 (50)	37.43 (63.6)
		DM1-34012...	12	16	0 (0)/2.76 (70)*	0	1.97 (50)	1.97 (50)	37.43 (63.6)
		DM1-34016...	16	23	0 (0)/2.76 (70)*	0	1.97 (50)	1.97 (50)	37.43 (63.6)
	FR3	DM1-34023...	23	31	0 (0)/2.76 (70)*	0	1.97 (50)	1.97 (50)	58.61 (99.6)
FR4	DM1-34031...	31	38	0 (0)/2.76 (70)*	0	1.97 (50)	1.97 (50)	57.56 (97.8)	
	DM1-34038...	38	46	0 (0)/2.76 (70)*	0	1.97 (50)	1.97 (50)	57.56 (97.8)	
525 Vac to 600 Vac, 50/60 Hz 3-phase	FR2	DM1-354D5...	4.5	7.5	0 (0)/2.76 (70)*	0	1.97 (50)	1.97 (50)	37.43 (63.6)
		DM1-357D5...	7.5	10	0 (0)/2.76 (70)*	0	1.97 (50)	1.97 (50)	37.43 (63.6)
		DM1-35010...	10	13.5	0 (0)/2.76 (70)*	0	1.97 (50)	1.97 (50)	37.43 (63.6)
	FR3	DM1-35013...	13.5	18	0 (0)/2.76 (70)*	0	1.97 (50)	1.97 (50)	42.37 (72)
	FR4	DM1-35018...	18	22	0 (0)/2.76 (70)*	0	1.97 (50)	1.97 (50)	57.56 (97.8)
		DM1-35022...	22	27	0 (0)/2.76 (70)*	0	1.97 (50)	1.97 (50)	57.56 (97.8)

Note: For DM1 drives with option cards, allow 2.76 in. or 70 mm for dimension A for the option card enclosure.

FR1 mounting instructions

Step 1.

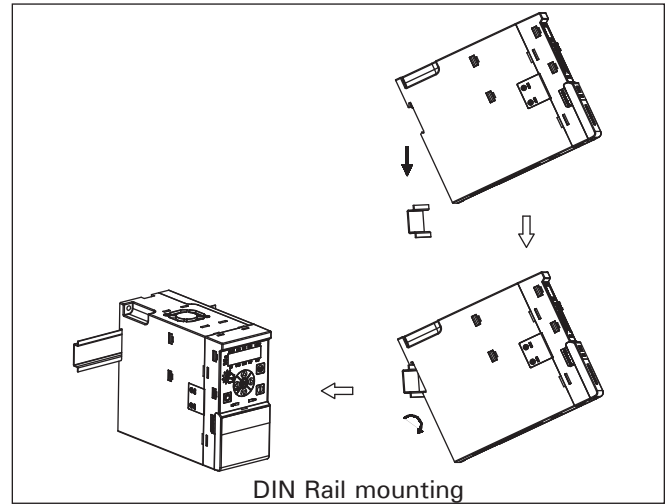
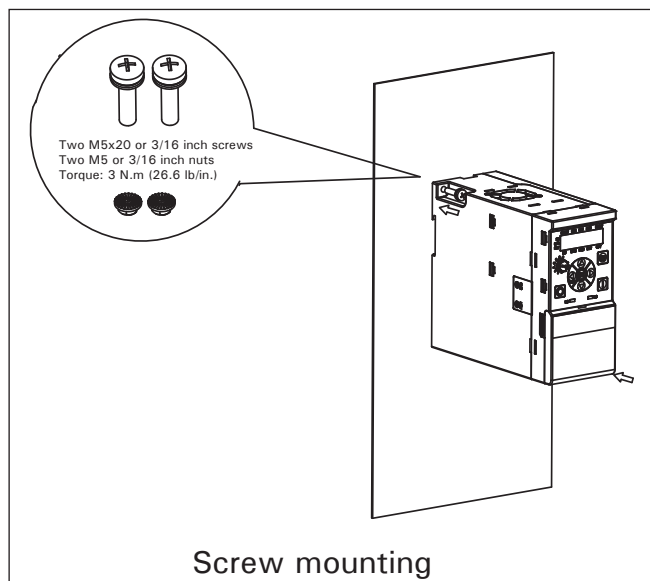
Lift the drive out from the carton and remove the packaging. The magnetic cores and cable ties are only included in EMI version drive.



Step 2.

Screw mounting: Attach the drive to the mounting plate with two M5x20 (or 3/16 in.) screws and two M5 (or 3/16 in.) nuts. The opening dimension on the mounting plate should follow required dimension (refer to the dimension drawing in Table 1 of this document).

DIN Rail mounting: Lift the drive at an angle about 30 degrees. Align the top hooks of drive DIN rail mounting slot with DIN rail top edge. Push down and rotate the drive to clip the bottom hooks on the bottom DIN rail edge.



Step 3. EMI version only. (Refer to Table 17 for input/output wiring.):

Input wiring:

- 1P FR1 EMI version: Run the input wires (two line wires + one grounding wire) through the input magnetic core before connecting to the input terminal block (L2/L3) and grounding hole. Tie the input magnetic core to the input wires with a cable tie.
- 3P 230/480 V FR1 EMI version: Run the input wires (three line wires + one grounding wire) through the input magnetic core before connecting to the input terminal block (L1/L2/L3) and grounding hole. Tie the input magnetic core to the input wires with a cable tie.

Output wiring:

- All1P/3P FR1 EMI version: Run three motor wires through the output magnetic core before connecting to the output terminal block. The output grounding wire should not run through the output magnetic core. Tie the output magnetic core to the output wires with a cable tie.

The maximum distance between the input/output magnetic core's top surface is 100 mm (3.94 in.). All DM1/DM1 PRO non-EMI version drives do not have input/output magnetic cores.

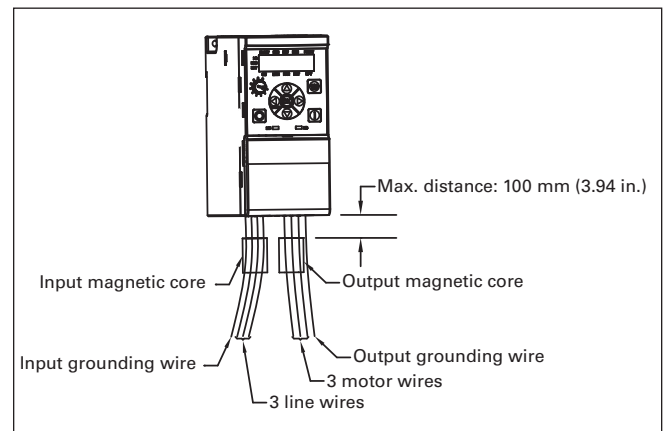


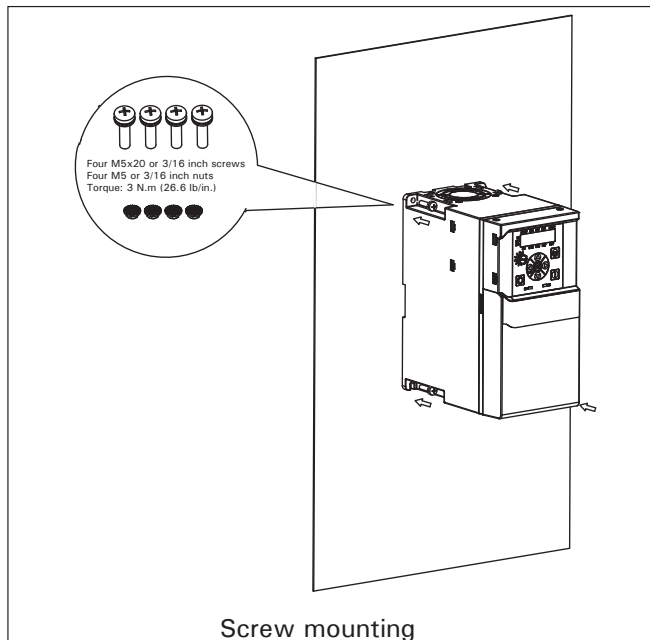
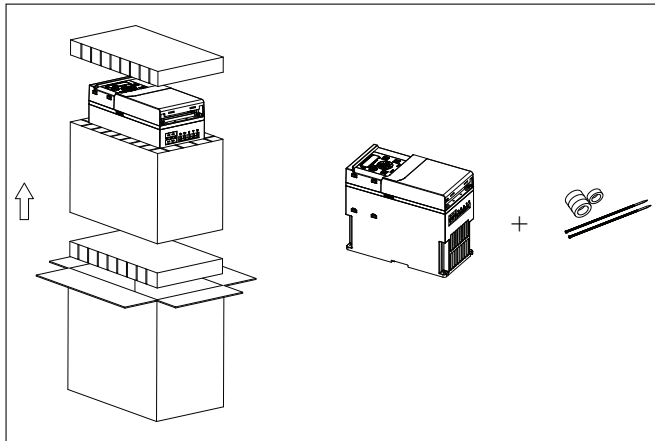
Table 17. DM1/DM1 Pro EMI version wiring summary.

Voltage rating	Frame size	Input core	Quantity of line wires	Input terminal block	Input grounding wire assembly	Output core	Output grounding wire assembly
1P	FR1	Yes	2	L2, L3	Run through input core	Yes	Do not run through the output core
	FR2	Yes	2	L2, L3	Run through input core	Yes	Do not run through the output core
	FR3	Yes	2	L2, L3	Run through input core	No	No output core
3P 230/480 V	FR1	Yes	3	L1, L2, L3	Run through input core	Yes	Do not run through the output core
	FR2	Yes	3	L1, L2, L3	Run through input core	Yes	Do not run through the output core
	FR3	Yes	3	L1, L2, L3	Run through input core	Yes	Do not run through the output core
	FR4	Yes	3	L1, L2, L3	Run through input core	Yes	Do not run through the output core
3P 575 V	FR2	No	3	L1, L2, L3	No input core	Yes	Do not run through the output core
	FR3	Yes	3	L1, L2, L3	Do not run through input core	Yes	Do not run through the output core
	FR4	Yes	3	L1, L2, L3	Do not run through input core	Yes	Do not run through the output core

FR2 mounting instructions

Step 1.

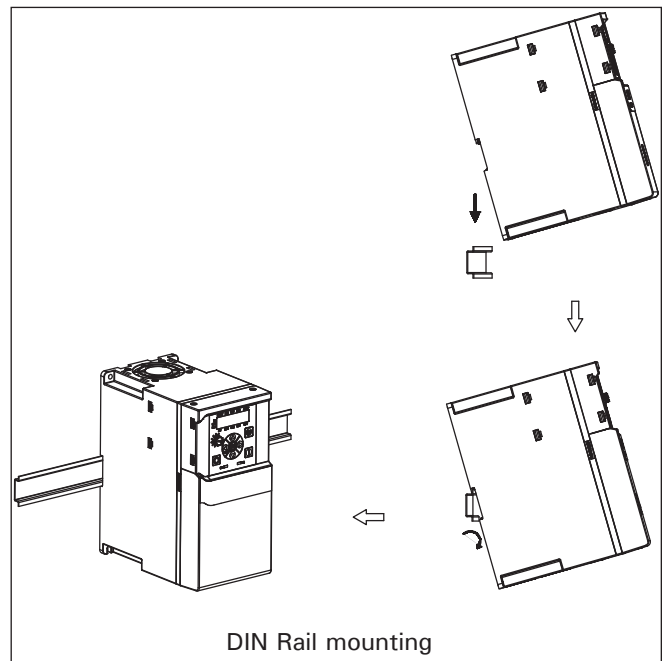
Lift the drive out from the carton, remove the packaging. The magnetic cores and cable ties are only included in EMI version drive.



Step 2.

Screw mounting: Attach the drive to the mounting plate with four M5X20 (or 3/16 in.) screws and four M5 (or 3/16 in.) nuts. The opening dimension on the mounting plate should follow required dimension (refer to the dimension drawing in the instruction leaflet).

DIN rail mounting: Lift the drive at an angle about 30 degrees. Align the top hooks of drive DIN rail mounting slot with DIN rail top edge. Push down and rotate the drive to clip the bottom hooks on the bottom DIN rail edge.



Chapter 4—Mechanical installation

Step 3. (EMI version only. (Refer to Table 17 for input/output wiring.):)

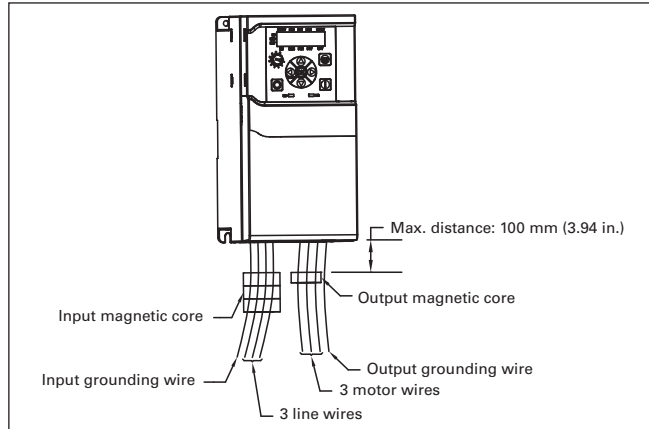
Input wiring:

- 1P FR2 EMI version: Run the input wires (two line wires + one grounding wire) through the input magnetic core before connecting to the input terminal block (L2/L3) and grounding hole. Tie the input magnetic core to the input wires with a cable tie.
- 3P 230/480 V FR2 EMI version: Run the input wires (three line wires + one grounding wire) through the input magnetic core before connecting to the input terminal block (L1/L2/L3) and grounding hole. Tie the input magnetic core to the input wires with a cable tie.
- 3P 575 V FR2 EMI version: Does not have input magnetic core. Connect the three line wires to the input terminal block (L1/L2/L3) directly.

Output wiring:

- All 1P/3P FR2 EMI version: Run three motor wires through the output magnetic core before connecting to the output terminal block. The output grounding wire should not run through the output magnetic core. Tie the output magnetic core to the output wires with a cable tie.

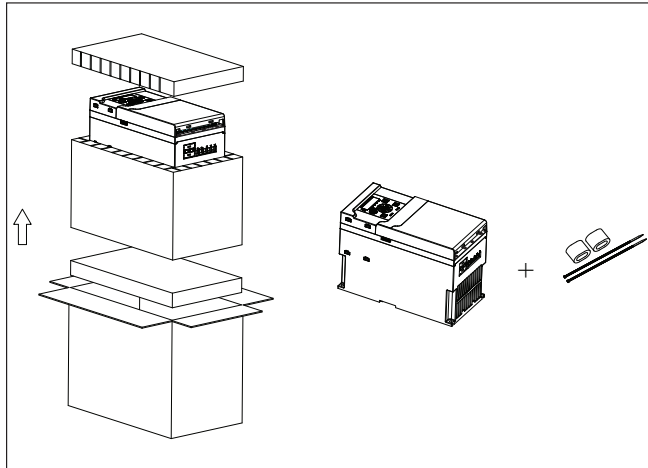
The maximum distance between the input/output magnetic core's top surface is 100 mm (3.94 in.). All DM1/DM1 PRO non-EMI version drives do not have input/output magnetic cores.



FR3 mounting instructions

Step 1.

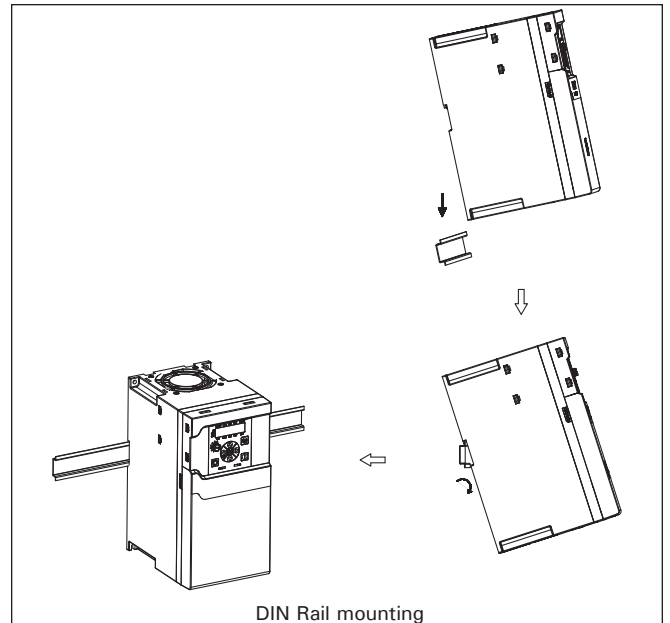
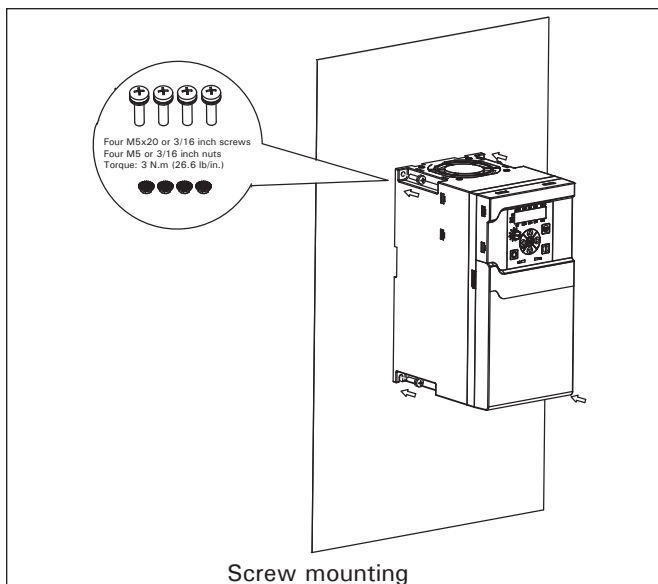
Lift the drive out from the carton, remove the packaging. The magnetic cores and cable ties are only included in EMI version drive.



Step 2.

Screw mounting: Attach the drive to the mounting plate with four M5X20 (or 3/16 in.) screws and four M5 (or 3/16 in.) nuts. The opening dimension on the mounting plate should follow required dimension (refer to the dimension drawing in the instruction leaflet).

DIN Rail mounting: Lift the drive at an angle about 30 degrees. Align the top hooks of drive DIN rail mounting slot with DIN rail top edge. Push down and rotate the drive to clip the bottom hooks on the bottom DIN rail edge.



Step 3. (EMI version only. (Refer to Table 17 for input/output wiring.):

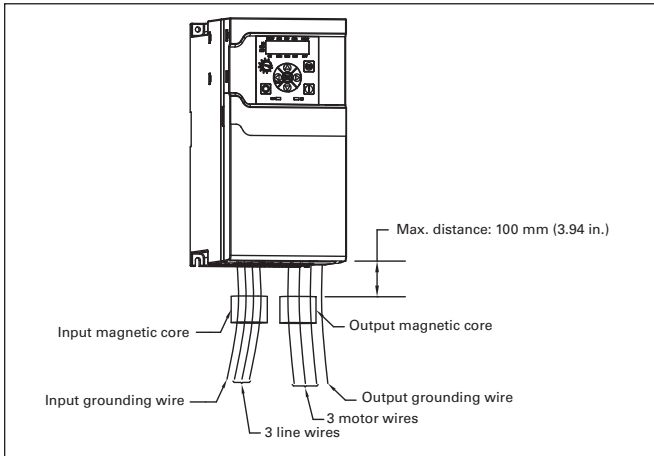
Input wiring:

- 1P FR3 EMI version: Run the input wires (two line wires + one grounding wire) through the input magnetic core before connecting to the input terminal block (L2/L3) and grounding hole. Tie the input magnetic core to the input wires with a cable tie.
- 3P 230/480 V FR3 EMI version: Run the input wires (three line wires + one grounding wire) through the input magnetic core before connecting to the input terminal block (L1/L2/L3) and grounding hole. Tie the input magnetic core to the input wires with a cable tie.
- 3P 575 V FR3 EMI version: Run the input wires (three line wires) through the input magnetic core before connecting to input terminal block (L1/L2/L3). The input grounding wire should not run through the input magnetic core. Tie the input magnetic core to the input wires with a cable tie.

Output wiring:

- 1P FR3 EMI Version: Does not have an output magnetic core. Connect three motor wires to the output terminal block directly.
- 3P 230/480/575 V FR3 EMI Version: Run three motor wires through the output magnetic core before connecting to output terminal block. The output grounding wire should not run through the output magnetic core. Tie the output magnetic core to the output wires with a cable tie.

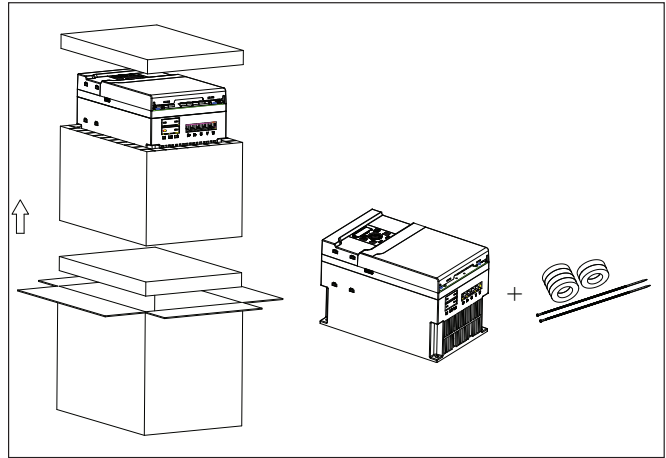
The maximum distance between the input/output magnetic core's top surface is 100 mm (3.94 in.). All DM1/DM1 PRO non-EMI version drives do not have input/output magnetic cores.



FR4 mounting instructions

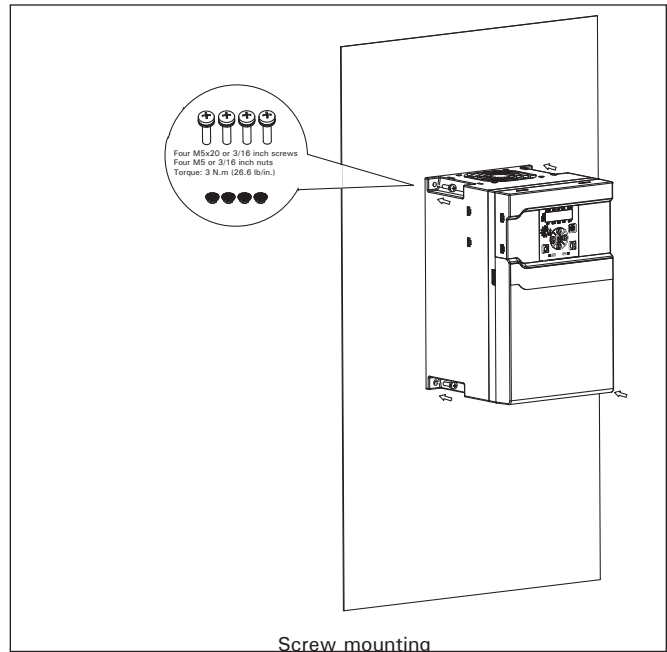
Step 1.

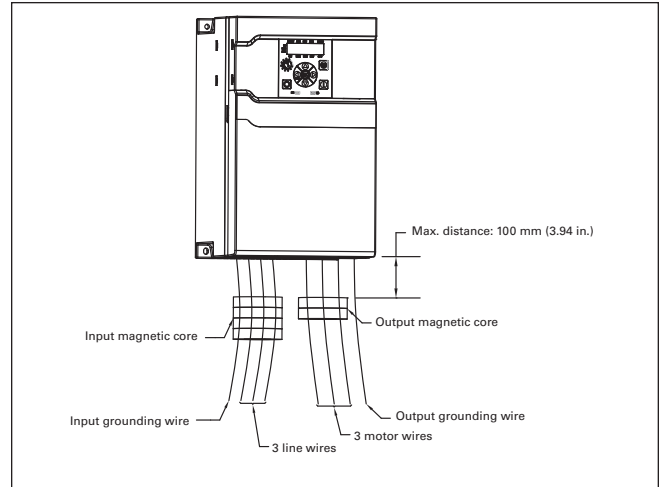
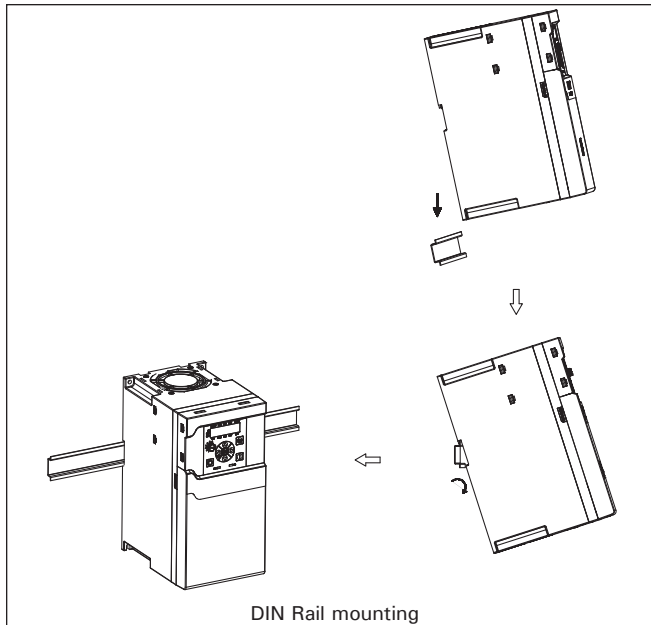
Lift the drive out from the carton, remove the packaging. The magnetic cores and cable ties are only included in EMI version drive.



Step 2.

Screw mounting: Attach the drive to the mounting plate with four M5x20 (or 3/16 in.) screws and four M5 (or 3/16 in.) nuts. The opening dimension on the mounting plate should follow required dimension (refer to the dimension drawing in the instruction leaflet).





Step 3. (EMI version only. (Refer to Table 17 for input/output wiring.):)

Input wiring:

- 3P 230/480 V FR4 EMI version: Run the input wires (three line wires + one grounding wire) through the input magnetic core before connecting to the input terminal block (L1/L2/L3) and grounding hole. Tie the input magnetic core to the input wires with a cable tie.
- 3P 575 V FR4 EMI version: Run the input wires (three line wires) through the input magnetic core before connecting to input terminal block (L1/L2/L3). The input grounding wire should not run through the input magnetic core. Tie the input magnetic core to the input wires with a cable tie.

Output wiring:

- 3P 230/480/575 V FR4 EMI Version: Run three motor wires through the output magnetic core before connecting to output terminal block. The output grounding wire should not run through the output magnetic core. Tie the output magnetic core to the output wires with a cable tie.

The maximum distance between the input/output magnetic core's top surface is 100 mm (3.94 in.). All DM1/DM1 PRO non-EMI version drives do not have input/output magnetic cores.

Mounting instruction for option cards for DM1 Pro only

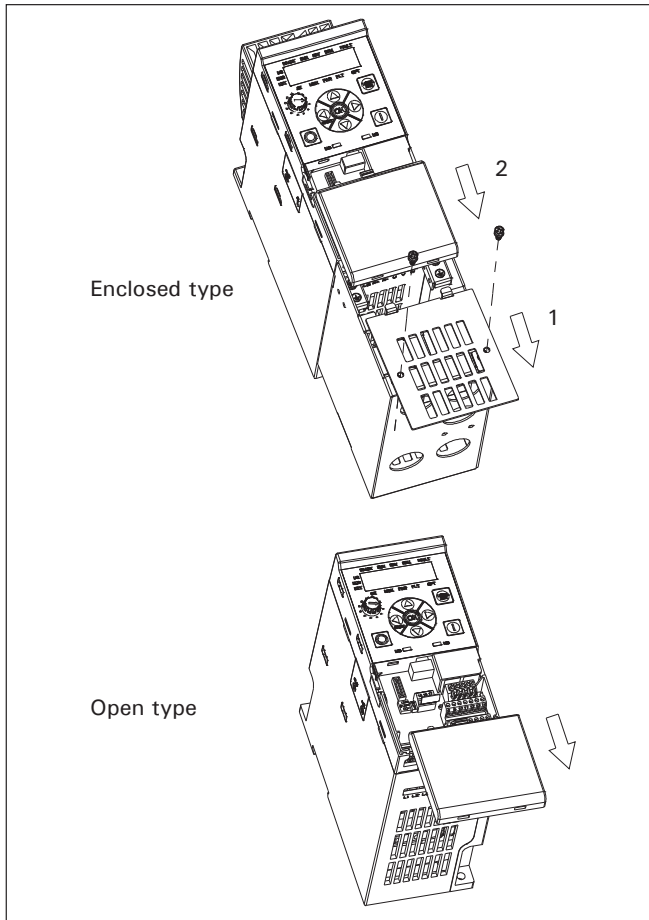
Step 1.

For enclosed type:

Remove the front cover (1) from NEMA 1 kit then remove the terminal cover (2) from drive.

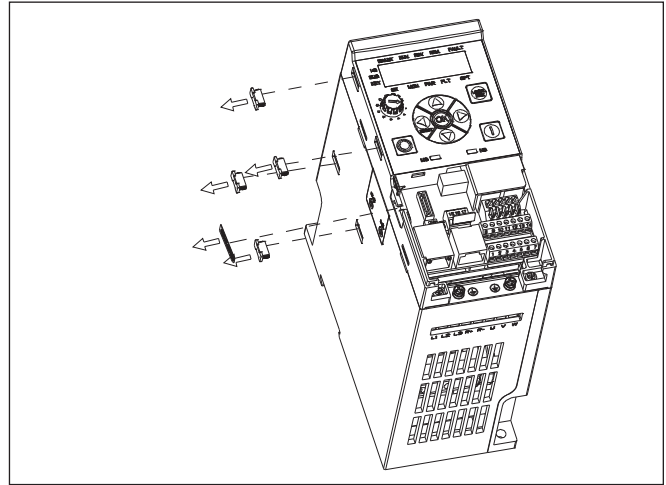
For open type:

Only remove the terminal cover.



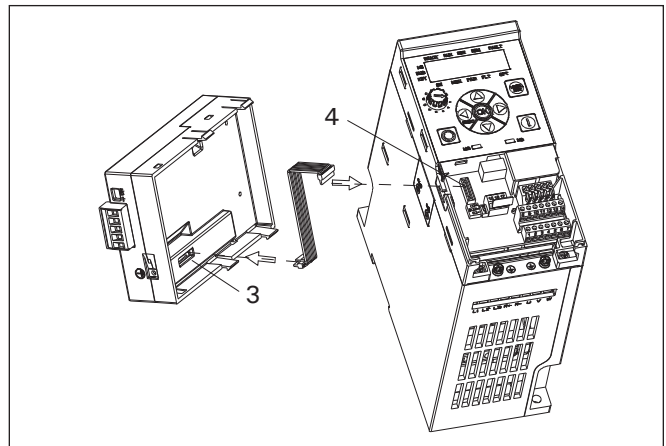
Step 2.

Remove the option card port label and four snap covers from the drive.



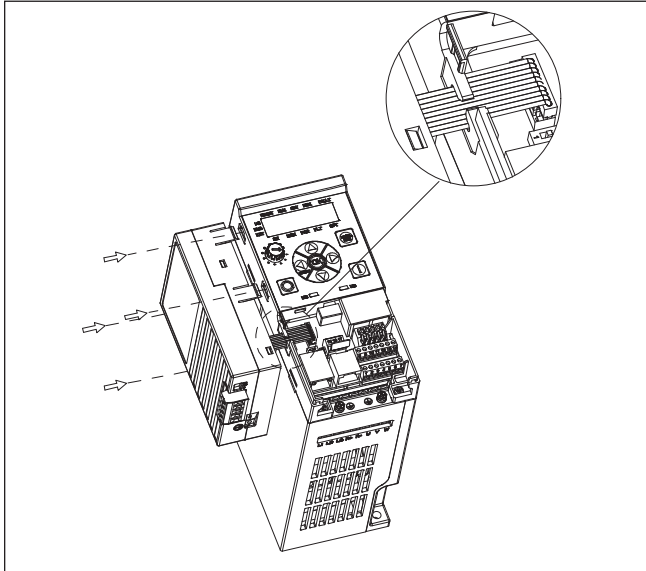
Step 3.

Connect the cable to option card connector (3) and MCU board connector (4).



Step 4.

Clamp the cable with the optional card port. Mount the option card to the drive by inserting the four snaps into the slots on drive.



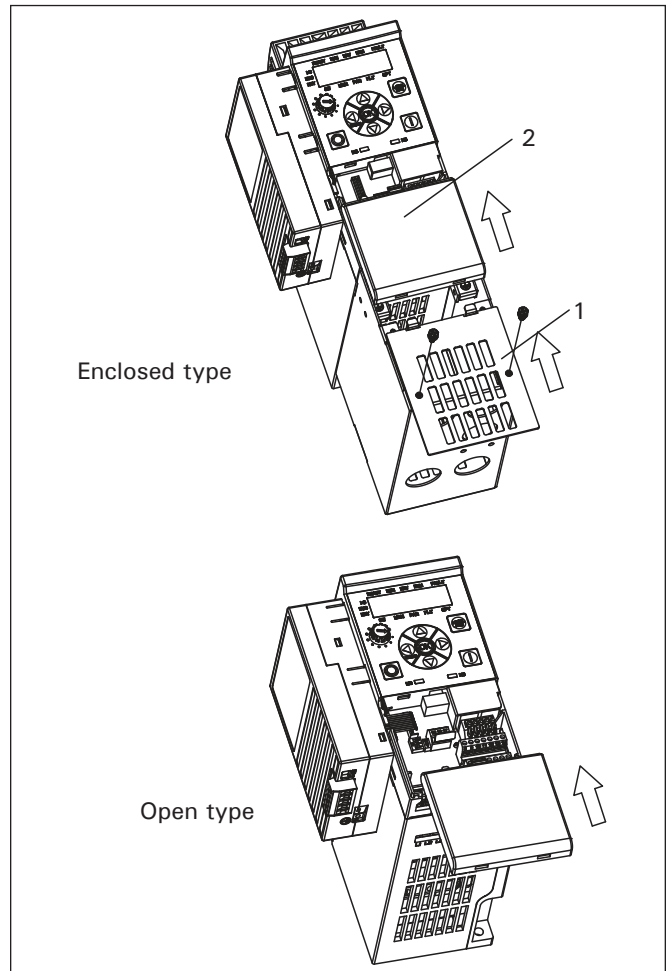
Step 5.

For enclosed type:

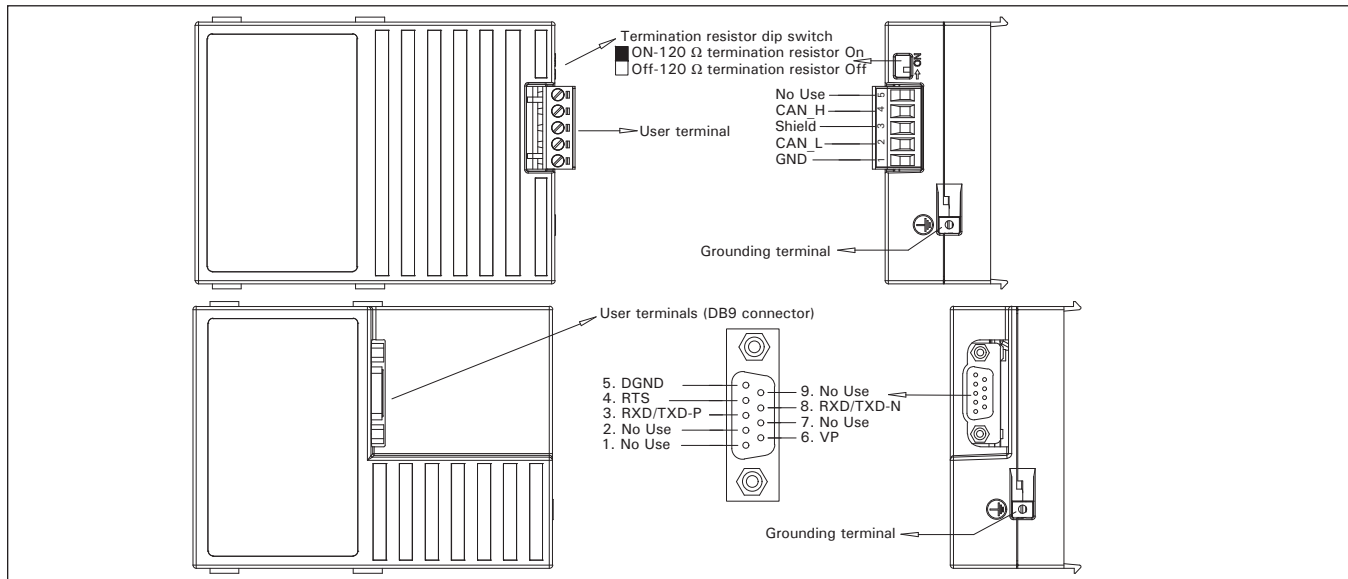
Install the terminal cover (1) to the drive then install the front cover (2) to NEMA 1 kit.

For open type:

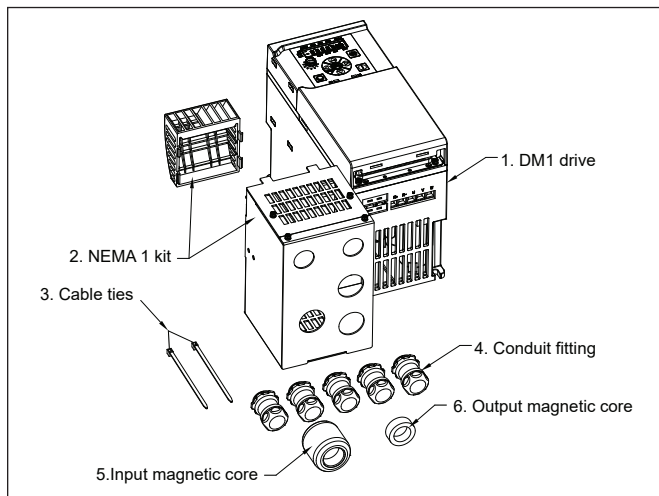
Only install the terminal cover to the drive.



Wiring instruction.



**NEMA 1 kit
Component list for DM1 drive with NEMA 1 kit**



1. DM1 drive.
2. NEMA 1 kit (with fan cover).
3. Cable tie (2 pcs., shipped with drive for EMI version only).
4. Conduit fitting (supplied by customer).
5. Input magnetic core (shipped with drive for EMI version only).
6. Output magnetic core (shipped with drive for EMI version only).
7. Input/output/grounding cable etc.

Notes: 1. The NEMA 1 kits are only applicable for screw mounting, but not for DIN rail mounting.
2. The NEMA 1 kits are only applicable for vertical mounting, but not for horizontal mounting or inclined mounting.

Component list for DM1 NEMA 1 kit

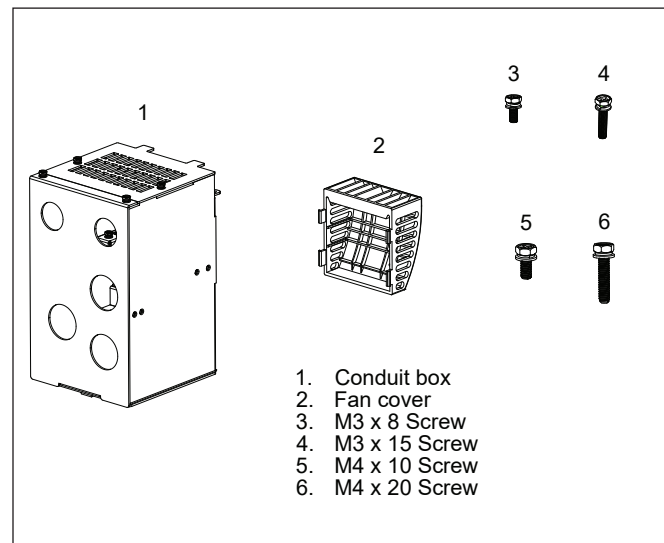


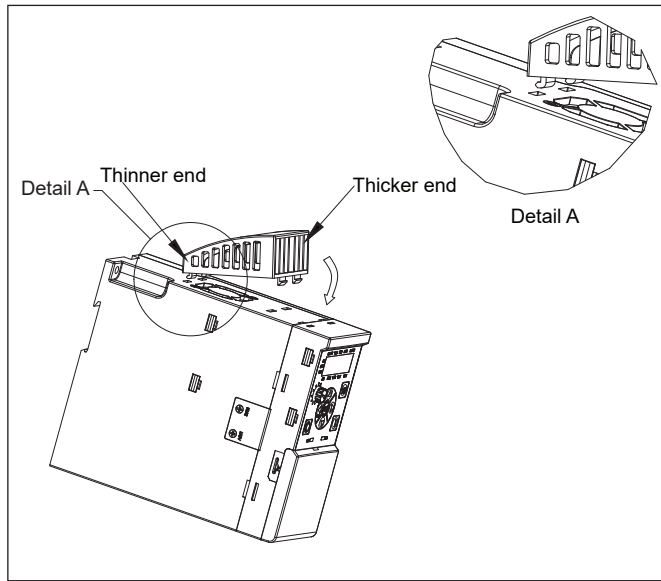
Table 18. Screw quantities.

	M3 x 8	M3 x 15	M4 x 10	M4 x 20
FR1	6	2		
FR2	6			2
FR3	4		2	2
FR4			6	2

Installation steps for DM1 FR1 NEMA 1 kit

Step 1

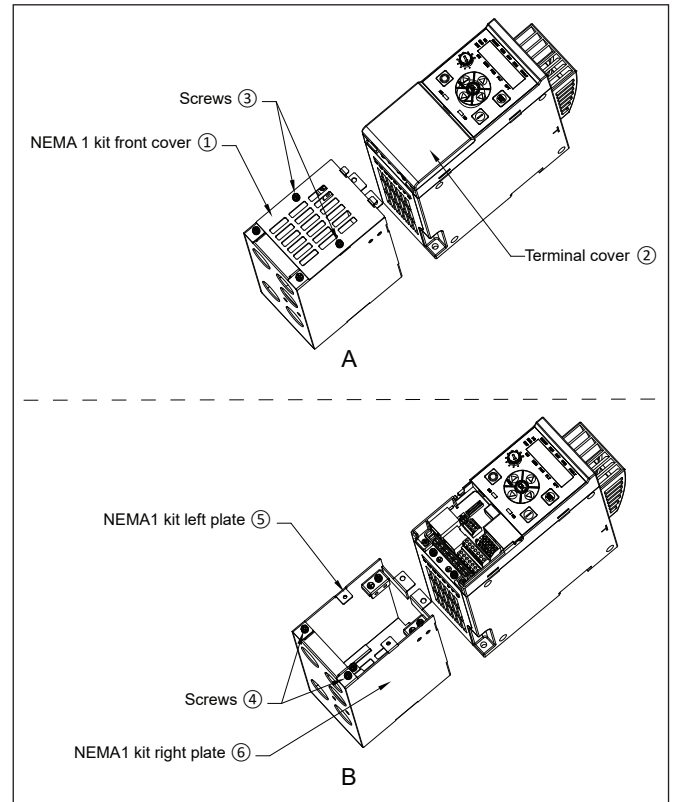
Insert the two hooks on thinner end of fan cover into the two slots on top surface of drive first (refer to detail A), then push the two hooks on thicker end of fan cover into the two slots on top surface of drive. The thicker end of the fan cover should face the front surface of drive.



Step 2

Remove the two screws ③, NEMA 1 kit front cover ①, and terminal cover ② (See A).

Remove the two screws ④, NEMA 1 kit left cover ⑤, and NEMA 1 kit right plate ⑥ (See B).



Step 3

Mount the conduit fittings (8)(9) on the NEMA 1 kit main frame (7). Then insert the hooks on bottom plate into the corresponding rectangular openings on drive bottom surface.

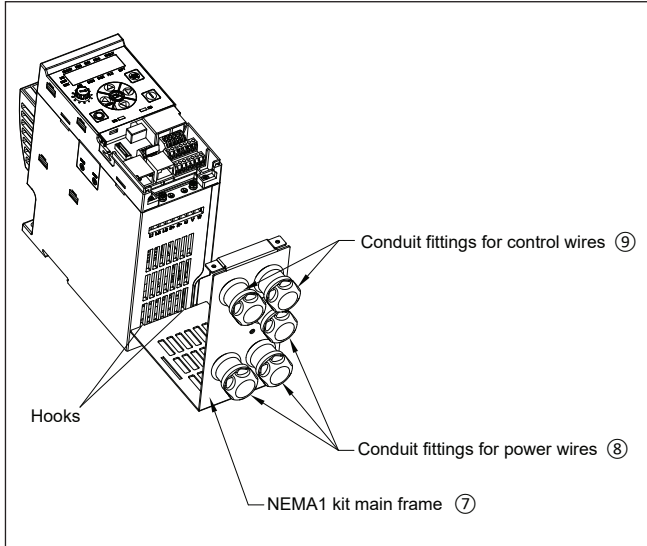


Table 19. Conduit fitting for wires.

	Conduit fitting for control wires	Conduit fitting for power wires
FR1	0.5 inch, 2 pcs.	0.5 inch, 3 pcs.
FR2	0.5 inch, 2 pcs.	0.75 inch, 3 pcs.
FR3	0.5 inch, 2 pcs.	0.75 inch, 3 pcs.
FR4	0.5 inch, 2 pcs.	1.0 inch, 3 pcs.

Step 4

Power wiring for EMI version drive:

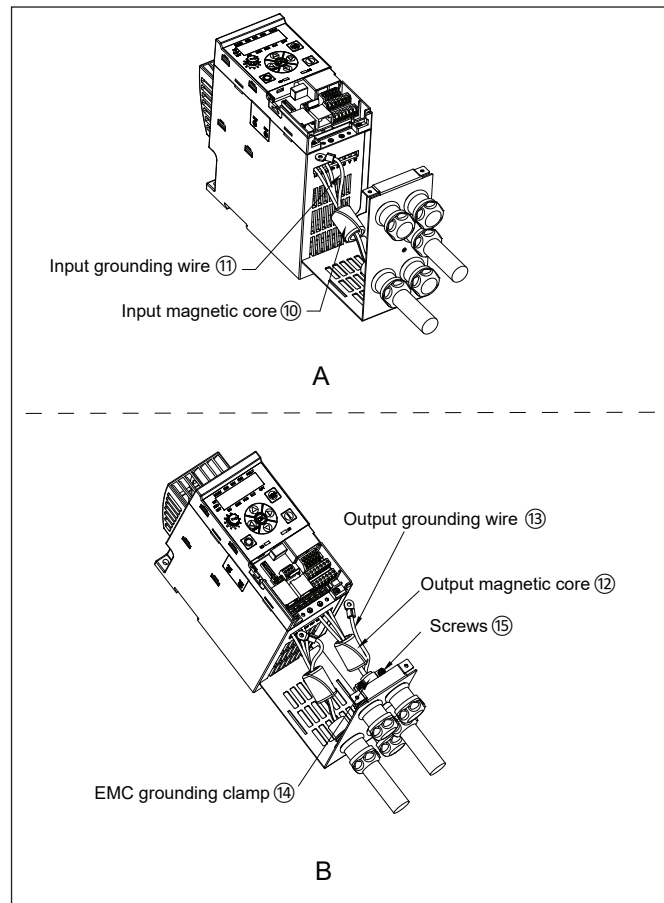
1. Run input cable (1P: two line wires + one input grounding wire; 3P: three line wires + one input grounding wire) through power wires conduit fitting and input magnetic core (10), then connect to the input terminals input terminals (3-phase drive: L1/L2/L3; 1-phase drive: L2/L3), leave the input grounding wire (11) unconnected. Tie the input magnetic core to the input wires with a cable tie (See A).
2. Run the output cable (three motor wires + one output grounding wire) through conduit fitting and EMC grounding clamp (14). Run the three motor wires without the output grounding wire through the output magnetic core (12). Connect the motor wires to U/V/W terminals. Leave the output grounding wire (13) unconnected. Tie the output magnetic core to the output wires with a cable tie. Use the EMC grounding clamp (14) and two screws (15) to fix output cable shielding layer (See B).

Power wiring for non-EMI version drive:

1. Run input cable (1P: two line wires + one input grounding wire; 3P: three line wires + one input grounding wire) through power wires conduit fitting. Connect input terminals (1P: L2/L3; 3P: L1/L2/L3). Leave the input grounding wire (11) unconnected.
2. Run the output cable (three motor wires + one output grounding wire) through power wires conduit fitting and EMC grounding clamp (14). Connect the motor wires to U/V/W terminals. Leave the output grounding wire (13) unconnected. Use the EMC grounding clamp (14) and two screws (15) to fix output cable shielding layer.

Control wiring:

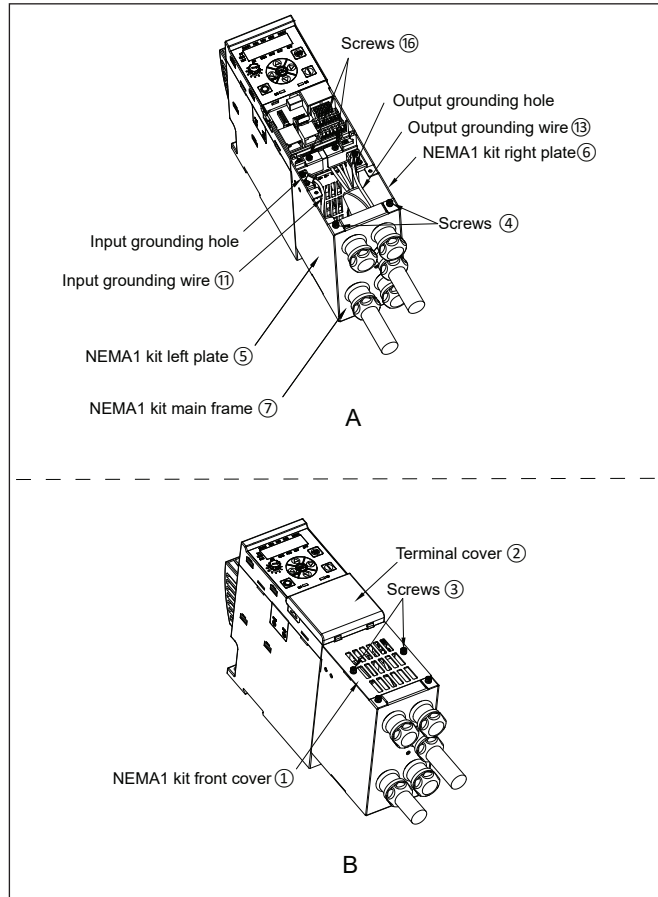
1. Run control wires (RJ45, ethernet, I/O, STO, relay, etc.) through control wire conduit fittings (9) and connect to corresponding terminals or connectors.



Step 5

Mount the NEMA 1 kit left plate ⑤ and right plate ⑥ back to the NEMA 1 kit main frame ⑦ and drive with screws ④ and ⑬. Then connect the input grounding wire ⑪ and output grounding wire ⑬ to the grounding holes on NEMA 1 kit left plate ⑤ and NEMA 1 kit right plate ⑥ (See A).

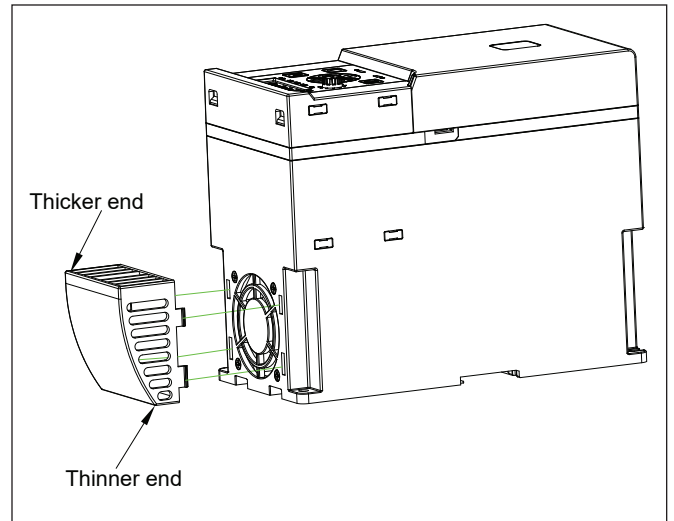
Mount the terminal cover ② back to the drive. Mount NEMA 1 kit front cover ① back to the conduit box with screws ③ (See B).



Installation steps for DM1 FR2-FR4 NEMA 1 kits

Step 1

Align the four hooks on fan cover with the four slots around the fan venting holes on top surface of drive. Push the snap joints into slots. The thicker end of fan cover should face the front surface of the drive.

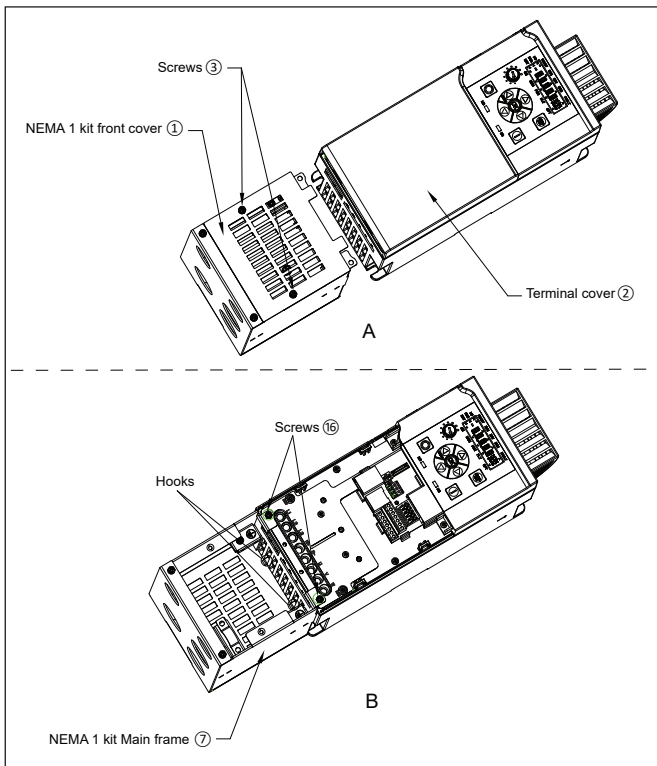


Chapter 4—Mechanical installation

Step 2

Remove the two screws ③, NEMA 1 kit front cover ①, and terminal cover ② (See A).

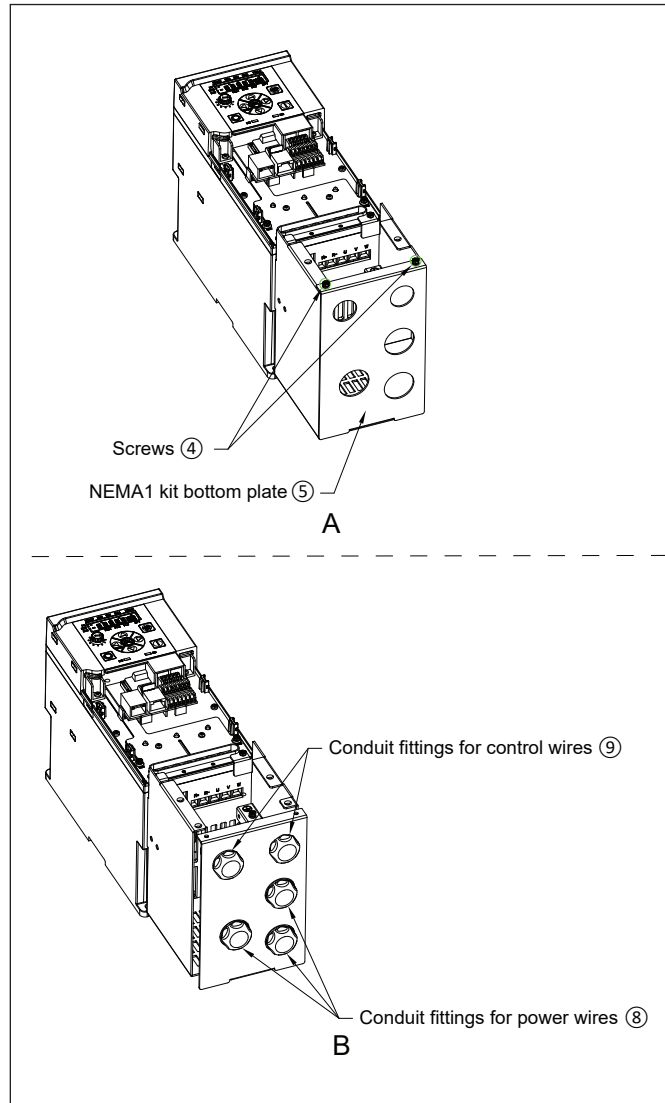
Insert the hooks on back surface of NEMA 1 kit main frame ⑦ into the corresponding rectangular openings on drive bottom surface, then use two screws ⑩ to fix the conduit box to the metal grounding plate of drive (See B).



Step 3

Remove the two screws ④ and NEMA 1 kit bottom plate ⑤ (See A).

Mount the conduit fittings ⑧ and ⑨ on NEMA 1 kit bottom plate ⑤ (See B).



Step 4

Power wiring for EMI version drive (Refer to Table 17):

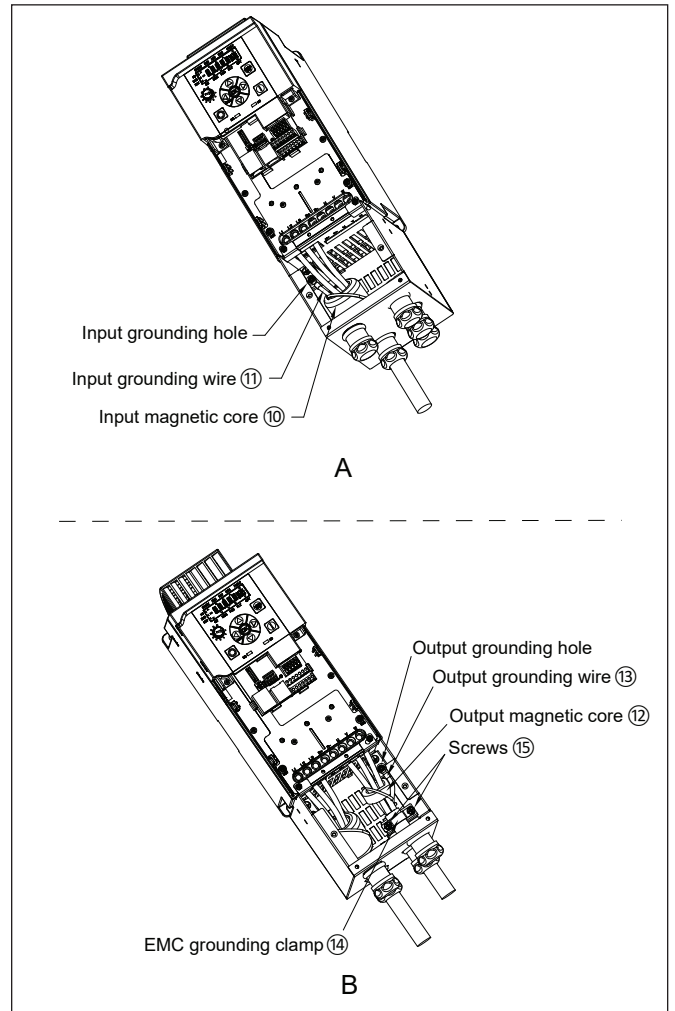
1. Run input cable (1P: two line wires + one input grounding wire; 3P 230/480 V: three line wires + one grounding wire) through the power wires conduit (8) fitting and input magnetic core (10) (if present). The input grounding wire (11) should not run through the input magnetic core (if has) for 3P 575V drives. Connect the input grounding wire to the input grounding hole on NEMA 1 main frame, then connect the line wires to input terminals (1P: L2/L3; 3P: L1/L2/L3). Tie the input magnetic core (if present) to the input wires with a cable tie (See A).
2. Run the output cable (three motor wires + one output grounding wire) through conduit fitting and EMC grounding clamp (14). Run the three motor wires without the output grounding wire (13) through the output magnetic core (12) (if present). Connect the output grounding wire to the output grounding hole on NEMA 1 main frame, then connect the motor wires to U/V/W terminals. Tie output magnetic core (if present) to the output wires with a cable tie. Use the EMC grounding clamp (14) and two screws (15) to fix output cable shielding layer (See B).

Power wiring for non-EMI version drive:

1. Run input cable (1P: two line wires + one input grounding wire; 3P: three line wires + one input grounding wire) through the power wires conduit fitting. Connect the input grounding wire (11) to the input grounding hole on NEMA 1 main frame, then connect the line wires to input terminals (1P: L2/L3; 3P: L1/L2/L3).
2. Run the output cable (three motor wires + one output grounding wire) through three power wires conduit fitting and EMC grounding clamp (14). Connect the output grounding wire (13) to the output grounding hole on NEMA 1 main frame (7). Connect the motor wires to the U/V/W terminals. Use the EMC grounding clamp (14) and two screws (15) to fix output cable shielding layer.

Control wiring:

1. Run the control wires (RJ45, ethernet, I/O, STO, relay, etc.) through the control wire conduit fittings (9) and connect to corresponding terminals or connectors.

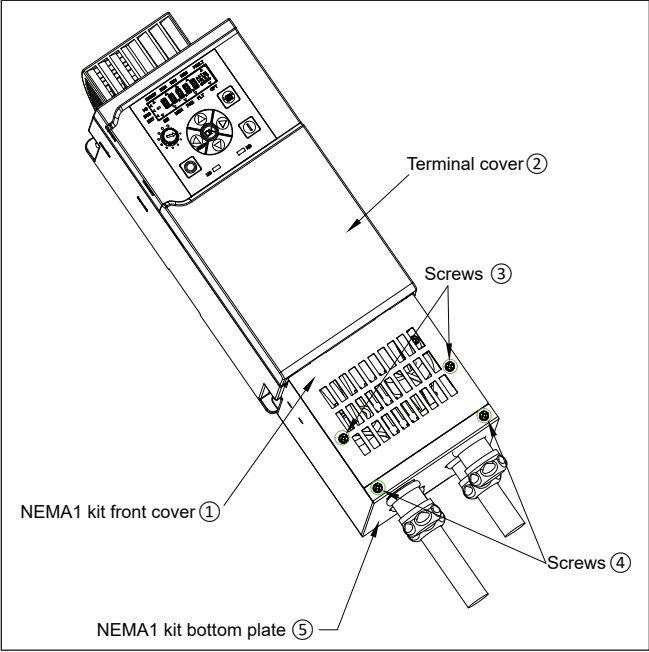


Chapter 4—Mechanical installation

Step 5

Mount the NEMA 1 kit bottom plate ⑤ back to the NEMA 1 kit main frame ⑦ with two screws ④.

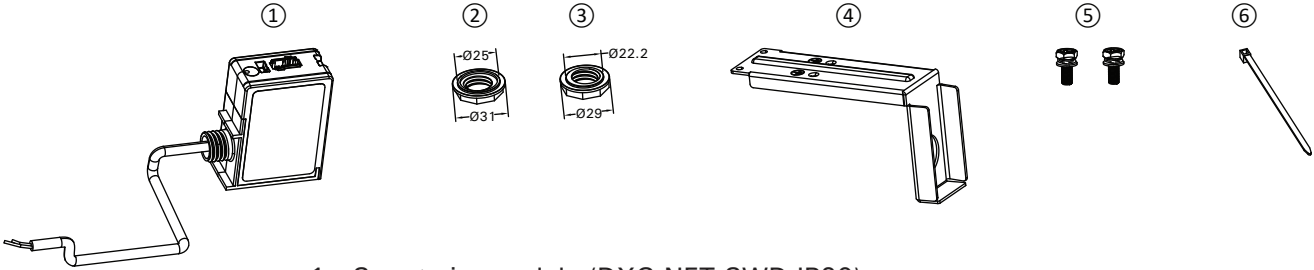
Mount the terminal cover ② back to the drive. Mount NEMA 1 kit front cover ① back to the NEMA 1 kit main frame ⑦ with two screws ③.



Smartwire kit installation

Component lists

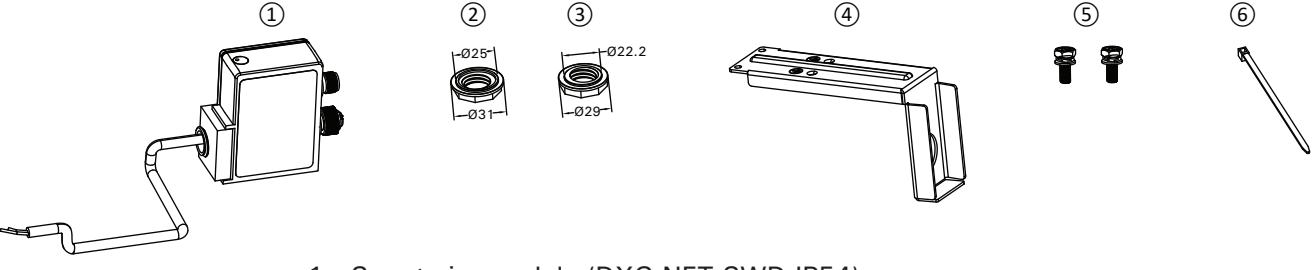
IP20 Smartwire kit



1. Smartwire module (DXG-NET-SWD-IP20)
2. EN version nut
3. US version nut
4. Metal adapter plate
5. M3*8 screws
6. Cable tie

Note: Parts 1, 2, 3, and 6 are used for all DG1/DH1/DM1 drives.
Parts 4 and 5 are only used for DM1 open type drives.

IP54 Smartwire kit



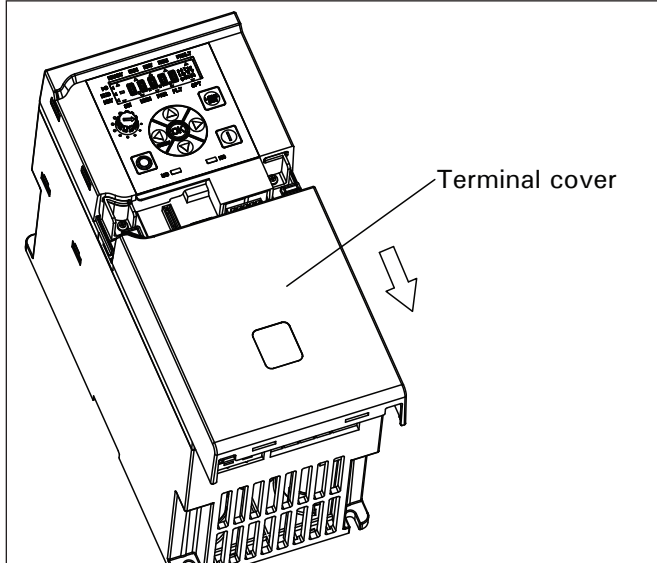
1. Smartwire module (DXG-NET-SWD-IP54)
2. EN version nut
3. US version nut
4. Metal adapter plate
5. M3*8 screws
6. Cable tie

Note: Parts 1, 2, 3, and 6 are used for all DG1/DH1/DM1 drives.
Parts 4 and 5 are only used for DM1 open type drives.

Smartwire kit installation steps

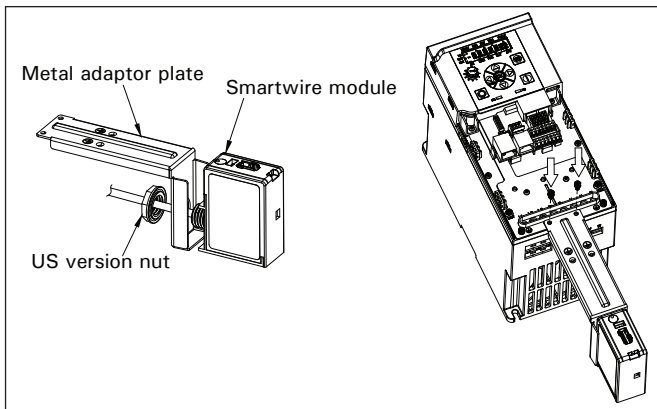
Step 1.

1. Remove the terminal cover from the drive.



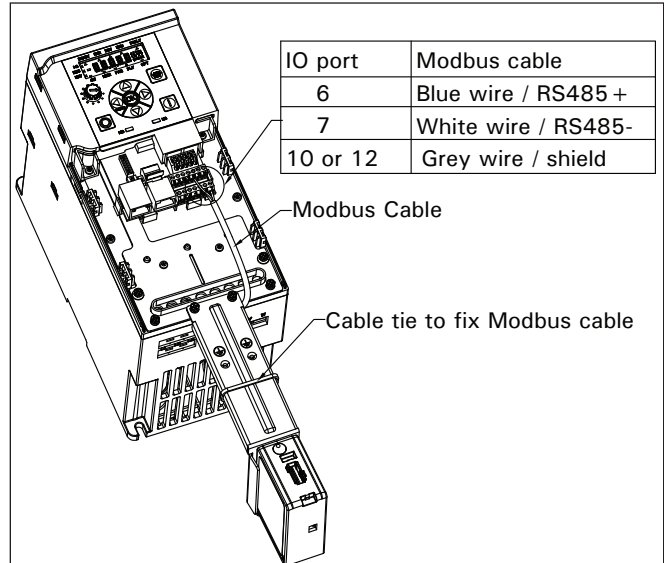
Step 2.

1. Run the smartwire module cable through the metal adaptor plate conduit hole. Lock the module with the US version plastic nut.
2. Mount the adaptor plate and smartwire module on the drive ground plate with two M3*8 screws torqued to 0.8 N.m (7 lb-in).



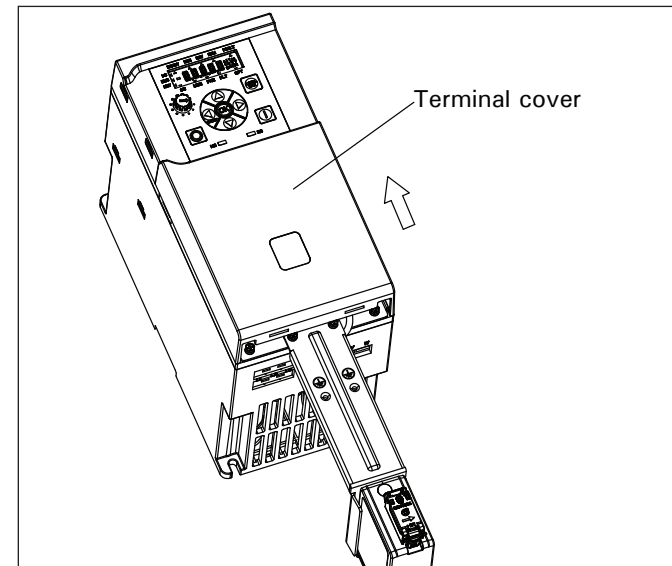
Step 3.

1. Connect the Modbus cable to MCU board IO terminals.
2. Use a cable tie to fix the Modbus cable to adapter plate.



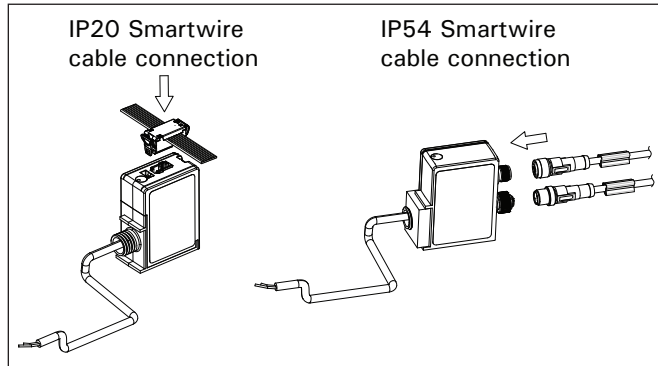
Step 4.

1. Mount the terminal cover back on the drive.



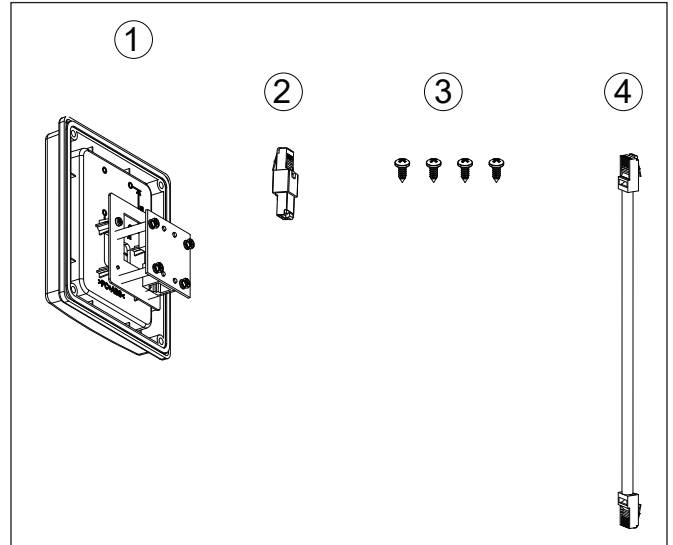
Step 5.

1. Connect the communication cable (ribbon cable for IP20 smartwire kit, round cable for IP54 smartwire kit) to the smartwire module.



Keypad remote mounting kit

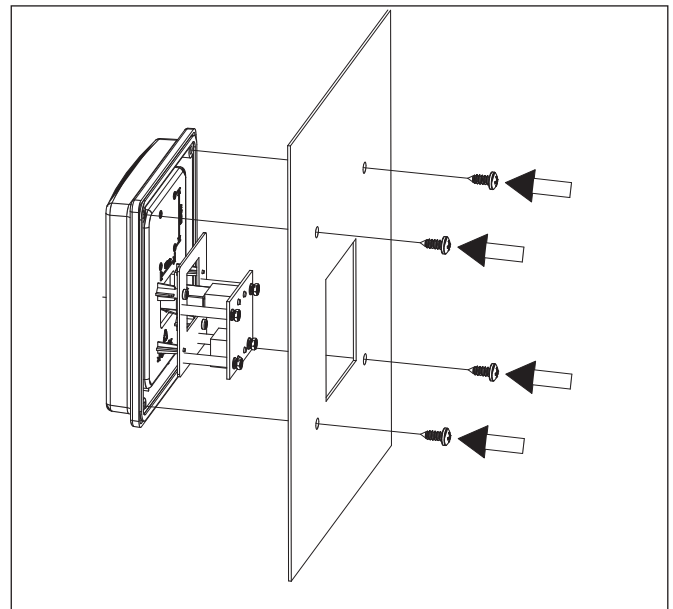
Remote keypad kit component list



1. Keypad mounting bezel (with adapter board and seal strip pre-installed).
2. Male to male RJ45 connector.
3. Screws (M4.8 x 13).
4. RJ45 cable.

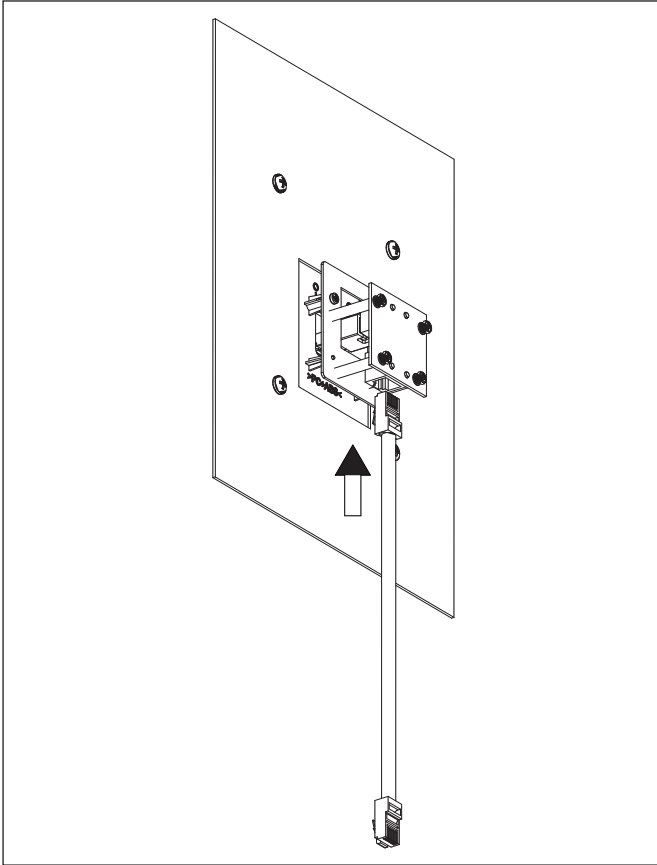
Step 1

Attach the keypad bezel (with adapter board and seal strip pre-installed) to the mounting plate with 4 M4.8 x 13 screws.



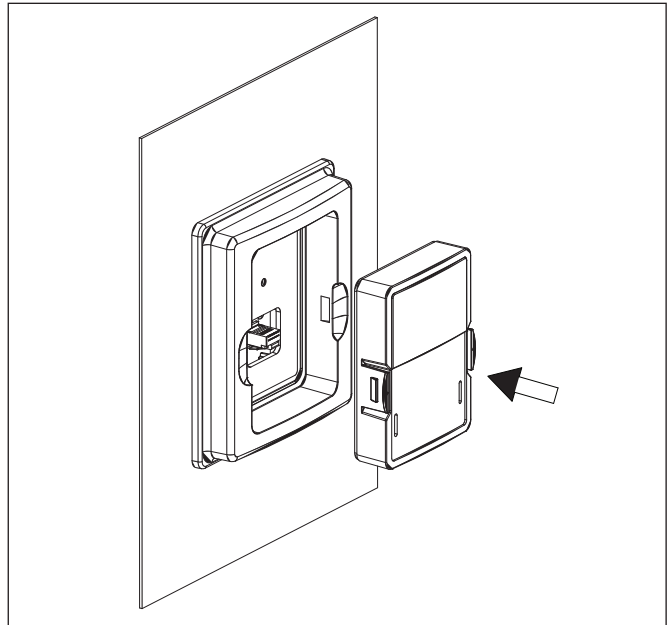
Step 2

Connect one end of the RJ45 cable to the female connector of the adapter board and the other end connect to the drive inside the cabinet.



Step 3

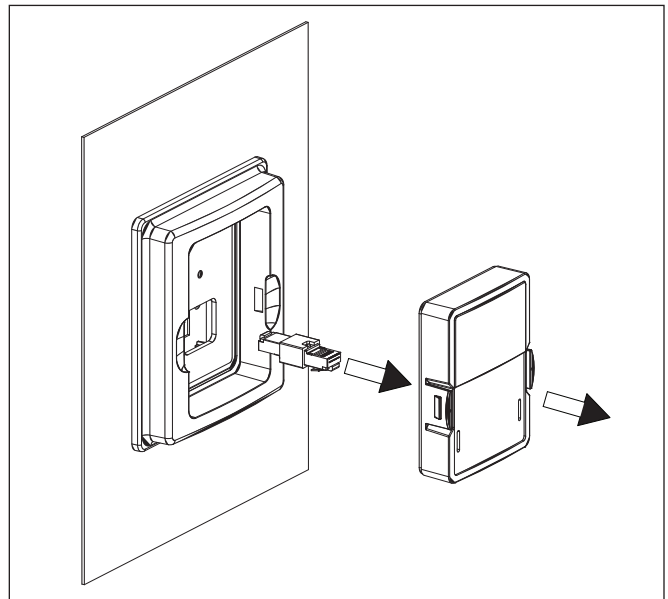
Push the keypad into the mounting bezel and connect it to the drive inside the cabinet.



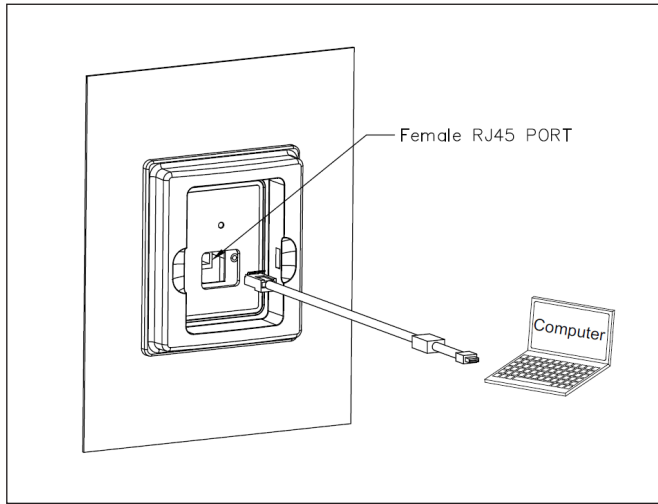
Step 4

Connect to PC (connect drive inside the cabinet to a computer outside):

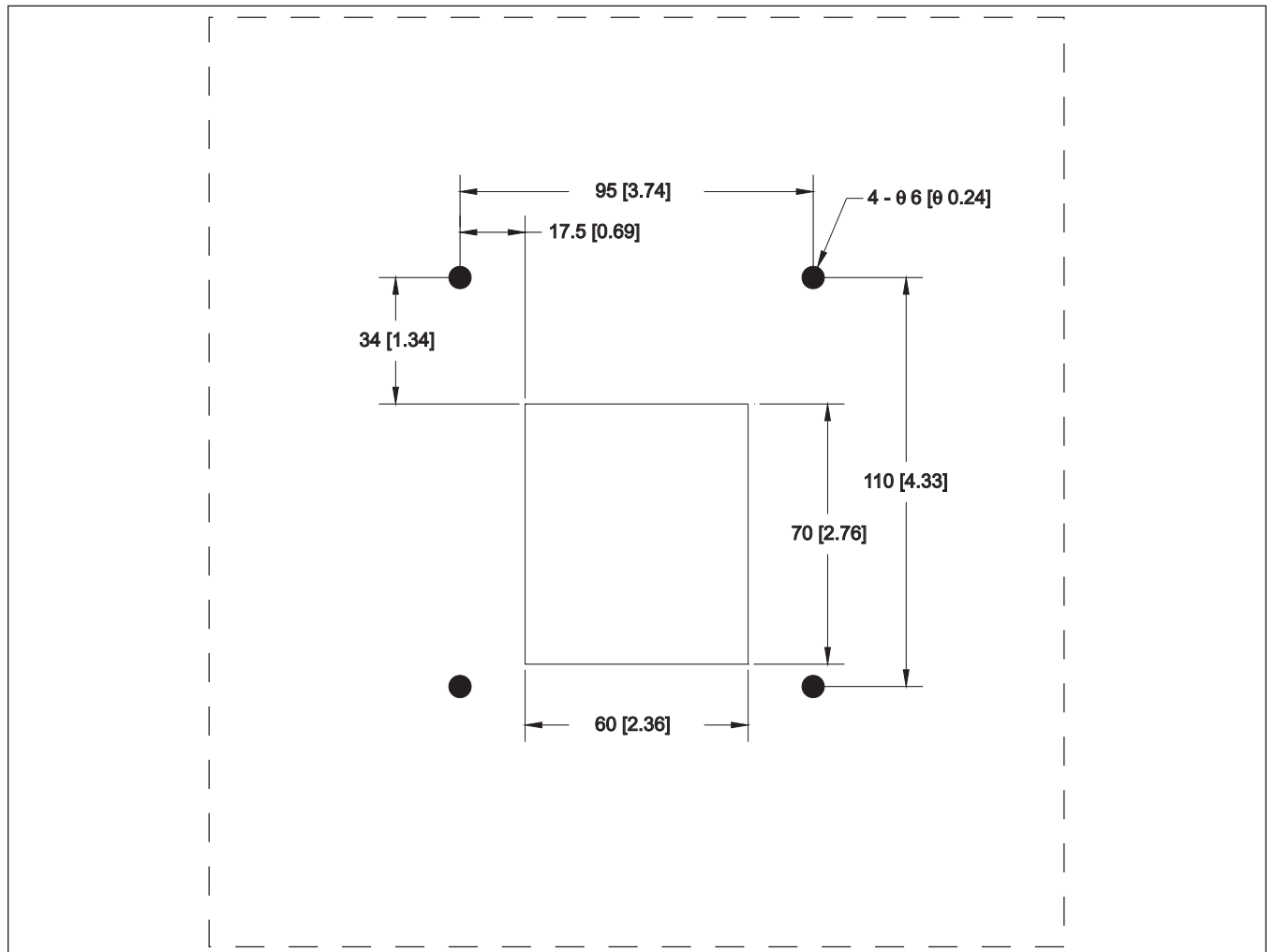
1. Remove the keypad and male to male RJ45 connector.



2. Connect the female RJ45 port of remote keypad kit and computer with a USB to RJ45 (DXG-CBL-PCCABLE) cable.



Keypad mounting template



Chapter 5—Electrical installation

Note: All following information is strongly recommended but is not necessary if sufficient system design and validation has been completed.

This chapter contains all of the information required to properly install and prepare the PowerXL Series VFD for operation. The contents are listed to serve as a list of tasks needed to complete the installation. Included in this section are:

- Cable selection;
- Mains connection diagram;
- Connection tightening torque;
- Grounding;
- EMC requirements;
- Installation in corner grounded networks and IT networks;
- Checking motor and cable insulation.

Electrical installation warnings and cautions

WARNING

Carry out wiring work only after the frequency inverter has been correctly mounted and secured.

WARNING

Electric shock hazard—risk of injuries!

Carry out wiring work only if the unit is de-energized.

CAUTION

Debounced inputs may not be used in the safety circuit diagram.

Fire hazard!

Only use cables, protective switches, and contactors that feature the indicated permissible nominal current value.

CAUTION

Debounced inputs may not be used in the safety circuit diagram.

According to product standard IEC/EN 61800-5-1, an additional equipment grounding (PE) conductor of the same cross-sectional area as the original protective earthing conductor must be connected, or the cross-section of the equipment grounding conductor must be at least 10 mm² Cu.

WARNING

The components in the drive's power section remain energized after the supply voltage has been switched off. After disconnecting the supply, wait at least five minutes before removing the cover to allow the intermediate circuit capacitors to discharge.

Pay attention to hazard warnings!

Power wiring selection

Motor cable connections are made to terminals U, V, and W.

Cable selection: Power and motor leads

- Select the mounting location based on requirements listed. Use UL approved heat-resistant copper cables only.
- 75°C or higher for all units rated.
- Line voltage/mains should be Class 1 wire only outside.
- North America.
- Refer to Appendix B for cable sizing guidelines.

Line (mains) and motor cable installation

The input line and motor cables must be sized in accordance with the rated PowerXL VFD input and output current.

If motor temperature sensing is used for overload protection, the output cable size may be selected based on the motor specifications.

Maximum symmetrical supply current is 100,000 A RMS for all size PowerXL VFDs.

Input protection

Input protection devices are rated based on PowerXL rated input and output current. For UL and cUL/CSA, refer to **Appendix D** for proper sizing. For gG/gL (IEC 60269-1), refer to **Appendix B** for proper sizing.

Consult with service representative for further information about input protection requirements

Table 20. Stripping lengths.

Frame size	Power wiring				Motor wiring			
	A1 in. (mm)	B1 in. (mm)	C1 in. (mm)	D1 in. (mm)	A2 in. (mm)	B2 in. (mm)	C2 in. (mm)	D2 in. (mm)
FR1	0.39 (10)	2.76 (70)	0.39 (10)	2.76 (70)	0.39 (10)	2.76 (70)	0.39 (10)	2.76 (70)
FR2	0.47 (12)	2.76 (70)	0.47 (12)	2.76 (70)	0.47 (12)	2.76 (70)	0.47 (12)	2.76 (70)
FR3	0.47 (12)	3.54 (90)	0.47 (12)	3.54 (90)	0.47 (12)	3.54 (90)	0.47 (12)	3.54 (90)
FR4	0.79 (20)	4.53 (115)	0.79 (20)	4.53 (115)	0.79 (20)	4.53 (115)	0.79 (20)	4.53 (115)

Note: For I/O/STO/relay output wires, the stripping lengths = 0.236 in. (6-7 mm)

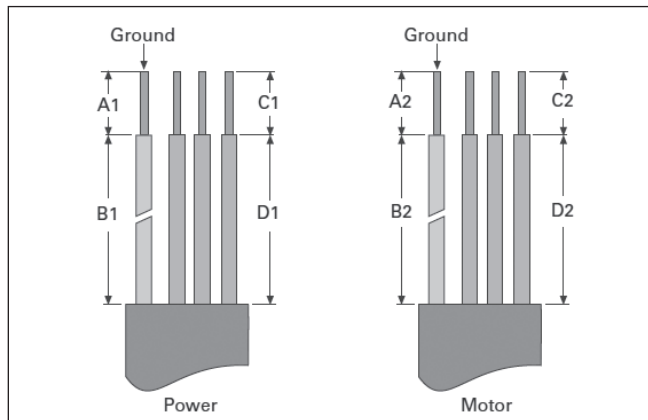


Table 21. Connection sizes and torques^{①②③}.

Input voltage	Frame size	Drive catalog number	Output rating		Size and torque							
			CT/I _H current amps	VT/I _L current amps	Power wire size AWG (mm ²)	Power wire torque in.-lb (N·m)	Ground wire size AWG (mm ²)	Ground wire torque in.-lb (N·m)	Control wire size AWG (mm ²)	Control wire torque in.-lb (N·m) AI/DI	RO	
100 Vac to 120 Vac 50/60 Hz 1-phase	FR1	DM1-111D6...	1.6	2.5	14 (2.5)	4.4 (0.5)	10 (2.5)	7.1 (0.8)	28-16 (0.5-1.5)	1.73 (0.2)	4.5 (0.5)	
		DM1-113D0...	3	4.8	10 (6)	4.4 (0.5)	8 (6)	7.1 (0.8)	28-16 (0.5-1.5)	1.73 (0.2)	4.5 (0.5)	
	FR2	DM1-114D8...	4.8	6.9	8 (10)	10.5 (1.2)	8 (10)	7.1 (0.8)	28-16 (0.5-1.5)	1.73 (0.2)	4.5 (0.5)	
		DM1-116D9...	6.9	7.8	8 (10)	10.5 (1.2)	6 (10)	7.1 (0.8)	28-16 (0.5-1.5)	1.73 (0.2)	4.5 (0.5)	
200 Vac to 240 Vac 50/60 Hz 1-phase*	FR1	DM1-121D6...	1.6	2.5	14 (2.5)	4.4 (0.5)	14 (2.5)	7.1 (0.8)	28-16 (0.5-1.5)	1.73 (0.2)	4.5 (0.5)	
		DM1-123D0...	3	4.8	14 (2.5)	4.4 (0.5)	10 (2.5)	7.1 (0.8)	28-16 (0.5-1.5)	1.73 (0.2)	4.5 (0.5)	
		DM1-124D8...	4.8	7.8	10 (6)	4.4 (0.5)	8 (6)	7.1 (0.8)	28-16 (0.5-1.5)	1.73 (0.2)	4.5 (0.5)	
	FR2	DM1-127D8...	7.8	11	10 (6)	10.5 (1.2)	8 (6)	7.1 (0.8)	28-16 (0.5-1.5)	1.73 (0.2)	4.5 (0.5)	
		DM1-12011...	11	17.5	8 (10)	10.5 (1.2)	6 (10)	7.1 (0.8)	28-16 (0.5-1.5)	1.73 (0.2)	4.5 (0.5)	
	FR3	DM1-12017...	17.5	25.3	6 (16)	10.5 (1.2)	6 (16)	14.2 (1.6)	28-16 (0.5-1.5)	1.73 (0.2)	4.5 (0.5)	
200 Vac to 240 Vac 50/60 Hz 3-phase	FR1	DM1-321D6...	1.6	2.5	14 (2.5)	4.4 (0.5)	14 (2.5)	7.1 (0.8)	28-16 (0.5-1.5)	1.73 (0.2)	4.5 (0.5)	
		DM1-323D0...	3	4.8	14 (2.5)	4.4 (0.5)	14 (2.5)	7.1 (0.8)	28-16 (0.5-1.5)	1.73 (0.2)	4.5 (0.5)	
		DM1-324D8...	4.8	7.8	14 (2.5)	4.4 (0.5)	12 (2.5)	7.1 (0.8)	28-16 (0.5-1.5)	1.73 (0.2)	4.5 (0.5)	
		DM1-327D8...	7.8	11	12 (4)	4.4 (0.5)	10 (4)	7.1 (0.8)	28-16 (0.5-1.5)	1.73 (0.2)	4.5 (0.5)	
	FR2	DM1-32011...	11	17.5	10 (6)	10.5 (1.2)	10 (6)	7.1 (0.8)	28-16 (0.5-1.5)	1.73 (0.2)	4.5 (0.5)	
		DM1-32017...	17.5	25.3	8 (10)	10.5 (1.2)	10 (10)	7.1 (0.8)	28-16 (0.5-1.5)	1.73 (0.2)	4.5 (0.5)	
	FR3	DM1-32025...	25.3	32.2	8 (10)	10.5 (1.2)	8 (10)	14.2 (1.6)	28-16 (0.5-1.5)	1.73 (0.2)	4.5 (0.5)	
	FR4	DM1-32032...	32.2	48.3	4 (25)	33 (3.73)	8 (16)	14.2 (1.6)	28-16 (0.5-1.5)	1.73 (0.2)	4.5 (0.5)	
		DM1-32048...	48.3	62.1	3 (35)	33 (3.73)	6 (16)	14.2 (1.6)	28-16 (0.5-1.5)	1.73 (0.2)	4.5 (0.5)	

Table 21. Connection sizes and torques^{①②③} (continued).

Input voltage	Frame size	Drive catalog number	Output rating		Size and torque						
			CT/I _n current amps	VT/I _n current amps	Power wire size AWG (mm ²)	Power wire torque in.-lb (N·m)	Ground wire size AWG (mm ²)	Ground wire torque in.-lb (N·m)	Control wire size AWG (mm ²)	Control wire torque in.-lb (N·m) AI/DI	RO
380 Vac to 480 Vac 50/60 Hz 3-phase	FR1	DM1-341D5...	1.5	2.2	14 (2.5)	4.4 (0.5)	14 (2.5)	7.1 (0.8)	28-16 (0.5-1.5)	1.73 (0.2)	4.5 (0.5)
		DM1-342D2...	2.2	4.3	14 (2.5)	4.4 (0.5)	14 (2.5)	7.1 (0.8)	28-16 (0.5-1.5)	1.73 (0.2)	4.5 (0.5)
		DM1-344D3...	4.3	5.6	14 (2.5)	4.4 (0.5)	14 (2.5)	7.1 (0.8)	28-16 (0.5-1.5)	1.73 (0.2)	4.5 (0.5)
		DM1-345D6...	5.6	7.6	14 (2.5)	4.4 (0.5)	10 (2.5)	7.1 (0.8)	28-16 (0.5-1.5)	1.73 (0.2)	4.5 (0.5)
	FR2	DM1-347D6...	7.6	12	12 (4)	10.5 (1.2)	10 (4)	7.1 (0.8)	28-16 (0.5-1.5)	1.73 (0.2)	4.5 (0.5)
		DM1-34012...	12	16	10 (6)	10.5 (1.2)	10 (6)	7.1 (0.8)	28-16 (0.5-1.5)	1.73 (0.2)	4.5 (0.5)
		DM1-34016...	16	23	8 (10)	10.5 (1.2)	10 (10)	7.1 (0.8)	28-16 (0.5-1.5)	1.73 (0.2)	4.5 (0.5)
	FR3	DM1-34023...	23	31	8 (10)	10.5 (1.2)	8 (10)	14.2 (1.6)	28-16 (0.5-1.5)	1.73 (0.2)	4.5 (0.5)
	FR4	DM1-34031...	31	38	6 (16)	33 (3.73)	8 (16)	14.2 (1.6)	28-16 (0.5-1.5)	1.73 (0.2)	4.5 (0.5)
		DM1-34038...	38	46	4 (25)	33 (3.73)	8 (16)	14.2 (1.6)	28-16 (0.5-1.5)	1.73 (0.2)	4.5 (0.5)
525 Vac to 600 Vac 50/60 Hz 3-phase	FR2	DM1-354D5...	4.5	7.5	14 (2.5)	10.5 (1.2)	10 (2.5)	7.1 (0.8)	28-16 (0.5-1.5)	1.73 (0.2)	4.5 (0.5)
		DM1-357D5...	7.5	10	14 (2.5)	10.5 (1.2)	10 (2.5)	7.1 (0.8)	28-16 (0.5-1.5)	1.73 (0.2)	4.5 (0.5)
		DM1-35010...	10	13.5	10 (6)	10.5 (1.2)	10 (6)	7.1 (0.8)	28-16 (0.5-1.5)	1.73 (0.2)	4.5 (0.5)
	FR3	DM1-35013...	13.5	18	10 (6)	10.5 (1.2)	8 (6)	14.2 (1.6)	28-16 (0.5-1.5)	1.73 (0.2)	4.5 (0.5)
	FR4	DM1-35018...	18	22	8 (10)	33 (3.73)	8 (10)	14.2 (1.6)	28-16 (0.5-1.5)	1.73 (0.2)	4.5 (0.5)
		DM1-35022...	22	27	8 (10)	33 (3.73)	8 (10)	14.2 (1.6)	28-16 (0.5-1.5)	1.73 (0.2)	4.5 (0.5)

Notes:

- ① Line and motor cable size is selected according to UL 61800-5-1 for copper conductor rated 75°C. Use only with copper wire rated 75°C here. Size requirements for other different wire types are defined in the National Electrical Code®, ANSI/NFPA® 70.
- ② Earthing conductor size is determined by the maximum overcurrent device rating used ahead of the drive according to UL 61800-5-1.
- ③ If power cubes or bypass are used, a UL listed Class J, T, CF, CC or equivalent fuse is recommended.

Cable and fuse guidelines

Table 22. North America cable and fuse sizes^{①②④}.

UL cable and fuse sizes

Input voltage	Frame size	Drive catalog number	Output rating		Input rating		UL application		Recommended type E CMC (max. Rating) 65 kAIC ^②	Recommended inverse-time molded-case circuit breaker (max. rating) 100 kAIC (Open type only for 3-phase) ^①	NEC wire size line and motor AWG	NEC wire size ground AWG	Terminal size line and motor AWG	Terminal size ground AWG
			CT/I _n current amps	VT/I _L current amps	CT/I _n current amps	VT/I _L current amps	Recommended fuse (Class J, T, CF, or CC) (max. rating) 100 kAIC ^①	Recommended miniature inverse-time molded-case circuit breaker (max. rating) 10/14 kAIC ^①						
100 Vac to 120 Vac 50/60 Hz 1-phase	FR1	DM1-111D6...	1.6	2.5	6.4	10	30	30	\	30	14	10	18-8	16-8
		DM1-113D0...	3	4.8	13.5	20	70	63	\	70	10	8	18-8	16-8
	FR2	DM1-114D8...	4.8	6.9	20	26.4	90	63	\	90	8	8	20-6	12-6
200 Vac to 240 Vac 50/60 Hz 1-phase	FR1	DM1-121D6...	1.6	2.5	4	6.5	15	15	\	15	14	14	18-8	16-8
		DM1-123D0...	3	4.8	8	11	30	30	\	30	14	10	18-8	16-8
		DM1-124D8...	4.8	7.8	11	17	60	63	\	60	10	8	18-8	16-8
	FR2	DM1-127D8...	7.8	11	18	23	80	63	\	80	10	8	20-6	12-6
		DM1-12011...	11	17.5	23	35	125	63	\	125	8	6	20-6	12-6
200 Vac to 240 Vac 50/60 Hz 3-phase	FR1	DM1-321D6...	1.6	2.5	2.1	3.3	6	5	XTPR6P3BC1 + XTPAXLSA or PKZM0-6.3 + BK25/3-PKZ0-E	15	14	14	18-8	16-10
		DM1-323D0...	3	4.8	3.9	5.8	15	10	XTPR6P3BC1 + XTPAXLSA or PKZM0-6.3 + BK25/3-PKZ0-E	15	14	14	18-8	16-10
		DM1-324D8...	4.8	7.8	5.8	9.4	20	15	XTPR010BC1 + XTPAXLSA or PKZM0-10 + BK25/3-PKZ0-E	15	14	12	18-8	16-10
		DM1-327D8...	7.8	11	9.4	13.2	30	20	XTPR016DC1 + XTPAXLSAD or PKZM4-16 + BK50/3-PKZ4-E	20	12	10	18-8	16-10
	FR2	DM1-32011...	11	17.5	12.7	20.1	40	30	XTPR025DC1 + XTPAXLSAD or PKZM4-25 + BK50/3-PKZ4-E	30	10	10	20-6	12-8
		DM1-32017...	17.5	25.3	20.1	29.1	60	40	XTPR032DC1 + XTPAXLSAD or PKZM4-32 + BK50/3-PKZ4-E	45	8	10	20-6	12-8
	FR3	DM1-32025...	25.3	32.2	29.1	37	70	50	XTPR040DC1 + XTPAXLSAD or PKZM4-40 + BK50/3-PKZ4-E	50	8	8	20-6	10-8
	FR4	DM1-32032...	32.2	48.3	35.4	53.1	100	\	\	80	4	8	20-2	8-6
		DM1-32048...	48.3	62.1	53.1	68.3	125	\	\	100	3	6	20-2	8-6

Chapter 5—Electrical installation

Table 22. North America cable and fuse sizes^{①②④} (continued).

UL cable and fuse sizes

Input voltage	Frame size	Drive catalog number	Output rating		Input rating		UL application		Recommended type E CMC (max. Rating) 65 kAIC ^②	Recommended inverte-time molded-case circuit breaker (max. rating) 10/14 kAIC ^①	Recommended fuse (Class J, T, CF, or CC) (max. rating) 100 kAIC ^①	Recommended inverte-time molded-case circuit breaker (max. rating) 100 kAIC (Open type only for 3-phase) ^①	NEC wire size line and motor AWG	NEC wire size ground AWG	Terminal size line and motor AWG	Terminal size ground AWG
			CT/I _L current amps	VT/I _L current amps	CT/I _L current amps	VT/I _L current amps	Recommended miniature inverse-time molded-case circuit breaker (max. rating) 10/14 kAIC ^①	Recommended fuse (Class J, T, CF, or CC) (max. rating) 100 kAIC ^①								
380 Vac to 480 Vac 50/60 Hz 3-phase	FR1	DM1-341D5...	1.5	2.2	1.8	2.6	6	4	XTPR6P3BC1 + XTPAXLSA or PKZM0-6.3 + BK25/3-PKZ0-E	15	14	14	18-8	16-10		
		DM1-342D2...	2.2	4.3	2.6	5.2	10	8	XTPR6P3BC1 + XTPAXLSA or PKZM0-6.3 + BK25/3-PKZ0-E	15	14	14	18-8	16-10		
		DM1-344D3...	4.3	5.6	5.2	6.7	15	10	XTPR010BC1 + XTPAXLSA or PKZM0-10 + BK25/3-PKZ0-E	15	14	14	18-8	16-10		
		DM1-345D6...	5.6	7.6	6.7	9.1	30	15	XTPR010BC1 + XTPAXLSA or PKZM0-10 + BK25/3-PKZ0-E	15	14	10	18-8	16-10		
	FR2	DM1-347D6...	7.6	12	9.1	14.4	30	20	XTPR016DC1 + XTPAXLSAD or PKZM4-16 + BK50/3-PKZ4-E	20	12	10	20-6	12-8		
		DM1-34012...	12	16	14.4	19.2	40	25	XTPR025DC1 + XTPAXLSAD or PKZM4-25 + BK50/3-PKZ4-E	30	10	10	20-6	12-8		
		DM1-34016...	16	23	19.2	27.6	60	32	XTPR032DC1 + XTPAXLSAD or PKZM4-32 + BK50/3-PKZ4-E	40	8	10	20-6	12-8		
	FR3	DM1-34023...	23	31	26.5	35.7	70	\	XTPR040DC1 + XTPAXLSAD or PKZM4-40 + BK50/3-PKZ4-E	50	8	8	20-6	10-8		
	FR4	DM1-34031...	31	38	35.7	43.7	70	\	XTPR050DC1 + XTPAXLSAD or PKZM4-50 + BK50/3-PKZ4-E	70	6	8	20-2	8-6		
		DM1-34038...	38	46	43.7	52.9	80	\	XTPR058DC1 + XTPAXLSAD or PKZM4-58 + BK50/3-PKZ4-E	80	4	8	20-2	8-6		
	525 Vac to 600 Vac 50/60 Hz 3-phase	FR2	DM1-354D5...	4.5	7.5	6	9	30	\	XTPR010BC1 + XTPAXLSA or PKZM0-10 + BK25/3-PKZ0-E	\	14	10	20-6	12-8	
			DM1-357D5...	7.5	10	9	12	40	\	XTPR016DC1 + XTPAXLSAD or PKZM4-16 + BK50/3-PKZ4-E	\	14	10	20-6	12-8	
DM1-35010...			10	13.5	12	16.2	50	\	XTPR025DC1 + XTPAXLSAD or PKZM4-25 + BK50/3-PKZ4-E	\	10	10	20-6	12-8		
FR3		DM1-35013...	13.5	18	16.2	21.6	70	\	XTPR025DC1 + XTPAXLSAD or PKZM4-25 + BK50/3-PKZ4-E	\	10	8	20-6	10-8		
FR4		DM1-35018...	18	22	21.6	26.4	80	\	XTPR032DC1 + XTPAXLSAD or PKZM4-32 + BK50/3-PKZ4-E	\	8	8	20-2	8-6		
		DM1-35022...	22	27	26.4	32.4	100	\	XTPR040DC1 + XTPAXLSAD or PKZM4-40 + BK50/3-PKZ4-E	\	8	8	20-2	8-6		

Notes:

- ① Can be any UL listed type with below ratings.
- ② Due to UL listing, only can be below Eaton types. Short-circuit rated 25 kA Max. for 600/347 Vac applications.
- ③ Line and motor cable size is selected according to UL 61800-5-1 for copper conductor rated 75°C. Use only with copper wire rated 75°C here. Size requirements for other different wire types are defined in the National Electrical Code®, ANSI/NFPA® 70.
- ④ Earthing conductor size is determined by the maximum overcurrent device rating used ahead of the drive according to UL 61800-5-1.
- ⑤ If power cubes or bypass are used, a UL listed Class J, T, CF, CC or equivalent fuse is recommended.
- ⑥ Refer to Appendix B for specific branch circuit protection devices types recommended by Eaton.

Table 23. International cable and fuse sizes^{①②}.

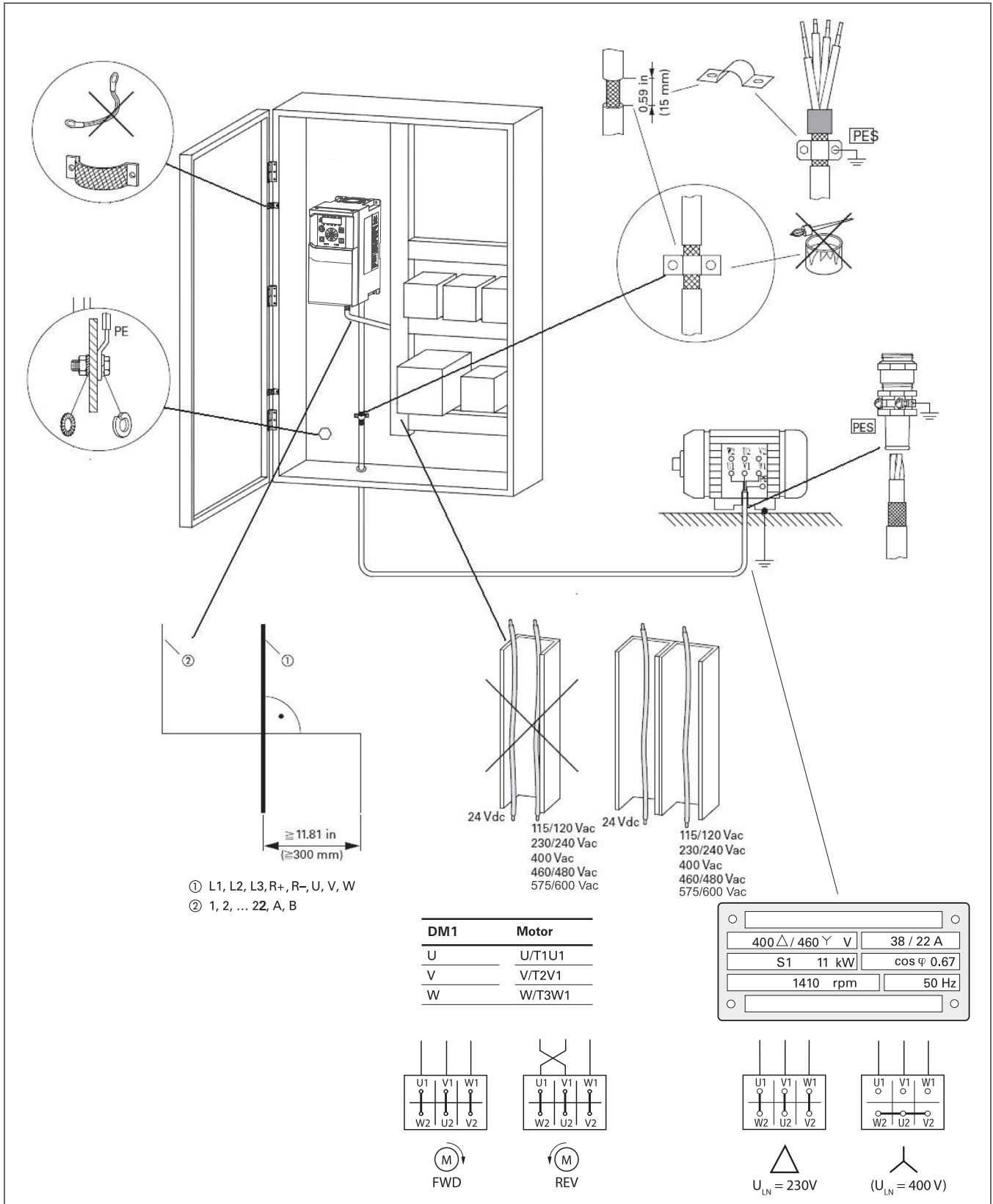
IEC cable and fuse sizes

Input voltage	Frame size	Catalog number	Output rating		Input rating		IEC application								
			CT/I _n current amps	VT/I _n current amps	CT/I _n current amps	VT/I _n current amps	Recommended fuse (max. rating) 100 kAIC ^③	Recommended miniature circuit breaker (max. rating) 10/14 kAIC	Recommended Type E CMC (max. rating) 65 kAIC	Recommended circuit breaker (max. rating) 100 kAIC (Open type only for 3-phase)	IEC cable size line and motor mm ²	IEC cable size ground mm ²	Terminal size line and motor mm ²	Terminal size ground mm ²	
100 Vac to 120 Vac 50/60 Hz 1-phase	FR1	DM1-111D6	1.6	2.5	6.4	10	30	30	\	30	2.5	2.5	0.2-6	1-6	
		DM1-113D0	3	4.8	13.5	20	70	63	\	70	6	6	0.2-6	1-6	
	FR2	DM1-114D8	4.8	6.9	20	26.4	90	63	\	90	10	10	0.5-16	1-10	
		DM1-116D9	6.9	7.8	26.4	30	125	63	\	125	10	10	0.5-16	1-10	
200 Vac to 240 Vac 50/60 Hz 1-phase	FR1	DM1-121D6	1.6	2.5	4	6.5	15	15	\	15	2.5	2.5	0.2-6	1-6	
		DM1-123D0	3	4.8	8	11	30	30	\	30	2.5	2.5	0.2-6	1-6	
		DM1-124D8	4.8	7.8	11	17	60	63	\	60	6	6	0.2-6	1-6	
	FR2	DM1-127D8	7.8	11	18	23	80	63	\	80	6	6	0.5-16	1-10	
		DM1-12011	11	17.5	23	35	125	63	\	125	10	10	0.5-16	1-10	
		DM1-12017	17.5	25.3	38	49.6	200	\	\	200	16	16	0.5-16	1-16	
	FR3	DM1-321D6	1.6	2.5	2.1	3.3	6	5	6.3	15	2.5	2.5	0.2-6	1.5-6	
		DM1-323D0	3	4.8	3.9	5.8	15	10	6.3	15	2.5	2.5	0.2-6	1.5-6	
DM1-324D8		4.8	7.8	5.8	9.4	20	15	10	15	2.5	2.5	0.2-6	1.5-6		
DM1-327D8		7.8	11	9.4	13.2	30	20	16	20	4	4	0.2-6	1.5-6		
DM1-32017		17.5	25.3	20.1	29.1	40	30	25	30	6	6	0.5-16	4-10		
FR4	DM1-32025	25.3	32.2	29.1	37	70	50	40	50	10	10	0.5-16	6-10		
	DM1-32032	32.2	48.3	35.4	53.1	100	\	\	80	25	16	0.5-35	10-16		
	DM1-32048	48.3	62.1	53.1	68.3	125	\	\	100	35	16	0.5-35	10-16		
380 Vac to 480 Vac 50/60 Hz 3-phase	FR1	DM1-341D5	1.5	2.2	1.8	2.6	6	4	6.3	15	2.5	2.5	0.2-6	1.5-6	
		DM1-342D2	2.2	4.3	2.6	5.2	10	8	6.3	15	2.5	2.5	0.2-6	1.5-6	
		DM1-344D3	4.3	5.6	5.2	6.7	15	10	10	15	2.5	2.5	0.2-6	1.5-6	
		DM1-345D6	5.6	7.6	6.7	9.1	30	15	10	15	2.5	2.5	0.2-6	1.5-6	
	FR2	DM1-347D6	7.6	12	9.1	14.4	30	20	16	20	4	4	0.5-16	4-10	
		DM1-34012	12	16	14.4	19.2	40	25	25	30	6	6	0.5-16	4-10	
		DM1-34016	16	23	19.2	27.6	60	32	32	40	10	10	0.5-16	4-10	
		DM1-34023	23	31	26.5	35.7	70	\	40	50	10	10	0.5-16	6-10	
	FR4	DM1-34031	31	38	35.7	43.7	70	\	50	70	16	16	0.5-35	10-16	
		DM1-34038	38	46	43.7	52.9	80	\	58	80	25	16	0.5-35	10-16	
	525 Vac to 600 Vac 50/60 Hz 3-phase	FR2	DM1-354D5	4.5	7.5	6	9	30	\	10	\	2.5	2.5	0.5-16	2.5-10
			DM1-357D5	7.5	10	9	12	40	\	16	\	2.5	2.5	0.5-16	2.5-10
DM1-35010			10	13.5	12	16.2	50	\	25	\	6	6	0.5-16	4-10	
FR3		DM1-35013	13.5	18	16.2	21.6	70	\	25	\	6	6	0.5-16	6-10	
		DM1-35018	18	22	21.6	26.4	80	\	32	\	10	10	0.5-35	10-16	
FR4		DM1-35022	22	27	26.4	32.4	100	\	40	\	10	10	0.5-35	10-16	

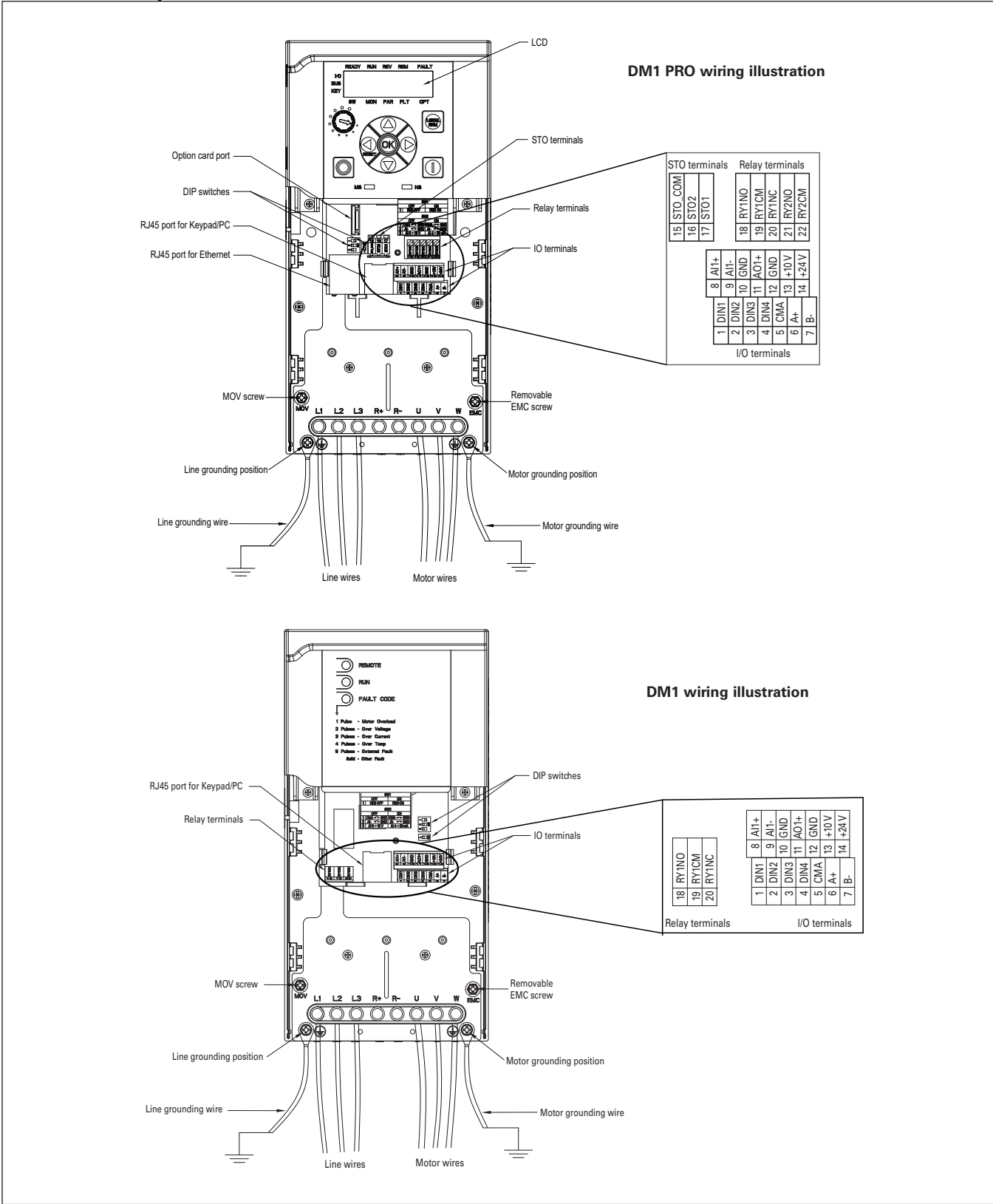
Notes:

- ① Line and motor cable size is selected according to IEC 60364-5-52 for copper conductor with PVC insulation with a wiring condition of ambient temperature 30°C in air and an installation method of “B2” (cables in conduit and cable trunking systems). For other wiring conditions, please refer to the standard of IEC 60364-5-52:2009 or suitable cable sizes.
- ② Earthing conductor size is determined by the cross-sectional area of phase conductors according to IEC/EN 61800-5-1. So if phase conductor size is changed, earthing conductor size should also be changed accordingly.
- ③ If power cubes or bypass are used, a class gG/gL fuse is recommended.

Installation overview for DM1

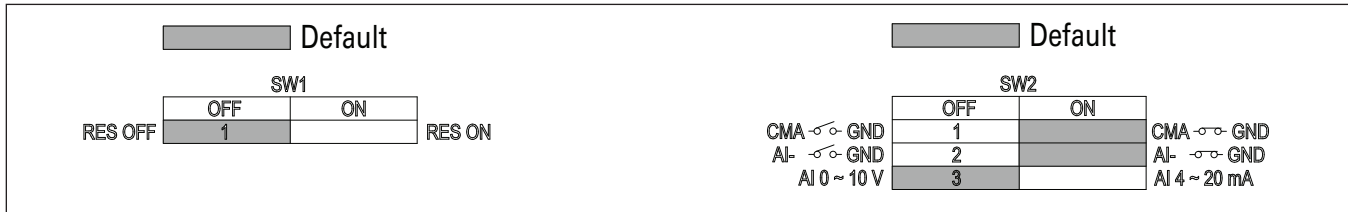


Control board layout



Factory-set control terminal functions

Table 24. I/O connection.





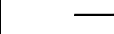






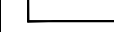

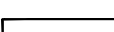
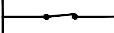
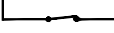
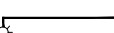
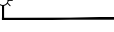

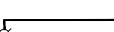
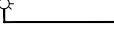



DM1

External wiring	Terminal	Short name	Name	Default setting	Description
	1	DI1	Digital input 1	Run forward	Starts the motor in the forward direction.
	2	DI2	Digital input 2	Run reverse	Start the motor in the reverse direction.
	3	DI3	Digital input 3	External fault	Triggers a fault in the drive.
	4	DI4	Digital input 4	Fault reset	Resets active faults in the drive.
	5	CMA	DI1 to DI4 common	Grounded	Allows for sourced input.
	6	A	RS-485 signal A	—	Fieldbus communication (Modbus RTU, BACNet).
	7	B	RS-485 signal B	—	Fieldbus communication (Modbus RTU, BACNet).
	8	AI1+ ⊕	Analog input 1	0 - 10 V	Voltage speed reference (programmable to 4 mA to 20 mA).
	9	AI1-	Analog input 1 ground	—	Analog input 1 common (ground).
	10	GND	I/O signal ground	—	I/O ground for reference and control.
	11	AO1+	Analog output 1	Output frequency	Shows output frequency to motor 0 - 60 Hz (4 mA to 20 mA).
	12	GND	I/O signal ground	—	I/O ground for reference and control.
	13	10 V	10 Vdc reference output	10.3 Vdc +/- 3%	10 Vdc reference voltage.
	14	24 V	24 Vdc control output	24 Vdc In/Out	Control voltage input/output (100 mA max.).
	18	R1NO	Relay 1 normally open	Run	Changes state when the drive is in the run state.
	19	R1CM	Relay 1 common		
	20	R1NC	Relay 1 normally closed		

Table 24. I/O connection (continued).

DM1 PRO

External wiring	Terminal	Short name	Name	Default setting	Description
	1	DI1	Digital input 1	Run forward	Starts the motor in the forward direction.
	2	DI2	Digital input 2	Run reverse	Start the motor in the reverse direction.
	3	DI3	Digital input 3	External fault	Triggers a fault in the drive.
	4	DI4	Digital input 4	Fault reset	Resets active faults in the drive.
	5	CMA	DI1 to DI4 common	Grounded	Allows for sourced input.
	6	A	RS-485 signal A	—	Fieldbus communication (Modbus RTU, BACNet).
	7	B	RS-485 signal B	—	Fieldbus communication (Modbus RTU, BACNet).
	8	AI1+ ①	Analog input 1	0 - 10 V	Voltage speed reference (programmable to 4 mA to 20 mA).
	9	AI1-	Analog input 1 ground	—	Analog input 1 common (ground).
	10	GND	I/O signal ground	—	I/O ground for reference and control.
	11	AO1+	Analog output 1	Output frequency	Shows output frequency to motor 0 - 60 Hz (4 mA to 20 mA).
	12	GND	I/O signal ground	—	I/O ground for reference and control.
	13	10 V	10 Vdc reference output	10.3 Vdc +/- 3%	10 Vdc reference voltage.
	14	24 V	24 Vdc control output	24 Vdc In/Out	Control voltage input/output (100 mA max.).
	15	STO_com	Safe torque common	—	Safe torque Off common.
	16	STO2	Safe torque Off 2	—	Safe torque Off 2 input.
	17	STO1	Safe torque Off 1	—	Safe torque Off 1 input.
	18	R1NO	Relay 1 normally open	Run	Changes state when the drive is in the run state.
	19	R1CM	Relay 1 common		
	20	R1NC	Relay 1 normally closed		
	21	R2NO	Relay 2 normally open	Fault	Changes state when the drive is in the fault state.
	22	R2CM	Relay 2 common		

Notes:

The above wiring demonstrates a SINK configuration. The SW2 position 1 is set to ON. If a SOURCE configuration is desired, wire 24 V to CMA and close the inputs to ground. When using the +10 V for AI1, SW2 position 2 set to ON.

① AI1+ support 10 K potentiometer.

Cable routing

If conduit is being used for wiring, use separate conduits for line voltage (mains), motor cables, and all interface/control wiring.

To meet the UL requirements, if conduit is being used for wiring, the enclosure openings provided for conduit connections in the field shall be closed by UL listed conduit fittings with the same type rating (Type 1) as the enclosure.

Avoid running motor cables alongside or parallel to any other wiring. If it is necessary to run motor cables with other wiring, then maintain spacing between motor cables and other wiring.

Wiring the VFD

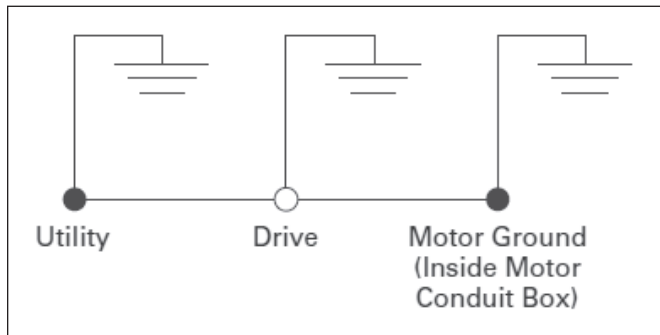
If three or more motor cables are used, each conductor must have its own overcurrent protection.

Note: Do not wire motor leads to R+, R-. This will cause damage to the drive.

Note: Actual layout may vary slightly by frame.

Ground wiring

- Run motor cables in separate conduit.
- DO NOT RUN CONTROL WIRES in same conduit.
- Cables sized per **Appendix B**.
- Provide **dedicated** wire for low impedance ground between drive and motor. DO NOT USE conduit as ground.



CAUTION

Improper grounding could result in damage to the motor and/or drive and could void warranty.

Checking the cable and motor insulation

1. Check the motor cable insulation as follows:
 - Disconnect the motor cable from terminals U, V, and W of the PowerXL Series drive and from the motor.
 - Measure the insulation resistance of the motor cable between each phase conductor as well as between each phase conductor and the protective ground conductor.
 - The insulation resistance must be >1M ohm.
2. Check the input power cable insulation as follows:
 - Disconnect the input power cable from terminals L1, L2, and L3 of the PowerXL Series drive and from the utility line feeder.
 - Measure the insulation resistance of the input power cable between each phase conductor as well as between each phase conductor and the protective ground conductor.
 - The insulation resistance must be >1M ohm.
3. Check the motor insulation as follows:
 - Disconnect the motor cable from the motor and open any bridging connections in the motor connection box.
 - Measure the insulation resistance of each motor winding. The measurement voltage must equal at least the motor nominal voltage but not exceed $(1.1 * 2 * \text{Sqrt}(2) * V_{dc})$.
 - The insulation resistance must be >1M ohm.

EMC installation

Note: All following information is strongly recommended but is not necessary if sufficient system design and validation has been completed.

The responsibility to meet the local system EMC limit values and electromagnetic compatibility requirements is the responsibility of the end user or the system operator. This operator must also take measures to minimize or remove emissions in the environment concerned (see **Figure 8**). He must also use means to increase the interference immunity of the system devices.

In a drive system (PDS) with frequency inverters, you should take measures for electromagnetic compatibility (EMC) while doing your planning, because changes or improvements to the installation site, which are required in the installation or while mounting, are normally associated with additional higher costs.

The technology and system of a frequency inverter cause the flow of high frequency leakage current during operation. All grounding measures must therefore be implemented with low impedance connections over a large surface area.

With leakage currents greater than 3.5 mA, in accordance with VDE 0160 or EN 61800-5-1, either:

- the protective earthing conductor must have a cross-section of at least 10 mm² Cu;
- the protective earthing conductor must be open-circuit monitored, and the supply must be automatically disconnected in case of discontinuity of the protective earthing conductor, or;
- the second protective earthing conductor must be fitted.

For an EMC-compliant installation, we recommend the following measures:

- Installation of the frequency inverter in a metallic, electrically conducting enclosure with a good connection to earth;
- Shielded motor cables (short cable lengths);
- Ground all conductive components and housings in a drive system using as short a line as possible with the greatest possible cross-section (Cu-braid).

EMC measures in the control panel

For EMC-compatible installation, connect all metallic parts of the device and the switching cabinet together over broad surfaces and so that high-frequencies will be conducted. Mounting plates and cabinet doors should make good contact and be connected with short HF-braided cables. It is recommended to avoid using painted surfaces (anodized, chromized). An overview of all EMC measures is provided in **Figure 8**.

Install the frequency inverter as directly as possible (without spacers) on a metal plate (mounting plate).

Route input and motor cables in the switch cabinet as close to the ground potential as possible. This is because free moving cables act as antennas.

When laying HF cables (for example, shielded motor cables) or suppressed cables (for example, input supply cables, control circuit and signal cables) in parallel, a minimum clearance of 11.81 in. (300 mm) is recommended in order to prevent the radiation of electromagnetic energy. Separate cable routing is also recommended when large voltage potential differences are involved. Any necessary crossed cabling between the control signal and power cables should be implemented at right angles (90 degrees).

It is recommended to never lay control or signal cables in the same duct as power cables. Analog signal cables (measured, reference and correction values) should be shielded.

Note: The shielded cables need to be grounded according to section "Screen earth kit" to grounding.

Earthing

The ground connection (PE) in the cabinet should be connected from the input supply to a central earth point (mounting plate). All protective conductors should be routed in star formation from this earth point and all conductive components of the PDS (frequency inverter, motor reactor, motor filter, main choke) are to be connected.

Avoid ground loops when installing multiple frequency inverters in one cabinet. Make sure that all metallic devices that are to be grounded have a broad area connection with the mounting plate.

Screen earth kit

Cables that are not shielded work like antennas (sending, receiving). Make sure that any cables that may carry disruptive signals (for example, motor cables) and sensitive cables (analog signal and measurement values) are shielded apart from one another with EMC-compatible connections.

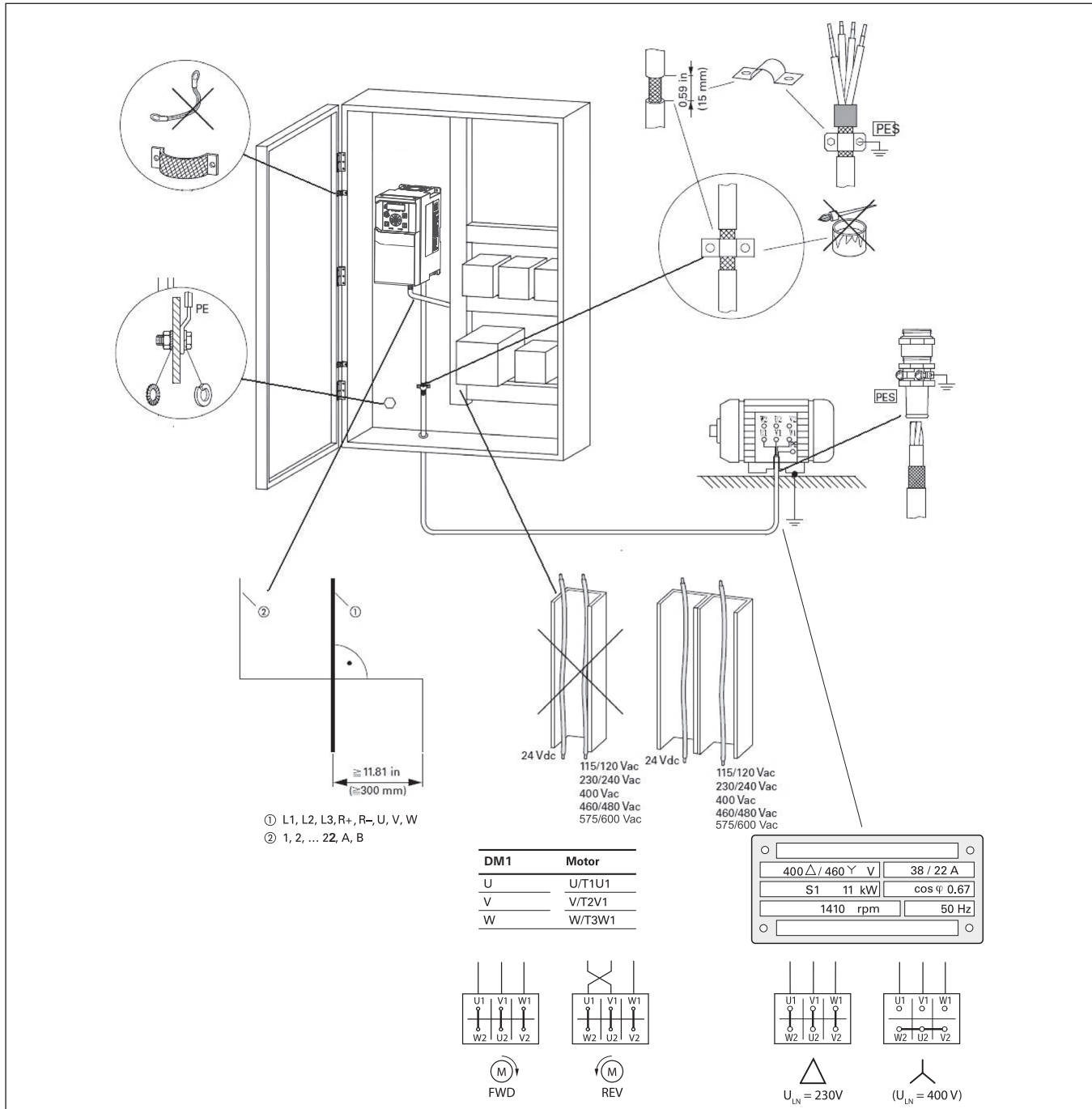
The effectiveness of the cable shield depends on a good shield connection and a low shield impedance.

It is recommended to use only shields with tinned or nickel-plated copper braiding. Braided steel shields are unsuitable.

Control and signal lines (analog, digital) should be grounded on one end, in the immediate vicinity of the supply voltage source (PES).

Installation requirements

Figure 8. EMC-compliant setup - 230 Vac, 460/480 Vac, 600 Vac.



Notes: ① Power cable: L1, L2, L3 and U, V, W.

② Control and signal lines: 1 to 24, fieldbus connection large-area connection of all metallic control panel components. Mounting surfaces of frequency inverter and cable shielding must be free from paint. Connect the cable shielding in the output of the frequency inverter with a large surface area contact to the ground potential (PES). Large-area cable shield contacts with motor. Large-area earth connection of all metallic parts.

International EMC protection cable requirements

The screened cables between the variable frequency drive and the motor should be as short as possible.

- Connect the screening, on both sides and across a large area (360° overlap), to the protective earth (PE). The power screening protective earth (PES) connection should be in the immediate proximity of the variable frequency drive and directly on the motor terminal box.
- Prevent the screening from becoming unbraided, e.g., by pushing the opened plastic sheath over the end of the screening or with a rubber grommet on the end of the screening. As an alternative, in addition to a broad area cable clip, you can also twist the shielding braid at the end and connect to protective ground with a cable clip. To prevent EMC disturbance, this twisted shielding connection should be made as short as possible.
- Screened three- or four-wire cable is recommended for the motor cables. The green/yellow line of a four-wire cable connects the protective ground connections from the motor and the variable frequency drive and therefore minimizes the equalizing current loads on the shielding braid.
- If there are additional subassemblies in a motor feeder (such as motor contactors, overload relays, motor reactor, sinusoidal filters or terminals), the shielding of the motor cable can be interrupted close to these subassemblies and connected to the mounting plate (PES) with a large area connection.

Unshielded or shielded connection cables should not be any longer than about 200 mm.

Table 25. Environment EMC levels^①.

Cable Type	Category C2	Category C3	Category C4 ^②
Line voltage/mains	1	1	1
Motor cable	3 ^③	3	3
Control cable	4	4	4

Notes:

- ① For EMC C2&C3 requirements on DM1 series drive, use provided core with input&output wires going through it once. Refer to section “FR1 mounting instructions”, “FR2 mounting instructions”, “FR3 mounting instructions”, “FR4 mounting instructions”.
- ② For installations in IT systems, it is necessary to modify the EMC protection to EMC level C4. See the following page for the procedure.
- ③ 360° earthing of the shield with cable glands in motor end needed for EMC Level C2. See the following page for the procedure.
- ④ Control cable needs to follow the section “Screen earth kit” to grounding.

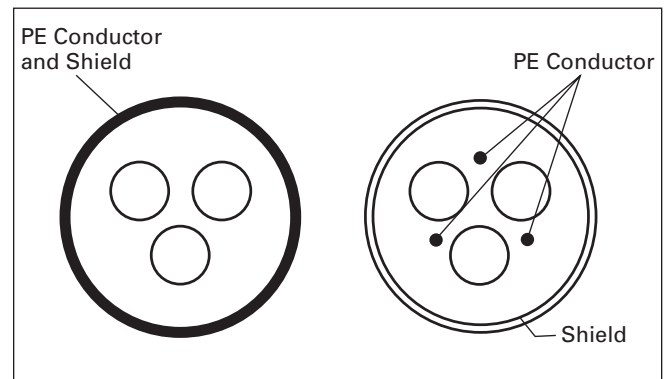
Table 26. Motor power cable EMC guidelines.

Item	Directive
Product	IEC 61800-2
Safety	UL 61800-5-1, IEC/EN 61800-5-1
EMC (at default settings)	Immunity (EMS): IEC/EN 61800-3, 2nd environment Radiated and Conducted emissions (EMI): IEC/EN 61800-3 230/480V Series: Category C1: is possible with external filter connected to drive. Please consult factory Category C2: with internal filter maximum of 5 m motor cable length Category C3: with internal filter maximum of 25 m motor cable length

Table 27. Cable categories.

Cable category	Description (All cables are rated for the specific operating voltage)
1	Intended for fixed installation.
2	Symmetrical power cable equipped with a concentric protection wire.
3	Symmetrical power cable with compact low-impedance shield. Recommended cable transfer impedance of 1–30 MHz max. See figure below.
4	Screened cable equipped with compact low-impedance shield.

Figure 9. Cable description.



Installation in corner-grounded network and IT system

Corner grounding and IT system are allowed for all the drive types.

In these circumstances, the EMC protection class must be changed to level C4. This is done by removing the built-in EMC and MOV screws with a simple procedure described below.

WARNING

Do not perform any modifications on the AC drive when it is connected to mains.

WARNING

Electric shock hazard—risk of injuries! Carry out wiring work only if the unit is de-energized.

After disconnecting the supply, wait at least five minutes before removing the cover to allow the intermediate circuit capacitors to discharge.

WARNING

Failure to follow these instructions will result in death or serious injury.

Remove the main cover of the AC drive and remove the EMC/MOV screws depending on frame size (see **Figure 10–Figure 11**). Once the screw is removed, it can be reconnected to re-engage the EMC protection.

Figure 10. Location of the EMC/MOV screw in frame 1.

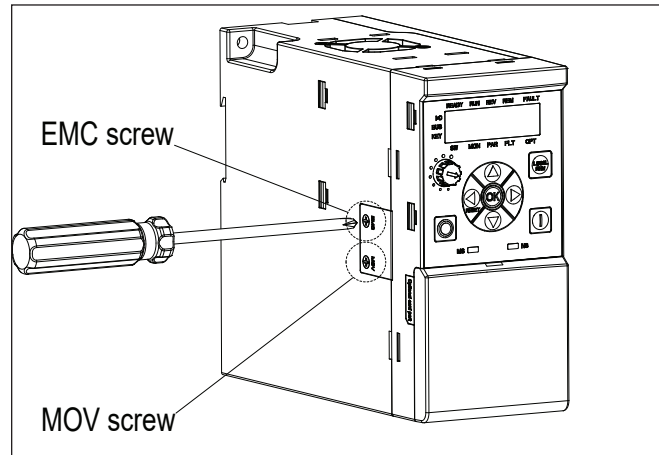
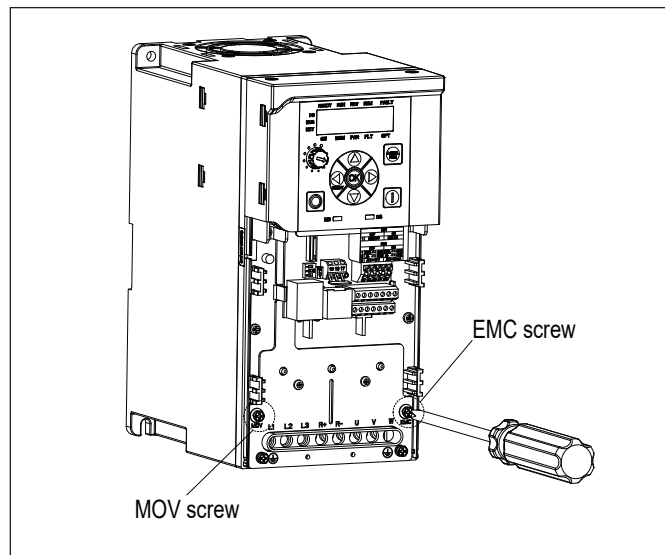


Figure 11. Location of the EMC/MOV screws in frame 2-4.



I/O connection

- Run 240 Vac and 24 Vdc control wiring in separate conduit.
- Communication wire to be twisted and shielded.

Appendix A—Technical data and specifications

Technical data

Table 28. PowerXL DM1 Series specifications .

Section	Description	Specification	
Input ratings	Rated input voltage	115 V 1-phase: 100-120 Vac 1-phase 230 V 1-phase: 200-240 Vac 1-phase 230 V 3-phase: 200-240 Vac 3-phase 480 V 3-phase: 380-480 Vac 3-phase 575 V 3-phase: 525-600 Vac 3-phase	
	Voltage tolerance	-15%/10%	
	Input frequency	45 Hz to 65Hz	
	Input THD	>120%	
	Connection to power	Once per minute or less	
	Starting delay	4 s	
	Short-circuit withstand rating	100 kAIC (Fuses and circuit breakers) 65 kAIC (Type E CMC) 14 kAIC (Miniature breakers) 5 kAIC (All)	
	Power ride-thru	100 ms	
	Logic control ride-thru	.5 s Min, 2 s typical	
	Total watts loss	Typical efficiency 97.5% for 3-phase	
	Output ratings	Output voltage	115 V 1-phase input: 0-2*Vin 3-phase 230 V 1-phase input: 0-Vin 3-phase 230 V 3-phase input: 0-Vin 3-phase 480 V 3-phase input: 0-Vin 3-phase 575 V 3-phase input: 0-Vin 3-phase
		Continuous output current	IL: ambient temperature maximum 40°C, up to 60°C with derating, overload 1.1 x IL (1 min/10 min) IH: ambient temperature maximum 50°C, up to 60°C with derating, overload 1.5 x IH (1 min/10 min)
Overload current		150% of drive rating for constant torque 110% of drive rating for variable torque	
Initial output current		200% (2 sec/20 sec)	
Output frequency		0-400 Hz (standard)	
Frequency resolution		0.01 Hz	
Control characteristics		Control methods	Frequency control Speed control PM motor speed control
		Performance: V/Hz (volts per Hertz) SVC (sensorless vector) PM motor	±0.5% of base speed across a 30:1 speed range ±0.5% of base speed across a 60:1 speed range ±0.5% of base speed, up to a 20:1 speed range
	Switching frequency	1 kHz to 16 kHz Automatic switching frequency derating in case of overload	
	Frequency reference	Analog input: resolution 0.1% (10-bit), accuracy +1% Analog output: resolution 0.1% (10-bit), accuracy +1% Panel reference: resolution 0.01 Hz	
	Field weakening point	20 Hz to 400 Hz	
	Acceleration time	0.1 s to 3000 s	
	Deceleration time	0.1 s to 3000 s	
	Braking torque	DC brake: 30% x motor rated torque (Tn) (without brake chopper) Dynamic braking (with optional brake chopper using an external brake resistor): 100% continuous maximum rating	
Protections	Overvoltage protection	Yes	
	Overvoltage trip limit	115 V 1-phase: 430 Vdc 230 V 1-phase: 430 Vdc 230 V 3-phase: 430 Vdc 480 V 3-phase: 850 Vdc 575 V 3-phase:1050 Vdc	
	Undervoltage protection	Yes	

Appendix A—Technical data and specifications

Table 28. PowerXL DM1 Series specifications (continued).

Section	Description	Specification	
	Undervoltage trip limit	115 V 1-phase: 175 Vdc 230 V 1-phase: 175 Vdc 230 V 3-phase: 210 Vdc 480 V 3-phase: 390 Vdc 575 V 3-phase: 560 Vdc	
	Earth fault protection	Yes	
	Input phase supervision	Yes	
	Motor phase supervision	Yes	
	Overcurrent protection	Yes	
	Unit overtemperature protection	Yes	
	Motor overload protection	Yes	
	Motor stall protection	Yes	
	Motor underload protection	Yes	
	DC bus overvoltage control	Yes	
	Short-circuit protection of 24V supply	No	
	Surge protection	Yes (differential mode 1 kV; common mode 2 kV)	
Control section	Control voltage	24 Vdc, max 100mA	
	Reference voltage	10.3 Vdc max 10mA	
	Digital Inputs:		
	• Quantity	4 programmable	
	• Type	Positive or negative logic; 18 to 30 Vdc,	
	• Maximum switching speed	1 kHz	
	Relay output:		
	• Quantity	2 programmable (1 Form C relay and 1 N/O form A relay) Note: DM1 pro only. DM1 has only 1 form A relay on board	
	• Specification	Switching capacity: • Resistive rating: 3.0 A @ 30 Vdc, 3.0 A @ 125 V, 3.0 A @ 240 Vac • Inductive rating: 0.5 A @ 30 Vdc, 0.5 A @ 125 V, 0.5 A @ 240 Vac	
	Analog Input:		
	• Quantity	1 dipswitch selectable 0-10 Vdc or 0/4 to 20 mA	
	• Specification	Resolution 0-10 Vdc analog 4-20 mA analog External pot	10-bit 100k ohm input impedance 250 ohm input impedance 1-10kohm, 2 watt minimum
	Analog Output:		
	• Quantity	1 dipswitch selectable 0-10Vdc or 4 to 20mA	
• Specification	Resolution 0-10 Vdc analog 0/4-20 mA analog	10-bit 10 mA max RL max 500 ohm	
Communications	Ethernet I/P	Onboard *(DM1 Pro only)	
	Modbus TCP	Onboard *(DM1 Pro only)	
	BACnet I/P	Onboard *(DM1 Pro only)	
	Modbus RTU	Onboard	
	BACnet MSTP	Onboard *(DM1 Pro only)	
	SmartWire D/T	Optional *(DM1 Pro only)	
	Profibus	Optional *(DM1 Pro only)	
	CANOPEN	Optional *(DM1 Pro only)	
Environmental	Ambient operating temperature	-10°C (no frost) to +50°C, up to +60°C with derating (CT) -10°C (no frost) to +40°C, up to +60°C with derating (VT)	
	Storage temperature	-40°C to +70°C	
	Relative humidity	0-95% RH, noncondensing, non-corrosive	

Table 28. PowerXL DM1 Series specifications (continued).

Section	Description	Specification
	Air quality: <ul style="list-style-type: none"> • Chemical vapors • Mechanical particles 	Tested according to IEC 60068-2-60 Test Key: Flowing mixed gas corrosion test, method 1 (H ₂ S [hydrogen sulfide] and SO ₂ [sulfur dioxide]) Designed according to: IEC 60721-3-3, unit in operation, class 3C2
	Vibration: <ul style="list-style-type: none"> • EN 61800-5-1 • EN 60068-2-6 	Vibration test at operating status Displacement amplitude: 0.075 mm (peak) at 10 Hz to 57 Hz Maximum acceleration amplitude: 1g at 57 Hz to 150 Hz
	Shock: <ul style="list-style-type: none"> • EN 60068-2-27 	Shock test at operating status Peak acceleration: 15 g Duration: 11 ms
	Transportation: <ul style="list-style-type: none"> • ISTA 1 A 	Transported as a single device in a separate package, Vibration test and drop test per ISTA 1A
	Overvoltage	Overvoltage Category III
	Pollution degree	Pollution Degree 2
	Enclosure Class	IP20 standard in entire kW/hp range NEMA 1 / UL Type 1 with accessory kit
	EMC	EN 61800-3, 2nd environment
	Altitude	100% load capacity (no derating) up to 3280 ft (1000 m) 1% derating for each 328 ft (100 m) above 3280 ft (1000 m) up to 6562 ft (2000 m) (UL listing) up to 13123 ft (4000 m) (without UL listing) If the installation site is higher than 6562 ft (2000 m) above sea level, contact your local Eaton representative for further information.
	MTBF	300,000 Hours
Standards	Safety	UL 61800-5-1, CSA C22.2 No. 274-17, IEC/EN 61800-5-1
	EMC	EN 61800-3, 2nd environment, Category 2
	STO	Cat. 3 / PL d acc. to ISO 13849-1 SIL 2 / SIL CL 2 acc. to IEC 61800-5-2 / IEC 62061 / IEC 61508
	MD	IEC/EN 60204-1
	RoHS	EN IEC 63000
	Eco-design	IE2 acc to IEC/EN 61800-9-2, (90; 100) losses are marked on rating labels. Other details can found at: http://eaton.com/EcoDesign-VFD .
	Electrostatic discharge	Second environment, IEC 61000-4-2, 4 kV CD or 8 kV AD, Criterion B
	Fast transient burst	Second environment, IEC 61000-4-4, 2 kV/5 kHz, Criterion B
	Approvals	CE, UL and cUL, UKCA, EAC, RCM (C-Tick), RoHS, TUV (STO), FCC (Bluetooth), IC SIG BQB

Appendix B—Installation guidelines

Cable and fuse sizing

Table 29. UL cable and fuse sizes.

Input voltage	Frame size	Drive catalog number	Output rating		Input rating		UL application		Recommended fuse (Class J, T, CF or CC) (max rating) 100 kAIC ^①	Recommended miniature inverse-time molded-case circuit breaker (max rating) 10/14 kAIC ^①	Recommended Type E CMC (max rating) 65 kAIC ^②	Recommended inverse-time molded-case circuit breaker (max rating) 100 kAIC (open type only for 3-phase) ^①	NEC wire size line and motor AWG	NEC wire size ground AWG	Terminal size line and motor AWG	Terminal size ground AWG
			CT/I _H current amps	VT/I _L current amps	CT/I _H current amps	VT/I _L current amps	Recommended fuse (Class J, T, CF or CC) (max rating) 100 kAIC ^①	Recommended miniature inverse-time molded-case circuit breaker (max rating) 10/14 kAIC ^①								
100 Vac to 120 Vac 50/60 Hz 1-phase	FR1	DM1-111D6...	1.6	2.5	6.4	10	30	FAZ-C30/3-NA (10kA)	\	EGC3030FFG	14	10	18-8	16-8		
		DM1-113D0...	3	4.8	13.5	20	70	FAZ-C63/3-NA (10kA)	\	EGC3070FFG	10	8	18-8	16-8		
	FR2	DM1-114D8...	4.8	6.9	20	26.4	90	FAZ-C30/3-NA (10kA)	\	EGC3090FFG	8	8	20-6	12-6		
		DM1-116D9...	6.9	7.8	26.4	30	125	FAZ-C63/3-NA (10kA)	\	EGC3125FFG	8	6	20-6	12-6		
200 Vac to 240 Vac 50/60 Hz 1-phase	FR1	DM1-121D6...	1.6	2.5	4	6.5	15	FAZ-C15/3-NA (14kA)	\	EGC3015FFG	14	14	18-8	16-8		
		DM1-123D0...	3	4.8	8	11	30	FAZ-C63/3-NA (10kA)	\	EGC3030FFG	14	10	18-8	16-8		
		DM1-124D8...	4.8	7.8	11	17	60	FAZ-C63/3-NA (10kA)	\	EGC3060FFG	10	8	18-8	16-8		
	FR2	DM1-127D8...	7.8	11	18	23	80	FAZ-C63/3-NA (10kA)	\	EGC3080FFG	10	8	20-6	12-6		
		DM1-12011...	11	17.5	23	35	125	FAZ-C63/3-NA (10kA)	\	EGC3125FFG	8	6	20-6	12-6		
		FR3	DM1-12017...	17.5	25.3	38	49.6	200	\	\	JGC3200FAG	6	6	20-6	8-6	
200 Vac to 240 Vac 50/60 Hz 3-phase	FR1	DM1-321D6...	1.6	2.5	2.1	3.3	6	FAZ-C5/3-NA ^(10kA)	XTPR6P3BC1 + XTPAXLSA or PKZM0-6.3 + BK25/3-PKZ0-E	EGC3015FFG	14	14	18-8	16-10		
		DM1-323D0...	3	4.8	3.9	5.8	15	FAZ-C10/3-NA ^(10kA)	XTPR6P3BC1 + XTPAXLSA or PKZM0-6.3 + BK25/3-PKZ0-E	EGC3015FFG	14	14	18-8	16-10		
		DM1-324D8...	4.8	7.8	5.8	9.4	20	FAZ-C15/3-NA ^(14kA)	XTPR010BC1 + XTPAXLSA or PKZM0-10 + BK25/3-PKZ0-E	EGC3015FFG	14	12	18-8	16-10		
		DM1-327D8...	7.8	11	9.4	13.2	30	FAZ-C20/3-NA ^(14kA)	XTPR016DC1 + XTPAXLSAD or PKZM4-16 + BK50/3-PKZ4-E	EGC3020FFG	12	10	18-8	16-10		

Table 29. UL cable and fuse sizes (continued).

Input voltage	Frame size	Drive catalog number	Output rating		Input rating		UL application		Recommended fuse (Class J, T, CF or CC) (max rating) 100 kAIC ^①	Recommended miniature inverse-time molded-case circuit breaker (max rating) 10/14 kAIC ^①	Recommended Type E CMC (max rating) 65 kAIC ^②	Recommended inverse-time molded-case circuit breaker (max rating) 100 kAIC (open type only for 3-phase) ^①	NEC wire size line and motor AWG	NEC wire size ground AWG	Terminal size line and motor AWG	Terminal size ground AWG
			CT/I _n current amps	VT/I _n current amps	CT/I _n current amps	VT/I _n current amps										
200 Vac to 240 Vac 50/60 Hz 3-phase	FR2	DM1-32011...	11	17.5	12.7	20.1	40	FAZ-C30/3-NA ^(10kA)	XTPR025DC1 + XTPAXLSAD or PKZM4-25 + BK50/3-PKZ4-E	EGC3030FFG	10	10	20-6	12-8		
		DM1-32017...	17.5	25.3	20.1	29.1	60	FAZ-C40/3-NA ^(10kA)	XTPR032DC1 + XTPAXLSAD or PKZM4-32 + BK50/3-PKZ4-E	EGC3045FFG	8	10	20-6	12-8		
	FR3	DM1-32025...	25.3	32.2	29.1	37	70	FAZ-C50/3-NA ^(10kA)	XTPR040DC1 + XTPAXLSAD or PKZM4-40 + BK50/3-PKZ4-E	EGC3050FFG	8	8	20-6	10-8		
	FR4	DM1-32032...	32.2	48.3	35.4	53.1	100	\	\	EGC3080FFG	4	8	20-2	8-6		
		DM1-32048...	48.3	62.1	53.1	68.3	125	\	\	EGC3100FFG	3	6	20-2	8-6		
380 Vac to 480 Vac 50/60 Hz 3-Phase	FR1	DM1-341D5...	1.5	2.2	1.8	2.6	6	FAZ-C4/3-NA ^(10kA)	XTPR6P3BC1 + XTPAXLSA or PKZM0-6.3 + BK25/3-PKZ0-E	EGC3015FFG	14	14	18-8	16-10		
		DM1-342D2...	2.2	4.3	2.6	5.2	10	FAZ-C8/3-NA ^(10kA)	XTPR6P3BC1 + XTPAXLSA or PKZM0-6.3 + BK25/3-PKZ0-E	EGC3015FFG	14	14	18-8	16-10		
		DM1-344D3...	4.3	5.6	5.2	6.7	15	FAZ-C10/3-NA ^(10kA)	XTPR010BC1 + XTPAXLSA or PKZM0-10 + K25/3-PKZ0-E	EGC3015FFG	14	14	18-8	16-10		
		DM1-345D6...	5.6	7.6	6.7	9.1	30	FAZ-C15/3-NA ^(14kA)	XTPR010BC1 + XTPAXLSA or PKZM0-10 + BK25/3-PKZ0-E	EGC3015FFG	14	10	18-8	16-10		
	FR2	DM1-347D6...	7.6	12	9.1	14.4	30	FAZ-C20/3-NA ^(14kA)	XTPR016DC1 + XTPAXLSAD or PKZM4-16 + BK50/3-PKZ4-E	EGC3020FFG	12	10	20-6	12-8		
		DM1-34012...	12	16	14.4	19.2	40	FAZ-C25/3-NA ^(14kA)	XTPR025DC1 + XTPAXLSAD or PKZM4-25 + BK50/3-PKZ4-E	EGC3030FFG	10	10	20-6	12-8		
		DM1-34016...	16	23	19.2	27.6	60	FAZ-C32/3-NA ^(10kA)	XTPR032DC1 + XTPAXLSAD or PKZM4-32 + BK50/3-PKZ4-E	EGC3040FFG	8	10	20-6	12-8		
	FR3	DM1-34023...	23	31	26.5	35.7	70	\	XTPR040DC1 + XTPAXLSAD or PKZM4-40 + BK50/3-PKZ4-E	EGC3050FFG	8	8	20-6	10-8		

Notes:

① Can be any UL listed types with the same ratings.

② Due to UL listing, only can be below Eaton types. Short circuit capacity rated 25 kA maximum for 600/347 Vac applications.

Appendix B—Installation guidelines

Table 29. UL cable and fuse sizes (continued).

Input voltage	Frame size	Drive catalog number	Output rating		Input rating		UL application		Recommended fuse (Class J, T, CF or CC) (max rating) 100 kAIC ^①	Recommended miniature inverse-time molded-case circuit breaker (max rating) 10/14 kAIC ^①	Recommended Type E CMC (max rating) 65 kAIC ^②	Recommended inverse-time molded-case circuit breaker (max rating) 100 kAIC (open type only for 3-phase) ^①	NEC wire size line and motor AWG	NEC wire size ground AWG	Terminal size line and motor AWG	Terminal size ground AWG
			CT/I _n current amps	VT/I _n current amps	CT/I _n current amps	VT/I _n current amps										
380 Vac to 480 Vac 50/60 Hz 3-Phase (cont.)	FR4	DM1-34031...	31	38	35.7	43.7	70	\	XTPR050DC1 + XTPAXLSAD or PKZM4-50 + BK50/3-PKZ4-E	EGC3070FFG	6	8	20-2	8-6		
		DM1-34038...	38	46	43.7	52.9	80	\	XTPR050DC1 + XTPAXLSAD or PKZM4-58 + BK50/3-PKZ4-E	EGC3080FFG	4	8	20-2	8-6		
525 Vac to 600 Vac 50/60 Hz 3-Phase	FR2	DM1-354D5...	4.5	7.5	6	9	30	\	XTPR010BC1 + XTPAXLSA or PKZM0-10 + BK25/3-PKZ0-E	\	14	10	20-6	12-8		
		DM1-357D5...	7.5	10	9	12	40	\	XTPR016DC1 + XTPAXLSAD or PKZM4-16 + BK50/3-PKZ4-E	\	14	10	20-6	12-8		
		DM1-35010...	10	13.5	12	16.2	50	\	XTPR025DC1 + XTPAXLSAD or PKZM4-25 + BK50/3-PKZ4-E	\	10	10	20-6	12-8		
	FR3	DM1-35013...	13.5	18	16.2	21.6	70	\	XTPR025DC1 + XTPAXLSAD or PKZM4-25 + BK50/3-PKZ4-E	\	10	8	20-6	10-8		
	FR4	DM1-35018...	18	22	21.6	26.4	80	\	XTPR032DC1 + XTPAXLSAD or PKZM4-32 + BK50/3-PKZ4-E	\	8	8	20-2	8-6		
	DM1-35022...	22	27	26.4	32.4	100	\	XTPR040DC1 + XTPAXLSAD or PKZM4-40 + BK50/3-PKZ4-E	\	8	8	20-2	8-6			

Notes:

① Can be any UL listed types with the same ratings.

② Due to UL listing, only can be below Eaton types. Short circuit capacity rated 25 kA maximum for 600/347 Vac applications.

Table 30. IEC cable and fuse sizes.

Input voltage	Frame size	Drive catalog number	Output rating		Input rating		IEC application							
			CT/I _n current amps	VT/I _n current amps	CT/I _n current amps	VT/I _n current amps	Recommended fuse (max rating) 100 kAIC	Recommended miniature circuit breaker (max rating) 10/14 kAIC	Recommended Type E CMC (max. rating) 65 kAIC	Recommended circuit breaker (max rating) 100 kAIC (open type only for 3-phase)	IEC cable size line and motor mm ²	IEC cable size ground mm ²	Terminal size line and motor mm ²	Terminal size ground mm ²
100 Vac to 120 Vac 50/60 Hz 1-phase	FR1	DM1-111D6...	1.6	2.5	6.4	10	30	30	\	30	2.5	2.5	0.2-6	1-6
		DM1-113D0...	3	4.8	13.5	20	70	63	\	70	6	6	0.2-6	1-6
	FR2	DM1-114D8...	4.8	6.9	20	26.4	90	63	\	90	10	10	0.5-16	1-10
		DM1-116D9...	6.9	7.8	26.4	30	125	63	\	125	10	10	0.5-16	1-10
200 Vac to 240 Vac 50/60 Hz 1-phase	FR1	DM1-121D6...	1.6	2.5	4	6.5	15	15	\	15	2.5	2.5	0.2-6	1-6
		DM1-123D0...	3	4.8	8	11	30	30	\	30	2.5	2.5	0.2-6	1-6
		DM1-124D8...	4.8	7.8	11	17	60	63	\	60	6	6	0.2-6	1-6
	FR2	DM1-127D8...	7.8	11	18	23	80	63	\	80	6	6	0.5-16	1-10
		DM1-12011...	11	17.5	23	35	125	63	\	125	10	10	0.5-16	1-10
	FR3	DM1-12017...	17.5	25.3	38	49.6	200	\	\	200	16	16	0.5-16	1-16
200 Vac to 240 Vac 50/60 Hz 3-phase	FR1	DM1-321D6...	1.6	2.5	2.1	3.3	6	5	6.3	15	2.5	2.5	0.2-6	1.5-6
		DM1-323D0...	3	4.8	3.9	5.8	15	10	6.3	15	2.5	2.5	0.2-6	1.5-6
		DM1-324D8...	4.8	7.8	5.8	9.4	20	15	10	15	2.5	2.5	0.2-6	1.5-6
		DM1-327D8...	7.8	11	9.4	13.2	30	20	16	20	4	4	0.2-6	1.5-6
	FR2	DM1-32011...	11	17.5	12.7	20.1	40	30	25	30	6	6	0.5-16	4-10
		DM1-32017...	17.5	25.3	20.1	29.1	60	40	32	45	10	10	0.5-16	4-10
	FR3	DM1-32025...	25.3	32.2	29.1	37	70	50	40	50	10	10	0.5-16	6-10
	FR4	DM1-32032...	32.2	48.3	35.4	53.1	100	\	\	80	25	16	0.5-35	10-16
DM1-32048...		48.3	62.1	53.1	68.3	125	\	\	100	35	16	0.5-35	10-16	

Appendix B—Installation guidelines

Table 30. IEC cable and fuse sizes (continued).

Input voltage	Frame size	Drive catalog number	Output rating		Input rating		IEC application								
			CT/I _n current amps	VT/I _n current amps	CT/I _n current amps	VT/I _n current amps	Recommended fuse (max rating) 100 kAIC	Recommended miniature circuit breaker (max rating) 10/14 kAIC	Recommended Type E CMC (max. rating) 65 kAIC	Recommended circuit breaker (max rating) 100 kAIC (open type only for 3-phase)	IEC cable size line and motor mm ²	IEC cable size ground mm ²	Terminal size line and motor mm ²	Terminal size ground mm ²	
380 Vac to 480 Vac 50/60 Hz 3-Phase	FR1	DM1-341D5...	1.5	2.2	1.8	2.6	6	4	6.3	15	2.5	2.5	0.2-6	1.5-6	
		DM1-342D2...	2.2	4.3	2.6	5.2	10	8	6.3	15	2.5	2.5	0.2-6	1.5-6	
		DM1-344D3...	4.3	5.6	5.2	6.7	15	10	10	15	2.5	2.5	0.2-6	1.5-6	
		DM1-345D6...	5.6	7.6	6.7	9.1	30	15	10	15	2.5	2.5	0.2-6	1.5-6	
	FR2	DM1-347D6...	7.6	12	9.1	14.4	30	20	16	20	4	4	0.5-16	4-10	
		DM1-34012...	12	16	14.4	19.2	40	25	25	30	6	6	0.5-16	4-10	
		DM1-34016...	16	23	19.2	27.6	60	32	32	40	10	10	0.5-16	4-10	
	FR3	DM1-34023...	23	31	26.5	35.7	70	\	40	50	10	10	0.5-16	6-10	
	FR4	DM1-34031...	31	38	35.7	43.7	70	\	50	70	16	16	0.5-35	10-16	
		DM1-34038...	38	46	43.7	52.9	80	\	58	80	25	16	0.5-35	10-16	
	525 Vac to 600 Vac 50/60 Hz 3-phase	FR2	DM1-354D5...	4.5	7.5	6	9	30	\	10	\	2.5	2.5	0.5-16	2.5-10
			DM1-357D5...	7.5	10	9	12	40	\	16	\	2.5	2.5	0.5-16	2.5-10
DM1-35010...			10	13.5	12	16.2	50	\	25	\	6	6	0.5-16	4-10	
FR3		DM1-35013...	13.5	18	16.2	21.6	70	\	25	\	6	6	0.5-16	6-10	
FR4		DM1-35018...	18	22	21.6	26.4	80	\	32	\	10	10	0.5-35	10-16	
		DM1-35022...	22	27	26.4	32.4	100	\	40	\	10	10	0.5-35	10-16	

Temperature deratings

When using the PowerXL drives at elevated temperatures, derating is required to size the drive and maintain proper cooling. The following procedures and tables describe the process of derating and choosing the correct drive.

Procedure

Certain operating parameters and conditions are required for correct derating. These are: voltage, torque application (variable or constant), operating temperature, enclosure rating, switching frequency, required amperage.

Follow the below steps to correctly de-rate the PowerXL drives.

1. Find the derating table (Table 31–Table 32) for the voltage and torque application (ex. 480 V, variable torque = 3HP).
2. Within the table, find the sections of rows for the application temperature and column for the switching frequency (ex. 50°C section, 4 kHz column).
3. Look at all the frame sizes and find the frame size for your required amperage.
4. Take the derating % for that frame size and go to the catalog tables (Table 2–Table 8). De-rate each option within that frame size to find the correct drive (ex.) the derating percentage is 73.7%).

Appendix B—Installation guidelines

Table 31. Temperature derating (VT).

		Maximum rated current amps, (percentage of rated current)																		
		Switching frequency																		
Input voltage	Frame size	Temp (°C)	1 kHz	2 kHz	3 kHz	4 kHz	5 kHz	6 kHz	7 kHz	8 kHz	9 kHz	10 kHz	11 kHz	12 kHz	13 kHz	14 kHz	15 kHz	16 kHz		
100 Vac to 120 Vac 50/60 Hz 1-phase	FR1	40 °C	4.8A (100.0%)	4.8A (100.0%)	4.8A (100.0%)	4.8A (100.0%)	4.8A (100.0%)	4.8A (100.0%)	4.8A (100.0%)	4.8A (100.0%)	4.8A (100.0%)	4.8A (100.0%)	4.8A (100.0%)	4.8A (100.0%)	4.8A (100.0%)	4.8A (100.0%)	4.8A (100.0%)	4.8A (100.0%)	4.8A (100.0%)	
		50 °C	4.8A (100.0%)	4.8A (100.0%)	4.8A (100.0%)	4.8A (100.0%)	4.8A (100.0%)	4.8A (100.0%)	4.8A (100.0%)	4.8A (100.0%)	4.8A (100.0%)	4.8A (100.0%)	4.8A (100.0%)	4.8A (100.0%)	4.8A (100.0%)	4.7A (98.4%)	4.7A (96.9%)	4.6A (95.3%)	4.5A (93.8%)	
		60 °C	4A (83.3%)	4A (83.3%)	4A (83.3%)	4A (83.3%)	4A (83.3%)	4A (83.3%)	4A (83.3%)	4A (83.3%)	4A (83.3%)	3.9A (81.3%)	3.8A (79.2%)	3.7A (77.1%)	3.6A (75.0%)	3.5A (72.9%)	3.4A (70.8%)	3.3A (68.8%)	3.2A (66.7%)	
	FR2	40 °C	7.8A (100.0%)	7.8A (100.0%)	7.8A (100.0%)	7.8A (100.0%)	7.8A (100.0%)	7.8A (100.0%)	7.8A (100.0%)	7.8A (100.0%)	7.8A (100.0%)	7.8A (100.0%)	7.8A (100.0%)	7.8A (100.0%)	7.8A (100.0%)	7.8A (100.0%)	7.8A (100.0%)	7.8A (100.0%)	7.8A (100.0%)	7.8A (100.0%)
		50 °C	7.8A (100.0%)	7.8A (100.0%)	7.8A (100.0%)	7.8A (100.0%)	7.8A (100.0%)	7.8A (100.0%)	7.8A (100.0%)	7.8A (100.0%)	7.8A (100.0%)	7.8A (100.0%)	7.8A (100.0%)	7.8A (100.0%)	7.8A (100.0%)	7.8A (100.0%)	7.8A (100.0%)	7.8A (100.0%)	7.8A (100.0%)	7.8A (100.0%)
		60 °C	7.8A (100.0%)	7.8A (100.0%)	7.8A (100.0%)	7.8A (100.0%)	7.8A (100.0%)	7.8A (100.0%)	7.8A (100.0%)	7.8A (100.0%)	7.8A (100.0%)	7.8A (100.0%)	7.8A (100.0%)	7.8A (100.0%)	7.8A (100.0%)	7.5A (96.2%)	7.2A (92.3%)	6.9A (88.5%)	6.6A (84.6%)	
200 Vac to 240 Vac 50/60 Hz 1-phase	FR1	40 °C	7.8A (100.0%)	7.8A (100.0%)	7.8A (100.0%)	7.8A (100.0%)	7.8A (100.0%)	7.8A (100.0%)	7.8A (100.0%)	7.8A (100.0%)	7.8A (100.0%)	7.8A (100.0%)	7.8A (100.0%)	7.8A (100.0%)	7.8A (100.0%)	7.56A (96.8%)	7.3A (93.6%)	7.1A (90.4%)	6.8A (87.2%)	
		50 °C	7.8A (100.0%)	7.8A (100.0%)	7.8A (100.0%)	7.8A (100.0%)	7.8A (100.0%)	7.8A (100.0%)	7.8A (100.0%)	7.8A (100.0%)	7.8A (100.0%)	7.6A (96.8%)	7.3A (93.6%)	7.1A (90.4%)	6.8A (87.2%)	6.6A (84.0%)	6.3A (80.8%)	6.1A (77.6%)	5.8A (74.4%)	
		60 °C	6.8A (87.2%)	6.8A (87.2%)	6.8A (87.2%)	6.8A (87.2%)	6.6A (85.0%)	6.5A (82.9%)	6.3A (80.8%)	6.2A (78.6%)	6.0A (76.5%)	5.8A (74.4%)	5.6A (72.2%)	5.5A (70.1%)	5.3A (68.0%)	5.1A (65.8%)	5.0A (63.7%)	4.8A (61.5%)		
	FR2	40 °C	17.5A (100.0%)	17.5A (100.0%)	17.5A (100.0%)	17.5A (100.0%)	17.0A (97.1%)	16.5A (94.3%)	16.0A (91.4%)	15.5A (88.6%)	15.0A (85.7%)	14.5A (82.9%)	14.0A (80.0%)	13.5A (77.1%)	13.0A (74.3%)	12.5A (71.4%)	12.0A (68.6%)	11.5A (65.7%)		
		50 °C	15.0A (85.7%)	15.0A (85.7%)	15.0A (85.7%)	15.0A (85.7%)	14.6A (83.6%)	14.3A (81.4%)	13.9A (79.3%)	13.5A (77.1%)	13.1A (75.0%)	12.8A (72.9%)	12.48A (70.7%)	12.0A (68.6%)	11.6A (66.4%)	11.3A (64.3%)	10.9A (62.1%)	10.5A (60.0%)		
		60 °C	13.0A (74.3%)	13.0A (74.3%)	13.0A (74.3%)	13.0A (74.3%)	12.6A (72.1%)	12.3A (70.0%)	11.9A (67.9%)	11.5A (65.7%)	11.1A (63.6%)	10.8A (61.4%)	10.4A (59.3%)	10.0A (57.1%)	9.6A (55.0%)	9.3A (52.9%)	8.9A (50.7%)	8.5A (48.6%)		
	FR3	40 °C	25.3A (100.0%)	25.3A (100.0%)	25.3A (100.0%)	25.3A (100.0%)	25.3A (100.0%)	25.3A (100.0%)	25.3A (100.0%)	25.3A (100.0%)	24.8A (98.0%)	24.3A (96.0%)	23.8A (94.1%)	23.3A (92.1%)	22.8A (90.1%)	22.3A (88.1%)	21.8A (86.2%)	21.3A (84.2%)		
		50 °C	25.3A (100.0%)	25.3A (100.0%)	25.3A (100.0%)	25.3A (100.0%)	24.7A (97.5%)	24.1A (95.1%)	23.4A (92.6%)	22.8A (90.1%)	22.2A (87.7%)	21.6A (85.2%)	20.9A (82.7%)	20.3A (80.2%)	19.7A (77.8%)	19.1A (75.3%)	18.4A (72.8%)	17.8A (70.4%)		
		60 °C	23.0A (90.9%)	23.0A (90.9%)	23.0A (90.9%)	23.0A (90.9%)	22.1A (87.3%)	21.2A (83.7%)	20.3A (80.0%)	19.3A (76.4%)	18.4A (72.8%)	17.5A (69.2%)	16.6A (65.6%)	15.7A (61.9%)	14.8A (58.3%)	13.8A (54.7%)	12.9A (51.1%)	12.0A (47.4%)		
	200 Vac to 240 Vac 50/60 Hz 3-phase	FR1	40 °C	11.0A (100.0%)	11.0A (100.0%)	11.0A (100.0%)	11.0A (100.0%)	10.8A (98.0%)	10.6A (95.9%)	10.3A (93.9%)	10.1A (91.8%)	9.9A (89.9%)	9.7A (87.7%)	9.4A (85.7%)	9.2A (83.6%)	9.0A (81.5%)	8.8A (79.5%)	8.5A (77.5%)	8.3A (75.5%)	
			50 °C	7.8A (70.9%)	7.8A (70.9%)	7.8A (70.9%)	7.8A (70.9%)	7.6A (68.9%)	7.4A (66.8%)	7.1A (64.8%)	6.9A (62.7%)	6.7A (60.7%)	6.5A (58.6%)	6.2A (56.6%)	6.0A (54.5%)	5.8A (52.5%)	5.6A (50.5%)	5.3A (48.4%)	5.1A (46.4%)	
			60 °C	7.5A (68.2%)	7.5A (68.2%)	7.5A (68.2%)	7.5A (68.2%)	7.3A (66.1%)	7.1A (64.1%)	6.8A (62.0%)	6.6A (60.0%)	6.4A (58.0%)	6.2A (55.9%)	5.9A (53.9%)	5.7A (51.8%)	5.5A (49.8%)	5.3A (47.7%)	5.0A (45.7%)	4.8A (43.6%)	
FR2		40 °C	25.3A (100.0%)	25.3A (100.0%)	25.3A (100.0%)	25.3A (100.0%)	24.6A (97.0%)	23.8A (94.1%)	23.1A (91.1%)	22.3A (88.1%)	21.6A (85.2%)	20.8A (82.2%)	20.1A (79.2%)	19.3A (76.3%)	18.6A (73.3%)	17.8A (70.4%)	17.1A (67.4%)	16.3A (64.4%)		
		50 °C	17.5A (69.2%)	17.5A (69.2%)	17.5A (69.2%)	17.5A (69.2%)	17.0A (67.2%)	16.5A (65.2%)	16.0A (63.2%)	15.5A (61.3%)	15.0A (59.3%)	14.5A (57.3%)	14.0A (55.3%)	13.5A (53.4%)	13.0A (51.4%)	12.5A (49.4%)	12.0A (47.4%)	11.5A (45.5%)		
		60 °C	15.0A (59.3%)	15.0A (59.3%)	15.0A (59.3%)	15.0A (59.3%)	14.5A (57.3%)	14.0A (55.3%)	13.5A (53.4%)	13.0A (51.4%)	12.5A (49.4%)	12.0A (47.4%)	11.5A (45.5%)	11.0A (43.5%)	10.5A (41.5%)	10.0A (39.5%)	9.5A (37.5%)	9.0A (35.6%)		
FR3		40 °C	32.2A (100.0%)	32.2A (100.0%)	32.2A (100.0%)	32.2A (100.0%)	31.5A (97.7%)	30.8A (95.5%)	30.0A (93.2%)	29.3A (91.0%)	28.6A (88.7%)	27.9A (86.5%)	27.1A (84.2%)	26.4A (82.0%)	25.7A (79.7%)	25.0A (77.5%)	24.2A (75.2%)	23.5A (73.0%)		
		50 °C	25.3A (78.6%)	25.3A (78.6%)	25.3A (78.6%)	25.3A (78.6%)	24.5A (76.2%)	23.8A (73.8%)	23.0A (71.4%)	22.2A (68.9%)	21.4A (66.5%)	20.7A (64.1%)	19.9A (61.7%)	19.1A (59.3%)	18.3A (56.9%)	17.6A (54.5%)	16.8A (52.1%)	16.0A (49.7%)		
		60 °C	21.0A (65.2%)	21.0A (65.2%)	21.0A (65.2%)	21.0A (65.2%)	20.3A (62.9%)	19.5A (60.6%)	18.8A (58.2%)	18.0A (55.9%)	17.3A (53.6%)	16.5A (51.2%)	15.8A (48.9%)	15.0A (46.6%)	14.3A (44.3%)	13.5A (41.9%)	12.8A (39.6%)	12.0A (37.3%)		
FR4		40 °C	62.1A (100.0%)	62.1A (100.0%)	62.1A (100.0%)	62.1A (100.0%)	60.3A (97.1%)	58.6A (94.3%)	56.8A (91.4%)	55.0A (88.6%)	53.2A (85.7%)	51.5A (82.9%)	49.7A (80.0%)	47.9A (77.1%)	46.1A (74.3%)	44.4A (71.4%)	42.6A (68.6%)	40.8A (65.7%)		
		50 °C	48.3A (77.8%)	48.3A (77.8%)	48.3A (77.8%)	48.3A (77.8%)	46.7A (75.2%)	45.2A (72.7%)	43.6A (70.2%)	42.0A (67.6%)	40.4A (65.0%)	38.9A (62.6%)	37.3A (60.0%)	35.7A (57.5%)	34.1A (55.0%)	32.6A (52.4%)	31.0A (49.9%)	29.4A (47.3%)		
		60 °C	38.0A (61.2%)	38.0A (61.2%)	38.0A (61.2%)	38.0A (61.2%)	36.8A (59.2%)	35.5A (57.2%)	34.3A (55.2%)	33.0A (53.1%)	31.8A (51.1%)	30.5A (49.1%)	29.3A (47.1%)	28.0A (45.1%)	26.8A (43.1%)	25.5A (41.1%)	24.3A (39.0%)	23.0A (37.0%)		

Table 31. Temperature derating (VT) (continued).

		Maximum rated current amps, (percentage of rated current)																
		Switching frequency																
Input voltage	Frame size	Temp (°C)	1 kHz	2 kHz	3 kHz	4 kHz	5 kHz	6 kHz	7 kHz	8 kHz	9 kHz	10 kHz	11 kHz	12 kHz	13 kHz	14 kHz	15 kHz	16 kHz
380 Vac to 480 Vac 50/60 Hz 3-phase	FR1	40 °C	7.6A (100.0%)	7.6A (100.0%)	7.6A (100.0%)	7.6A (100.0%)	7.3A (95.7%)	7.0A (91.4%)	6.6A (87.2%)	6.3A (82.9%)	6.0A (78.6%)	5.7A (74.3%)	5.3A (70.1%)	5.0A (65.8%)	4.7A (61.5%)	4.4A (57.2%)	4.0A (53.0%)	3.7A (48.7%)
		50 °C	5.6A (73.7%)	5.6A (73.7%)	5.6A (73.7%)	5.6A (73.7%)	5.4A (70.4%)	5.1A (67.1%)	4.9A (63.8%)	4.6A (60.5%)	4.4A (57.2%)	4.1A (53.9%)	3.9A (50.7%)	3.6A (47.4%)	3.4A (44.1%)	3.1A (40.8%)	2.9A (37.5%)	2.6A (34.2%)
		60 °C	4.6A (60.5%)	4.6A (60.5%)	4.6A (60.5%)	4.6A (60.5%)	4.4A (57.2%)	4.1A (53.9%)	3.9A (50.7%)	3.6A (47.4%)	3.4A (44.1%)	3.1A (40.8%)	2.9A (37.5%)	2.6A (34.2%)	2.4A (30.9%)	2.1A (27.6%)	1.9A (24.3%)	1.6A (21.1%)
	FR2	40 °C	23.0A (100.0%)	23.0A (100.0%)	23.0A (100.0%)	23.0A (100.0%)	21.6A (94.0%)	20.3A (88.0%)	18.9A (82.1%)	17.5A (76.1%)	16.1A (70.1%)	14.8A (64.1%)	13.4A (58.2%)	12.0A (52.2%)	10.6A (46.2%)	9.3A (40.2%)	7.9A (34.2%)	6.5A (28.3%)
		50 °C	16.0A (69.6%)	16.0A (69.6%)	16.0A (69.6%)	16.0A (69.6%)	15.1A (65.5%)	14.3A (62.0%)	13.4A (58.2%)	12.5A (54.3%)	11.6A (50.5%)	10.8A (46.7%)	9.9A (42.9%)	9.0A (39.1%)	8.1A (35.3%)	7.3A (31.5%)	6.4A (27.7%)	5.5A (23.9%)
		60 °C	14.0A (60.9%)	14.0A (60.9%)	14.0A (60.9%)	14.0A (60.9%)	13.1A (57.1%)	12.3A (53.3%)	11.4A (49.5%)	10.5A (45.7%)	9.6A (41.8%)	8.8A (38.0%)	7.9A (34.2%)	7.0A (30.4%)	6.1A (26.6%)	5.3A (22.8%)	4.4A (19.0%)	3.5A (15.2%)
	FR3	40 °C	31.0A (100.0%)	31.0A (100.0%)	31.0A (100.0%)	31.0A (100.0%)	29.3A (94.4%)	27.5A (88.7%)	25.8A (83.1%)	24.0A (77.4%)	22.3A (71.8%)	20.5A (66.1%)	18.8A (60.5%)	17.0A (54.8%)	15.3A (49.2%)	13.5A (43.5%)	11.8A (37.9%)	10.0A (32.3%)
		50 °C	23.0A (74.2%)	23.0A (74.2%)	23.0A (74.2%)	23.0A (74.2%)	21.8A (70.2%)	20.5A (66.1%)	19.3A (62.1%)	18.0A (58.1%)	16.8A (54.0%)	15.5A (50.0%)	14.3A (46.0%)	13.0A (41.9%)	11.8A (37.9%)	10.5A (33.9%)	9.3A (29.8%)	8.0A (25.8%)
		60 °C	21.0A (67.7%)	21.0A (67.7%)	21.0A (67.7%)	21.0A (67.7%)	19.8A (63.7%)	18.5A (59.7%)	17.3A (55.6%)	16.0A (51.6%)	14.8A (47.6%)	13.5A (43.5%)	12.3A (39.5%)	11.0A (35.5%)	9.8A (31.5%)	8.5A (27.4%)	7.3A (23.4%)	6.0A (19.4%)
	FR4	40 °C	46.0A (100.0%)	46.0A (100.0%)	46.0A (100.0%)	46.0A (100.0%)	43.7A (94.9%)	41.4A (89.9%)	39.0A (84.8%)	36.7A (79.8%)	34.4A (74.7%)	32.1A (69.7%)	29.7A (64.6%)	27.4A (59.6%)	25.1A (54.5%)	22.8A (49.5%)	20.4A (44.4%)	18.1A (39.3%)
		50 °C	38.0A (82.6%)	38.0A (82.6%)	38.0A (82.6%)	38.0A (82.6%)	36.0A (78.3%)	34.0A (73.9%)	32.0A (69.6%)	30.0A (65.2%)	28.0A (60.9%)	26.0A (56.5%)	24.0A (52.2%)	22.0A (47.8%)	20.0A (43.5%)	18.0A (39.1%)	16.0A (34.8%)	14.0A (30.4%)
		60 °C	30.0A (65.2%)	30.0A (65.2%)	30.0A (65.2%)	30.0A (65.2%)	28.4A (61.7%)	26.8A (58.2%)	25.1A (54.6%)	23.5A (51.1%)	21.9A (47.6%)	20.3A (44.0%)	18.6A (40.5%)	17.0A (37.0%)	15.4A (33.4%)	13.8A (29.9%)	12.1A (26.4%)	10.5A (22.8%)
525 Vac to 600 Vac 50/60 Hz 3-phase	FR2	40 °C	13.5A (100%)	13.5A (100%)	13.5A (100%)	12.3A (91.1%)	11.1A (82.2%)	9.9A (73.3%)	8.7A (64.4%)	7.5A (55.6%)	7.0A (51.5%)	6.4A (47.4%)	5.9A (43.3%)	5.3A (39.3%)	4.8A (35.2%)	4.2A (31.1%)	3.7A (27%)	3.1A (23%)
		50 °C	12.0A (88.9%)	12.0A (88.9%)	12.0A (88.9%)	10.8A (80%)	9.6A (71.1%)	8.4A (62.2%)	7.2A (53.3%)	6.0A (44.4%)	5.5A (40.7%)	5.0A (37%)	4.5A (33.3%)	4.0A (29.6%)	3.5A (25.9%)	3.0A (22.2%)	2.5A (18.5%)	2.0A (14.8%)
		60 °C	9.5A (70.4%)	9.5A (70.4%)	9.5A (70.4%)	8.5A (63%)	7.5A (55.6%)	6.5A (48.1%)	5.5A (40.7%)	4.5A (33.3%)	4.2A (30.8%)	3.8A (28.3%)	3.5A (25.8%)	3.2A (23.3%)	2.8A (20.8%)	2.5A (18.3%)	2.1A (15.8%)	1.8A (13.3%)
	FR3	40 °C	18.0A (100%)	18.0A (100%)	18.0A (100%)	16.4A (91.1%)	14.8A (82.2%)	13.2A (73.3%)	11.6A (64.4%)	10.0A (55.6%)	9.2A (51.1%)	8.4A (46.7%)	7.6A (42.2%)	6.8A (37.8%)	6.0A (33.3%)	5.2A (28.9%)	4.4A (24.4%)	3.6A (20%)
		50 °C	13.5A (75%)	13.5A (75%)	13.5A (75%)	12.4A (68.9%)	11.3A (62.8%)	10.2A (56.7%)	9.1A (50.6%)	8.0A (44.4%)	7.4A (41%)	6.8A (37.5%)	6.1A (34%)	5.5A (30.6%)	4.9A (27.1%)	4.3A (23.6%)	3.6A (20.1%)	3.0A (16.7%)
		60 °C	10.0A (55.6%)	10.0A (55.6%)	10.0A (55.6%)	8.9A (49.6%)	7.8A (43.6%)	6.8A (37.6%)	5.7A (31.6%)	4.6A (25.6%)	4.3A (23.6%)	3.9A (21.7%)	3.6A (19.7%)	3.2A (17.8%)	2.9A (15.8%)	2.5A (13.9%)	2.2A (11.9%)	1.8A (10%)
	FR4	40 °C	27.0A (100%)	27.0A (100%)	27.0A (100%)	24.4A (90.4%)	21.8A (80.7%)	19.2A (71.1%)	16.6A (61.5%)	14.0A (51.9%)	12.9A (47.7%)	11.8A (43.5%)	10.6A (39.4%)	9.5A (35.2%)	8.4A (31%)	7.3A (26.9%)	6.1A (22.7%)	5.0A (18.5%)
		50 °C	22.0A (81.5%)	22.0A (81.5%)	22.0A (81.5%)	19.8A (73.3%)	17.6A (65.2%)	15.4A (57%)	13.2A (48.9%)	11.0A (40.7%)	10.1A (37.5%)	9.3A (34.3%)	8.4A (31%)	7.5A (27.8%)	6.6A (24.5%)	5.8A (21.3%)	4.9A (18.1%)	4.0A (14.8%)
		60 °C	18.0A (66.7%)	18.0A (66.7%)	18.0A (66.7%)	16.0A (59.3%)	14.0A (51.9%)	12.0A (44.4%)	10.0A (37%)	8.0A (29.6%)	7.4A (27.3%)	6.8A (25%)	6.1A (22.7%)	5.5A (20.4%)	4.9A (18.1%)	4.3A (15.7%)	3.6A (13.4%)	3.0A (11.1%)

Appendix B—Installation guidelines

Table 32. Temperature derating (CT).

			Maximum rated current amps, (percentage of rated current)																				
			Switching frequency																				
Input voltage	Frame size	Temp (°C)	1 kHz	2 kHz	3 kHz	4 kHz	5 kHz	6 kHz	7 kHz	8 kHz	9 kHz	10 kHz	11 kHz	12 kHz	13 kHz	14 kHz	15 kHz	16 kHz					
100 Vac to 120 Vac 50/60 Hz 1-phase	FR1	40 °C	3.0A (100.0%)	3.0A (100.0%)	3.0A (100.0%)	3.0A (100.0%)	3.0A (100.0%)	3.0A (100.0%)	3.0A (100.0%)	3.0A (100.0%)	3.0A (100.0%)	3.0A (100.0%)	3.0A (100.0%)	3.0A (100.0%)	3.0A (100.0%)	3.0A (100.0%)	3.0A (100.0%)	3.0A (100.0%)	3.0A (100.0%)				
		50 °C	3.0A (100.0%)	3.0A (100.0%)	3.0A (100.0%)	3.0A (100.0%)	3.0A (100.0%)	3.0A (100.0%)	3.0A (100.0%)	3.0A (100.0%)	3.0A (100.0%)	3.0A (100.0%)	3.0A (100.0%)	3.0A (100.0%)	3.0A (100.0%)	3.0A (100.0%)	3.0A (100.0%)	3.0A (100.0%)	3.0A (100.0%)	3.0A (100.0%)			
		60 °C	3.0A (100.0%)	3.0A (100.0%)	3.0A (100.0%)	3.0A (100.0%)	3.0A (100.0%)	3.0A (100.0%)	3.0A (100.0%)	3.0A (100.0%)	3.0A (100.0%)	3.0A (100.0%)	3.0A (100.0%)	3.0A (100.0%)	3.0A (100.0%)	3.0A (100.0%)	3.0A (100.0%)	3.0A (100.0%)	3.0A (100.0%)	3.0A (100.0%)	3.0A (100.0%)		
	FR2	40 °C	6.9A (100.0%)	6.9A (100.0%)	6.9A (100.0%)	6.9A (100.0%)	6.9A (100.0%)	6.9A (100.0%)	6.9A (100.0%)	6.9A (100.0%)	6.9A (100.0%)	6.9A (100.0%)	6.9A (100.0%)	6.9A (100.0%)	6.9A (100.0%)	6.9A (100.0%)	6.9A (100.0%)	6.9A (100.0%)	6.9A (100.0%)	6.9A (100.0%)	6.9A (100.0%)		
		50 °C	6.9A (100.0%)	6.9A (100.0%)	6.9A (100.0%)	6.9A (100.0%)	6.9A (100.0%)	6.9A (100.0%)	6.9A (100.0%)	6.9A (100.0%)	6.9A (100.0%)	6.9A (100.0%)	6.9A (100.0%)	6.9A (100.0%)	6.9A (100.0%)	6.9A (100.0%)	6.9A (100.0%)	6.9A (100.0%)	6.9A (100.0%)	6.9A (100.0%)	6.9A (100.0%)		
		60 °C	6.9A (100.0%)	6.9A (100.0%)	6.9A (100.0%)	6.9A (100.0%)	6.9A (100.0%)	6.9A (100.0%)	6.9A (100.0%)	6.9A (100.0%)	6.9A (100.0%)	6.9A (100.0%)	6.9A (100.0%)	6.9A (100.0%)	6.9A (100.0%)	6.8A (98.9%)	6.8A (97.8%)	6.7A (96.7%)	6.6A (95.7%)				
200 Vac to 240 Vac 50/60 Hz 1-phase	FR1	40 °C	4.8A (100.0%)	4.8A (100.0%)	4.8A (100.0%)	4.8A (100.0%)	4.8A (100.0%)	4.8A (100.0%)	4.8A (100.0%)	4.8A (100.0%)	4.8A (100.0%)	4.8A (100.0%)	4.8A (100.0%)	4.8A (100.0%)	4.8A (100.0%)	4.8A (100.0%)	4.8A (100.0%)	4.8A (100.0%)	4.8A (100.0%)	4.8A (100.0%)	4.8A (100.0%)		
		50 °C	4.8A (100.0%)	4.8A (100.0%)	4.8A (100.0%)	4.8A (100.0%)	4.8A (100.0%)	4.8A (100.0%)	4.8A (100.0%)	4.8A (100.0%)	4.8A (100.0%)	4.8A (100.0%)	4.8A (100.0%)	4.8A (100.0%)	4.8A (100.0%)	4.8A (100.0%)	4.8A (100.0%)	4.8A (100.0%)	4.8A (100.0%)	4.8A (100.0%)	4.8A (100.0%)		
		60 °C	4.8A (100.0%)	4.8A (100.0%)	4.8A (100.0%)	4.8A (100.0%)	4.8A (100.0%)	4.8A (100.0%)	4.8A (100.0%)	4.8A (100.0%)	4.8A (100.0%)	4.8A (100.0%)	4.8A (100.0%)	4.8A (100.0%)	4.8A (100.0%)	4.8A (100.0%)	4.8A (100.0%)	4.8A (100.0%)	4.8A (100.0%)	4.8A (100.0%)	4.8A (100.0%)	4.8A (100.0%)	
	FR2	40 °C	11.0A (100.0%)	11.0A (100.0%)	11.0A (100.0%)	11.0A (100.0%)	11.0A (100.0%)	11.0A (100.0%)	11.0A (100.0%)	11.0A (100.0%)	11.0A (100.0%)	10.8A (97.7%)	10.5A (95.5%)	10.3A (93.2%)	10.0A (90.9%)	9.8A (88.6%)	9.5A (86.4%)	9.3A (84.1%)	9.0A (81.8%)	8.8A (79.6%)	8.5A (77.3%)	8.0A (72.7%)	7.0A (63.6%)
		50 °C	11.0A (100.0%)	11.0A (100.0%)	11.0A (100.0%)	11.0A (100.0%)	10.8A (97.7%)	10.5A (95.5%)	10.3A (93.2%)	10.0A (90.9%)	9.8A (88.6%)	9.5A (86.4%)	9.3A (84.1%)	9.0A (81.8%)	8.8A (79.6%)	8.5A (77.3%)	8.3A (75.0%)	8.0A (72.7%)	7.8A (70.5%)	7.5A (68.2%)	7.3A (65.9%)	7.0A (63.6%)	6.6A (59.3%)
		60 °C	10.0A (90.9%)	10.0A (90.9%)	10.0A (90.9%)	10.0A (90.9%)	9.8A (88.6%)	9.5A (86.4%)	9.3A (84.1%)	9.0A (81.8%)	8.8A (79.6%)	8.5A (77.3%)	8.3A (75.0%)	8.0A (72.7%)	7.8A (70.5%)	7.5A (68.2%)	7.3A (65.9%)	7.0A (63.6%)	6.8A (61.3%)	6.5A (59.0%)	6.3A (56.7%)	6.0A (54.4%)	5.5A (49.9%)
FR3	40 °C	17.5A (100.0%)	17.5A (100.0%)	17.5A (100.0%)	17.5A (100.0%)	17.5A (100.0%)	17.5A (100.0%)	17.5A (100.0%)	17.5A (100.0%)	17.4A (99.3%)	17.3A (98.6%)	17.1A (97.9%)	17.0A (97.1%)	16.9A (96.4%)	16.8A (95.7%)	16.6A (94.9%)	16.5A (94.3%)	16.4A (93.7%)	16.3A (93.1%)	16.2A (92.5%)	16.1A (91.9%)	16.0A (91.3%)	
	50 °C	17.5A (100.0%)	17.5A (100.0%)	17.5A (100.0%)	17.5A (100.0%)	17.5A (100.0%)	17.5A (100.0%)	17.5A (100.0%)	17.5A (100.0%)	17.5A (100.0%)	17.5A (100.0%)	17.5A (100.0%)	17.5A (100.0%)	17.5A (100.0%)	17.5A (100.0%)	17.5A (100.0%)	17.5A (100.0%)	17.5A (100.0%)	17.5A (100.0%)	17.5A (100.0%)	17.5A (100.0%)	17.5A (100.0%)	
	60 °C	17.5A (100.0%)	17.5A (100.0%)	17.5A (100.0%)	17.5A (100.0%)	16.9A (96.4%)	16.3A (92.9%)	15.6A (89.3%)	15.0A (85.7%)	14.4A (82.1%)	13.8A (78.6%)	13.1A (75.0%)	12.5A (71.4%)	11.9A (67.9%)	11.3A (64.3%)	10.6A (60.7%)	10.0A (57.1%)	9.4A (53.5%)	8.8A (50.0%)	8.2A (46.5%)	7.6A (43.0%)	7.0A (39.5%)	
200 Vac to 240 Vac 50/60 Hz 3-phase	FR1	40 °C	7.8A (100.0%)	7.8A (100.0%)	7.8A (100.0%)	7.8A (100.0%)	7.8A (100.0%)	7.8A (100.0%)	7.8A (100.0%)	7.8A (100.0%)	7.7A (98.1%)	7.5A (96.2%)	7.4A (94.2%)	7.2A (92.3%)	7.1A (90.4%)	6.9A (88.5%)	6.8A (86.5%)	6.6A (84.6%)	6.5A (82.6%)	6.4A (80.7%)	6.3A (78.7%)	6.2A (76.7%)	
		50 °C	7.8A (100.0%)	7.8A (100.0%)	7.8A (100.0%)	7.8A (100.0%)	7.6A (97.1%)	7.4A (94.2%)	7.1A (91.3%)	6.9A (88.5%)	6.7A (85.6%)	6.5A (82.7%)	6.2A (79.8%)	6.0A (76.9%)	5.8A (74.0%)	5.6A (71.2%)	5.3A (68.3%)	5.1A (65.4%)	4.9A (62.5%)	4.7A (59.6%)	4.5A (56.7%)	4.3A (53.8%)	
		60 °C	7.5A (96.2%)	7.5A (96.2%)	7.5A (96.2%)	7.5A (96.2%)	7.3A (93.3%)	7.1A (90.4%)	6.8A (87.5%)	6.6A (84.6%)	6.4A (81.7%)	6.2A (78.8%)	5.9A (76.0%)	5.7A (73.1%)	5.5A (70.2%)	5.3A (67.3%)	5.0A (64.4%)	4.8A (61.5%)	4.6A (58.6%)	4.4A (55.7%)	4.2A (52.8%)	4.0A (49.9%)	3.8A (47.0%)
	FR2	40 °C	17.5A (100.0%)	17.5A (100.0%)	17.5A (100.0%)	17.5A (100.0%)	17.5A (100.0%)	17.5A (100.0%)	17.5A (100.0%)	17.5A (100.0%)	17.5A (100.0%)	17.5A (100.0%)	17.5A (100.0%)	17.5A (100.0%)	17.5A (100.0%)	17.5A (100.0%)	17.5A (100.0%)	17.5A (100.0%)	17.5A (100.0%)	17.5A (100.0%)	17.5A (100.0%)	17.5A (100.0%)	17.5A (100.0%)
		50 °C	17.5A (100.0%)	17.5A (100.0%)	17.5A (100.0%)	17.5A (100.0%)	17.0A (97.1%)	16.5A (94.3%)	16.0A (91.4%)	15.5A (88.6%)	15.0A (85.7%)	14.5A (82.9%)	14.0A (80.0%)	13.5A (77.1%)	13.0A (74.3%)	12.5A (71.4%)	12.0A (68.5%)	11.5A (65.6%)	11.0A (62.7%)	10.5A (59.8%)	10.0A (56.9%)	9.5A (54.0%)	9.0A (51.1%)
		60 °C	15.0A (85.7%)	15.0A (85.7%)	15.0A (85.7%)	15.0A (85.7%)	14.5A (82.9%)	14.0A (80.0%)	13.5A (77.1%)	13.0A (74.3%)	12.5A (71.4%)	12.0A (68.5%)	11.5A (65.6%)	11.0A (62.7%)	10.5A (59.8%)	10.0A (56.9%)	9.5A (54.0%)	9.0A (51.1%)	8.5A (48.2%)	8.0A (45.3%)	7.5A (42.4%)	7.0A (39.5%)	6.5A (36.6%)
FR3	40 °C	25.3A (100.0%)	25.3A (100.0%)	25.3A (100.0%)	25.3A (100.0%)	25.3A (100.0%)	25.3A (100.0%)	25.3A (100.0%)	25.3A (100.0%)	25.3A (100.0%)	24.6A (97.0%)	23.8A (94.1%)	23.1A (91.1%)	22.3A (88.1%)	21.6A (85.2%)	20.8A (82.2%)	20.1A (79.2%)	19.3A (76.3%)	18.6A (73.3%)	17.9A (70.4%)	17.2A (67.4%)	16.5A (64.5%)	
	50 °C	25.3A (100.0%)	25.3A (100.0%)	25.3A (100.0%)	25.3A (100.0%)	24.5A (96.9%)	23.8A (93.9%)	23.0A (90.8%)	22.2A (87.7%)	21.4A (84.7%)	20.7A (81.6%)	19.9A (78.6%)	19.1A (75.5%)	18.3A (72.4%)	17.6A (69.4%)	16.8A (66.3%)	16.0A (63.2%)	15.3A (60.1%)	14.6A (57.0%)	13.9A (54.0%)	13.2A (50.9%)	12.5A (47.8%)	
	60 °C	21.0A (83.0%)	21.0A (83.0%)	21.0A (83.0%)	21.0A (83.0%)	20.3A (80.0%)	19.5A (77.1%)	18.8A (74.1%)	18.0A (71.1%)	17.3A (68.2%)	16.5A (65.2%)	15.8A (62.3%)	15.0A (59.3%)	14.3A (56.3%)	13.5A (53.4%)	12.8A (50.4%)	12.0A (47.4%)	11.3A (44.4%)	10.6A (41.4%)	9.9A (38.4%)	9.2A (35.4%)	8.5A (32.4%)	
FR4	40 °C	48.3A (100.0%)	48.3A (100.0%)	48.3A (100.0%)	48.3A (100.0%)	48.3A (100.0%)	48.3A (100.0%)	48.3A (100.0%)	48.3A (100.0%)	48.3A (100.0%)	48.3A (100.0%)	48.3A (100.0%)	48.3A (100.0%)	48.3A (100.0%)	48.3A (100.0%)	48.3A (100.0%)	48.3A (100.0%)	48.3A (100.0%)	48.3A (100.0%)	48.3A (100.0%)	48.3A (100.0%)	48.3A (100.0%)	
	50 °C	48.3A (100.0%)	48.3A (100.0%)	48.3A (100.0%)	48.3A (100.0%)	46.7A (96.7%)	45.2A (93.5%)	43.6A (90.2%)	42.0A (87.0%)	40.4A (83.7%)	38.9A (80.4%)	37.3A (77.2%)	35.7A (73.9%)	34.1A (70.7%)	32.6A (67.4%)	31.0A (64.1%)	29.4A (60.9%)	27.8A (57.6%)	26.2A (54.3%)	24.6A (51.0%)	23.0A (47.7%)	21.4A (44.4%)	
	60 °C	38.0A (78.7%)	38.0A (78.7%)	38.0A (78.7%)	38.0A (78.7%)	36.8A (76.1%)	35.5A (73.5%)	34.3A (70.9%)	33.0A (68.3%)	31.8A (65.7%)	30.5A (63.1%)	29.3A (60.6%)	28.0A (58.0%)	26.8A (55.4%)	25.5A (52.8%)	24.3A (50.2%)	23.0A (47.6%)	21.8A (45.0%)	20.6A (42.4%)	19.4A (39.8%)	18.2A (37.2%)	17.0A (34.6%)	

Table 32. Temperature derating (CT) (continued).

		Maximum rated current amps, (percentage of rated current)																	
		Switching frequency																	
Input voltage	Frame size	Temp (°C)	1 kHz	2 kHz	3 kHz	4 kHz	5 kHz	6 kHz	7 kHz	8 kHz	9 kHz	10 kHz	11 kHz	12 kHz	13 kHz	14 kHz	15 kHz	16 kHz	
380 Vac to 480 Vac 50/60 Hz 3-phase	FR1	40 °C	5.6A (100.0%)	5.6A (100.0%)	5.6A (100.0%)	5.6A (100.0%)	5.6A (100.0%)	5.6A (100.0%)	5.6A (100.0%)	5.6A (100.0%)	5.6A (100.0%)	5.4A (95.5%)	5.1A (91.1%)	4.9A (86.6%)	4.6A (82.1%)	4.4A (77.7%)	4.1A (73.2%)	3.9A (68.8%)	3.6A (64.3%)
		50 °C	5.6A (100.0%)	5.6A (100.0%)	5.6A (100.0%)	5.6A (100.0%)	5.4A (95.5%)	5.1A (91.1%)	4.9A (86.6%)	4.6A (82.1%)	4.4A (77.7%)	4.1A (73.2%)	3.9A (68.8%)	3.6A (64.3%)	3.4A (59.8%)	3.1A (55.4%)	2.9A (50.9%)	2.6A (46.4%)	2.4A (42.0%)
		60 °C	4.6A (82.1%)	4.6A (82.1%)	4.6A (82.1%)	4.6A (82.1%)	4.4A (77.7%)	4.1A (73.2%)	3.9A (68.8%)	3.6A (64.3%)	3.4A (59.8%)	3.1A (55.4%)	2.9A (50.9%)	2.6A (46.4%)	2.4A (42.0%)	2.1A (37.5%)	1.9A (33.0%)	1.6A (28.6%)	
	FR2	40 °C	16.0A (100.0%)	16.0A (100.0%)	16.0A (100.0%)	16.0A (100.0%)	15.4 (96.5%)	14.9 (93.0%)	14.3 (89.5%)	13.8 (85.9%)	13.2 (82.4%)	12.6 (78.9%)	12.1 (75.4%)	11.5 (71.9%)	10.9 (68.4%)	10.4 (64.8%)	9.8 (61.3%)	9.3 (57.8%)	
		50 °C	16.0A (100.0%)	16.0A (100.0%)	16.0A (100.0%)	16.0A (100.0%)	15.1A (94.5%)	14.3A (89.1%)	13.4A (83.6%)	12.5A (78.1%)	11.6A (72.7%)	10.8A (67.2%)	9.9A (61.7%)	9.0A (56.3%)	8.1A (50.8%)	7.3A (45.3%)	6.4A (39.8%)	5.5A (34.4%)	
		60 °C	14.0A (87.5%)	14.0A (87.5%)	14.0A (87.5%)	14.0A (87.5%)	13.1A (82.0%)	12.3A (76.6%)	11.4A (71.1%)	10.5A (65.6%)	9.6A (60.2%)	8.8A (54.7%)	7.9A (49.2%)	7.0A (43.8%)	6.1A (38.3%)	5.3A (32.8%)	4.4A (27.3%)	3.5A (21.9%)	
	FR3	40 °C	23.0A (100.0%)	23.0A (100.0%)	23.0A (100.0%)	23.0A (100.0%)	22.2A (96.4%)	21.3A (92.8%)	20.5A (89.1%)	19.7A (85.5%)	18.8A (81.9%)	18.0A (78.3%)	17.2A (74.6%)	16.3A (71.0%)	15.5A (67.4%)	14.7A (63.8%)	13.8A (60.1%)	13.0A (56.5%)	
		50 °C	23.0A (100.0%)	23.0A (100.0%)	23.0A (100.0%)	23.0A (100.0%)	21.8A (94.6%)	20.5A (89.1%)	19.3A (83.7%)	18.0A (78.3%)	16.8A (72.8%)	15.5A (67.4%)	14.3A (62.0%)	13.0A (56.5%)	11.8A (51.1%)	10.5A (45.7%)	9.3A (40.2%)	8.0A (34.8%)	
		60 °C	21.0A (91.3%)	21.0A (91.3%)	21.0A (91.3%)	21.0A (91.3%)	19.8A (85.9%)	18.5A (80.4%)	17.3A (75.0%)	16.0A (69.6%)	14.8A (64.1%)	13.5A (58.7%)	12.3A (53.3%)	11.0A (47.8%)	9.8A (42.4%)	8.5A (37.0%)	7.3A (31.5%)	6.0A (26.1%)	
	FR4	40 °C	38.0A (100.0%)	38.0A (100.0%)	38.0A (100.0%)	38.0A (100.0%)	36.2A (95.3%)	34.5A (90.7%)	32.7A (86.0%)	30.9A (81.3%)	29.1A (76.6%)	27.4A (72.0%)	25.6A (67.3%)	23.8A (62.6%)	22.0A (58.0%)	20.3A (53.3%)	18.5A (48.6%)	16.7A (43.9%)	
		50 °C	38.0A (100.0%)	38.0A (100.0%)	38.0A (100.0%)	38.0A (100.0%)	36.0A (94.7%)	34.0A (89.5%)	32.0A (84.2%)	30.0A (78.9%)	28.0A (73.7%)	26.0A (68.4%)	24.0A (63.2%)	22.0A (57.9%)	20.0A (52.6%)	18.0A (47.4%)	16.0A (42.1%)	14.0A (36.8%)	
		60 °C	30.0A (78.9%)	30.0A (78.9%)	30.0A (78.9%)	30.0A (78.9%)	28.4A (74.7%)	26.8A (70.4%)	25.1A (66.1%)	23.5A (61.8%)	21.9A (57.6%)	20.3A (53.3%)	18.6A (49.0%)	17.0A (44.7%)	15.4A (40.5%)	13.8A (36.2%)	12.1A (31.9%)	10.5A (27.6%)	
525 Vac to 600 Vac 50/60 Hz 3-phase	FR2	40 °C	10.0A (100%)	10A (100.0%)	10.0A (100%)	9.3A (93%)	8.6A (86%)	7.9A (79%)	7.2A (72%)	6.5A (65%)	6A (60%)	5.5A (55%)	5.0A (50%)	4.5A (45%)	4.0A (40%)	3.5A (35%)	3.0A (30%)	2.5A (25%)	
		50 °C	10.0A (100%)	10.0A (100%)	10.0A (100%)	8.8A (88%)	7.6A (76%)	6.4A (64%)	5.2A (52%)	4.0A (40%)	3.8A (37.5%)	3.5A (35%)	3.3A (32.5%)	3.0A (30%)	2.8A (27.5%)	2.5A (25%)	2.3A (22.5%)	2A (20%)	
		60 °C	8.0A (80%)	8.0A (80%)	8.0A (80%)	7.2A (71.6%)	6.3A (63.2%)	5.5A (54.8%)	4.6A (46.4%)	3.8A (38%)	3.6A (35.5%)	3.3A (33%)	3.1A (30.5%)	2.8A (28%)	2.6A (25.5%)	2.3A (23%)	2.1A (20.5%)	1.8A (18%)	
	FR3	40 °C	13.5A (100%)	13.5A (100%)	13.5A (100%)	12.5A (92.6%)	11.5A (85.2%)	10.5A (77.8%)	9.5A (70.4%)	8.5A (63%)	7.8A (58%)	7.2A (53%)	6.5A (48%)	5.8A (43%)	5.1A (38%)	4.5A (33%)	3.8A (28%)	3.1A (23%)	
		50 °C	13.5A (100%)	13.5A (100%)	13.5A (100%)	11.9A (88%)	10.3A (76%)	8.6A (64%)	7.0A (52%)	5.4A (40%)	5.1A (37.5%)	4.7A (35%)	4.4A (32.5%)	4.1A (30%)	3.7A (27.5%)	3.4A (25%)	3A (22.5%)	2.7A (20%)	
		60 °C	8.8A (65.2%)	8.8A (65.2%)	8.8A (65.2%)	7.9A (58.7%)	7.0A (52.1%)	6.2A (45.6%)	5.3A (39.1%)	4.4A (32.6%)	4.1A (30%)	3.7A (27.4%)	3.4A (24.8%)	3.0A (22.2%)	2.7A (19.6%)	2.3A (17%)	2.0A (14.4%)	1.6A (11.9%)	
	FR4	40 °C	22.0A (100%)	22.0A (100%)	22.0A (100%)	20.0A (90.9%)	18.0A (81.8%)	16.0A (72.7%)	14.0A (63.6%)	12.0A (54.5%)	11.1A (50.6%)	10.3A (46.6%)	9.4A (42.6%)	8.5A (38.6%)	7.6A (34.7%)	6.8A (30.7%)	5.9A (26.7%)	5A (22.7%)	
		50 °C	22.0A (100%)	22.0A (100%)	22.0A (100%)	19.4A (88%)	16.7A (76%)	14.1A (64%)	11.4A (52%)	8.8A (40%)	8.3A (37.5%)	7.7A (35%)	7.2A (32.5%)	6.6A (30%)	6.1A (27.5%)	5.5A (25%)	5A (22.5%)	4.4A (20%)	
		60 °C	17.0A (77.3%)	17.0A (77.3%)	17.0A (77.3%)	15.0A (68.2%)	13.0A (59.1%)	11.0A (50%)	9.0A (40.9%)	7.0A (31.8%)	6.5A (29.5%)	6.0A (27.3%)	5.5A (25%)	5.0A (22.7%)	4.5A (20.5%)	4.0A (18.2%)	3.5A (15.9%)	3A (13.6%)	

Appendix B—Installation guidelines

Heat loss data

Table 33. Losses, cooling requirements, and audible noise.

Input voltage	Frame size	Drive catalog number	Output Rating		Control only		Max rating		Airflow	Noise	
			CT/I _a current amps	VT/I _a current amps	Fans on watts	Fans off watts	CT/IH watts	VT/IL watts	CFM (m3/h)	dBA	
100 Vac to 120 Vac 50/60 Hz 1-phase	FR1	DM1-111D6...	1.6	2.5	12	8	22	33	14.83 (25.2)	56.9	
		DM1-113D0...	3	4.8	12	8	48.5	81.1	14.83 (25.2)	56.9	
	FR2	DM1-114D8...	4.8	6.9	16.5	10.1	51	73	24.72 (42)	55.6	
		DM1-116D9...	6.9	7.8	16.5	10.1	73	84	24.72 (42)	55.6	
200 Vac to 240 Vac 50/60 Hz 1-phase	FR1	DM1-121D6...	1.6	2.5	13	9	22	31	14.83 (25.2)	56.9	
		DM1-123D0...	3	4.8	13	9	34	56	14.83 (25.2)	56.9	
		DM1-124D8...	4.8	7.8	13	9	53	93	14.83 (25.2)	56.9	
	FR2	DM1-127D8...	7.8	11	22	11	79	113	37.43 (63.6)	65.6	
		DM1-12011...	11	17.5	22	11	116	201	37.43 (63.6)	65.6	
	FR3	DM1-12017...	17.5	25.3	24	12	163	254	42.37 (72)	58.7	
200 Vac to 240 Vac 50/60 Hz 3-phase	FR1	DM1-321D6...	1.6	2.5	12	8	22	33	14.83 (25.2)	56.9	
		DM1-323D0...	3	4.8	12	8	37.6	46.4	14.83 (25.2)	56.9	
		DM1-324D8...	4.8	7.8	12	8	42	85	14.83 (25.2)	56.9	
		DM1-327D8...	7.8	11	12	8	75	99	14.83 (25.2)	56.9	
	FR2	DM1-32011...	11	17.5	16.5	10.1	93	159	24.72 (42)	55.6	
		DM1-32017...	17.5	25.3	16.5	10.1	140.3	242.7	24.72 (42)	55.6	
	FR3	DM1-32025...	25.3	32.2	19.5	10.4	237.4	332.3	42.37 (72)	58.7	
	FR4	DM1-32032...	32.2	48.3	43	11.7	260.7	432.4	75.56 (128.4)	65.9	
		DM1-32048...	48.3	62.1	43	11.7	445.4	618.2	75.56 (128.4)	65.9	
	380 Vac to 480 Vac 50/60 Hz 3-phase	FR1	DM1-341D5...	1.5	2.2	13	9	37	43	14.83 (25.2)	56.9
DM1-342D2...			2.2	4.3	13	9	56	65	14.83 (25.2)	56.9	
DM1-344D3...			4.3	5.6	13	9	62	75	14.83 (25.2)	56.9	
DM1-345D6...			5.6	7.6	13	9	79	113	14.83 (25.2)	56.9	
FR2		DM1-347D6...	7.6	12	22	12	114	150	37.43 (63.6)	65.6	
		DM1-34012...	12	16	22	12	140	203	37.43 (63.6)	65.6	
		DM1-34016...	16	23	22	12	216.4	332.4	37.43 (63.6)	65.6	
FR3		DM1-34023...	23	31	37.7	17.8	282.3	407.4	58.61 (99.6)	64	
FR4		DM1-34031...	31	38	47.5	16.9	296.7	393.8	57.56 (97.8)	65.9	
		DM1-34038...	38	46	47.5	16.9	428.2	473.4	57.56 (97.8)	65.9	
525 Vac to 600 Vac 50/60 Hz 3-phase		FR2	DM1-354D5...	4.5	7.5	23	12	80	140	37.43 (63.6)	65.6
			DM1-357D5...	7.5	10	23	12	140	170	37.43 (63.6)	65.6
	DM1-35010...		10	13.5	23	12	170	220	37.43 (63.6)	65.6	
	FR3	DM1-35013...	13.5	18	27	15	215	275	42.37 (72)	58.7	
	FR4	DM1-35018...	18	22	47.5	17	240	300	57.56(97.8)	65.9	
		DM1-35022...	22	27	47.5	17	300	380	57.56(97.8)	65.9	

Brake resistor sizing

Table 34. Dynamic brake resistors.

Input voltage	Frame size	Drive catalog number	Output rating		Resistor specifications							
			CT/I _L current amps	VT/I _L current amps	Minimum resistance ohms	Suggested resistance ohms	10% duty cycle 100% torque watts	20% duty cycle 100% torque watts	40% duty cycle 100% torque watts	50% duty cycle 150% torque watts	20% duty cycle 100% torque catalog number	50% duty cycle 150% torque catalog number
100 Vac to 120 Vac 50/60 Hz 1-phase	FR1	DM1-111D6...	1.6	2.5	47	100	80	160	320	400		DBR-R100-W0400
		DM1-113D0...	3	4.8	47	100	80	160	320	400		DBR-R100-W0400
	FR2	DM1-114D8...	4.8	6.9	27	100	80	160	320	400		DBR-R100-W0400
		DM1-116D9...	6.9	7.8	27	100	80	160	320	400		DBR-R100-W0400
200 Vac to 240 Vac 50/60 Hz 1-phase	FR1	DM1-121D6...	1.6	2.5	36	100	80	160	320	400		DBR-R100-W0400
		DM1-123D0...	3	4.8	36	100	80	160	320	400		DBR-R100-W0400
		DM1-124D8...	4.8	7.8	36	100	80	160	320	400		DBR-R100-W0400
	FR2	DM1-127D8...	7.8	11	27	100	80	160	320	400		DBR-R100-W0400
		DM1-12011...	11	17.5	27	40	200	400	800	1000	DBR-R100-W0400	DBR-R036-W1200
	FR3	DM1-12017...	17.5	25.3	16	40	200	400	800	1000	DBR-R100-W0400	DBR-R036-W1200
200 Vac to 240 Vac 50/60 Hz 3-phase	FR1	DM1-321D6...	1.6	2.5	36	100	80	160	320	400		DBR-R100-W0400
		DM1-323D0...	3	4.8	36	100	80	160	320	400		DBR-R100-W0400
		DM1-324D8...	4.8	7.8	36	100	80	160	320	400		DBR-R100-W0400
		DM1-327D8...	7.8	11	36	100	80	160	320	400		DBR-R100-W0400
	FR2	DM1-32011...	11	17.5	16	40	200	400	800	1000	DBR-R100-W0400	DBR-R036-W1200
		DM1-32017...	17.5	25.3	16	40	200	400	800	1000	DBR-R100-W0400	DBR-R036-W1200
	FR3	DM1-32025...	25.3	32.2	12	20	400	800	1600	2000	DBR-R036-W0800	DBR-R012-W2400
	FR4	DM1-32032...	32.2	48.3	6	20	400	800	1600	2000	DBR-R036-W0800	DBR-R012-W2400
		DM1-32048...	48.3	62.1	6	20	400	800	1600	2000	DBR-R036-W0800	DBR-R012-W2400

Appendix B—Installation guidelines

Table 34. Dynamic brake resistors (continued).

Input voltage	Frame size	Drive catalog number	Output rating		Resistor specifications								
			CT/I _L current amps	VT/I _L current amps	Minimum resistance ohms	Suggested resistance ohms	10% duty cycle 100% torque watts	20% duty cycle 100% torque watts	40% duty cycle 100% torque watts	50% duty cycle 150% torque watts	20% duty cycle 100% torque catalog number	50% duty cycle 150% torque catalog number	
380 Vac to 480 Vac 50/60 Hz 3-phase	FR1	DM1-341D5...	1.5	2.2	105	400	80	160	320	400		DBR-R100-W0400	
		DM1-342D2...	2.2	4.3	105	400	80	160	320	400		DBR-R100-W0400	
		DM1-344D3...	4.3	5.6	105	400	80	160	320	400		DBR-R100-W0400	
		DM1-345D6...	5.6	7.6	105	128	250	500	1000	1250	DBR-R100-W0800	DBR-R100-W1200	
	FR2	DM1-347D6...	7.6	12	35	128	250	500	1000	1250	DBR-R100-W0800	DBR-R063-W1600	
		DM1-34012...	12	16	35	128	250	500	1000	1250	DBR-R100-W0800	DBR-R063-W1600	
		DM1-34016...	16	23	35	80	400	800	1600	2000	DBR-R100-W0800	DBR-R100-W2000	
	FR3	DM1-34023...	23	31	26	80	400	800	1600	2000	DBR-R100-W0800	DBR-R100-W2000	
	FR4	DM1-34031...	31	38	17	40	800	1600	3200	4000	DBR-R063-W1600	DBR-R030-W4000	
		DM1-34038...	38	46	17	40	800	1600	3200	4000	DBR-R063-W1600	DBR-R030-W4000	
	525 Vac to 600 Vac 50/60 Hz 3-phase	FR2	DM1-354D5...	4.5	7.5	40	200	250	500	1000	1250	DBR-R100-W0800	DBR-R100-W2000
			DM1-357D5...	7.5	10	40	200	250	500	1000	1250	DBR-R100-W0800	DBR-R100-W2000
DM1-35010...			10	13.5	40	200	250	500	1000	1250	DBR-R100-W0800	DBR-R100-W2000	
FR3		DM1-35013...	13.5	18	20	100	500	1000	2000	2500	DBR-R100-W1200	DBR-R100-W2800	
FR4		DM1-35018...	18	22	20	100	500	1000	2000	2500	DBR-R100-W1200	DBR-R100-W2800	
		DM1-35022...	22	27	20	100	500	1000	2000	2500	DBR-R100-W1200	DBR-R100-W2800	

The input current scaling describes what the input current will be if an undersized motor is applied to the drive. This allows for smaller cables and circuit protection where oversized drives are used. Three options are provide to allow flexibility in installations.

Table 35. Input current scaling.

Input voltage	Frame size	Drive catalog number	Output rating								Input rating							
			Max rating		Option 1		Option 2		Option 3		Max rating		Option 1		Option 2		Option 3	
			CT/I _H cur- rent amps	VT/I _L cur- rent amps	CT/I _H cur- rent amps	VT/I _L cur- rent amps	CT/I _H cur- rent amps	VT/I _L cur- rent amps	CT/I _H cur- rent amps	VT/I _L cur- rent amps	CT/I _H cur- rent amps	VT/I _L cur- rent amps	CT/I _H cur- rent amps	VT/I _L cur- rent amps	CT/I _H cur- rent amps	VT/I _L cur- rent amps	CT/I _H cur- rent amps	VT/I _L cur- rent amps
100 Vac to 120 Vac 50/60 Hz 1-Phase	FR1	DM1-111D6...	1.6	2.5	1.3	1.6	1	1.3	0.8	1	6.4	10						
		DM1-113D0...	3	4.8	1.6	2.5	1.3	1.6	1	1.3	13.5	20						
	FR2	DM1-114D8...	4.8	6.9	3	4.8	1.6	2.5	1.3	1.6	20	26.4						
		DM1-116D9...	6.9	7.8	4.8	6.9	3	4.8	1.6	2.5	26.4	30						
200 Vac to 240 Vac 50/60 Hz 1-phase	FR1	DM1-121D6...	1.6	2.5	1.3	1.6	1	1.3	0.8	1	4	6.5						
		DM1-123D0...	3	4.8	1.6	2.5	1.3	1.6	1	1.3	8	11						
		DM1-124D8...	4.8	6.9	3	4.8	1.6	2.5	1.3	1.6	11	17						
	FR2	DM1-127D8...	7.8	11	4.8	7.8	3	4.8	1.6	2.5	18	23						
		DM1-12011...	11	17.5	7.8	11	4.8	7.8	3	4.8	23	35						
	FR3	DM1-12017...	17.5	25.3	11	17.5	7.8	11	4.8	7.8	38	49.6						
200 Vac to 240 Vac 50/60 Hz 3-phase	FR1	DM1-321D6...	1.6	2.5	1.3	1.6	1	1.3	0.8	1	8	11	1.5	2.1	1.2	1.5	1	1.2
		DM1-323D0...	3	4.8	1.6	2.5	1.3	1.6	1	1.3			2.1	3.3	1.5	2.1	1.2	1.5
		DM1-324D8...	4.8	6.9	3	4.8	1.6	2.5	1.3	1.6	11	17	3.9	5.8	2.1	3.3	1.5	2.1
		DM1-327D8...	7.8	11	4.8	7.8	3	4.8	1.6	2.5			5.8	9.4	3.9	5.8	2.1	3.3
	FR2	DM1-32011...	11	17.5	7.8	11	4.8	7.8	3	4.8	18	23	9.4	13.2	5.8	9.4	3.9	5.8
		DM1-32017...	17.5	25.3	11	17.5	7.8	11	4.8	7.8			12.7	20.1	9.4	13.2	5.8	9.4
	FR3	DM1-32025...	25.3	32.2	17.5	25.3	11	17.5	7.8	11	23	35	20.1	29.1	12.7	20.1	9.4	13.2
	FR4	DM1-32032...	32.2	48.3	25.3	32.2	17.5	25.3	11	17.5			29.1	37	20.1	29.1	12.7	20.1
		DM1-32048...	48.3	62.1	32.2	48.3	25.3	32.2	17.5	25.3	38	49.6	35.4	53.1	29.1	37	20.1	29.1

Appendix B—Installation guidelines

Table 35. Input current scaling (continued).

Input voltage	Frame size	Drive catalog number	Output rating								Input rating							
			Max rating		Option 1		Option 2		Option 3		Max rating		Option 1		Option 2		Option 3	
			CT/I _H current amps	VT/I _L current amps	CT/I _H current amps	VT/I _L current amps	CT/I _H current amps	VT/I _L current amps	CT/I _H current amps	VT/I _L current amps	CT/I _H current amps	VT/I _L current amps	CT/I _H current amps	VT/I _L current amps	CT/I _H current amps	VT/I _L current amps	CT/I _H current amps	VT/I _L current amps
380 Vac to 480 Vac 50/60 Hz 3-phase	FR1	DM1-341D5...	1.5	2.2	1.1	1.5	0.9	1.1	0.7	0.9	1.8	2.6	1.5	1.8	1.2	1.5	1	1.2
		DM1-342D2...	2.2	4.3	1.5	2.2	1.1	1.5	0.9	1.1	2.6	5.2	1.8	2.6	1.5	1.8	1.2	1.5
		DM1-344D3...	4.3	5.6	2.2	4.3	1.5	2.2	1.1	1.5	5.2	6.7	2.6	5.2	1.8	2.6	1.5	1.8
		DM1-345D6...	5.6	7.6	4.3	5.6	2.2	4.3	1.5	2.2	6.7	9.1	5.2	6.7	2.6	5.2	1.8	2.6
	FR2	DM1-347D6...	7.6	12	5.6	7.6	4.3	5.6	2.2	4.3	9.1	14.4	6.7	9.1	5.2	6.7	2.6	5.2
		DM1-34012...	12	16	7.6	12	5.6	7.6	4.3	5.6	14.4	19.2	9.1	14.4	6.7	9.1	5.2	6.7
		DM1-34016...	16	23	12	16	7.6	12	5.6	7.6	19.2	27.6	14.4	19.2	9.1	14.4	6.7	9.1
	FR3	DM1-34023..	23	31	16	23	12	16	7.6	12	26.5	35.7	19.2	27.6	14.4	19.2	9.1	14.4
	FR4	DM1-34031...	31	38	23	31	16	23	12	16	35.7	43.7	26.5	35.7	19.2	27.6	14.4	19.2
		DM1-34038...	38	46	31	38	23	31	16	23	43.7	52.9	35.7	43.7	26.5	35.7	19.2	27.6
525 Vac to 600 Vac 50/60 Hz 3-Phase	FR2	DM1-354D5...	4.5	7.5	2.7	4.5	1.7	2.7	1.4	1.7	6	9						
		DM1-357D5...	7.5	10	4.5	7.5	2.7	4.5	1.7	2.7	9	12						
		DM1-35010...	10	13.5	7.5	10	4.5	7.5	2.7	4.5	12	16.2						
	FR3	DM1-35013...	13.5	18	10	13.5	7.5	10	4.5	7.5	16.2	21.6						
	FR4	DM1-35018...	18	22	13.5	18	10	13.5	7.5	10	21.6	26.4						
		DM1-35022...	22	27	18	22	13.5	18	10	13.5	26.4	32.4						

Table 36. Power factor and THDi.

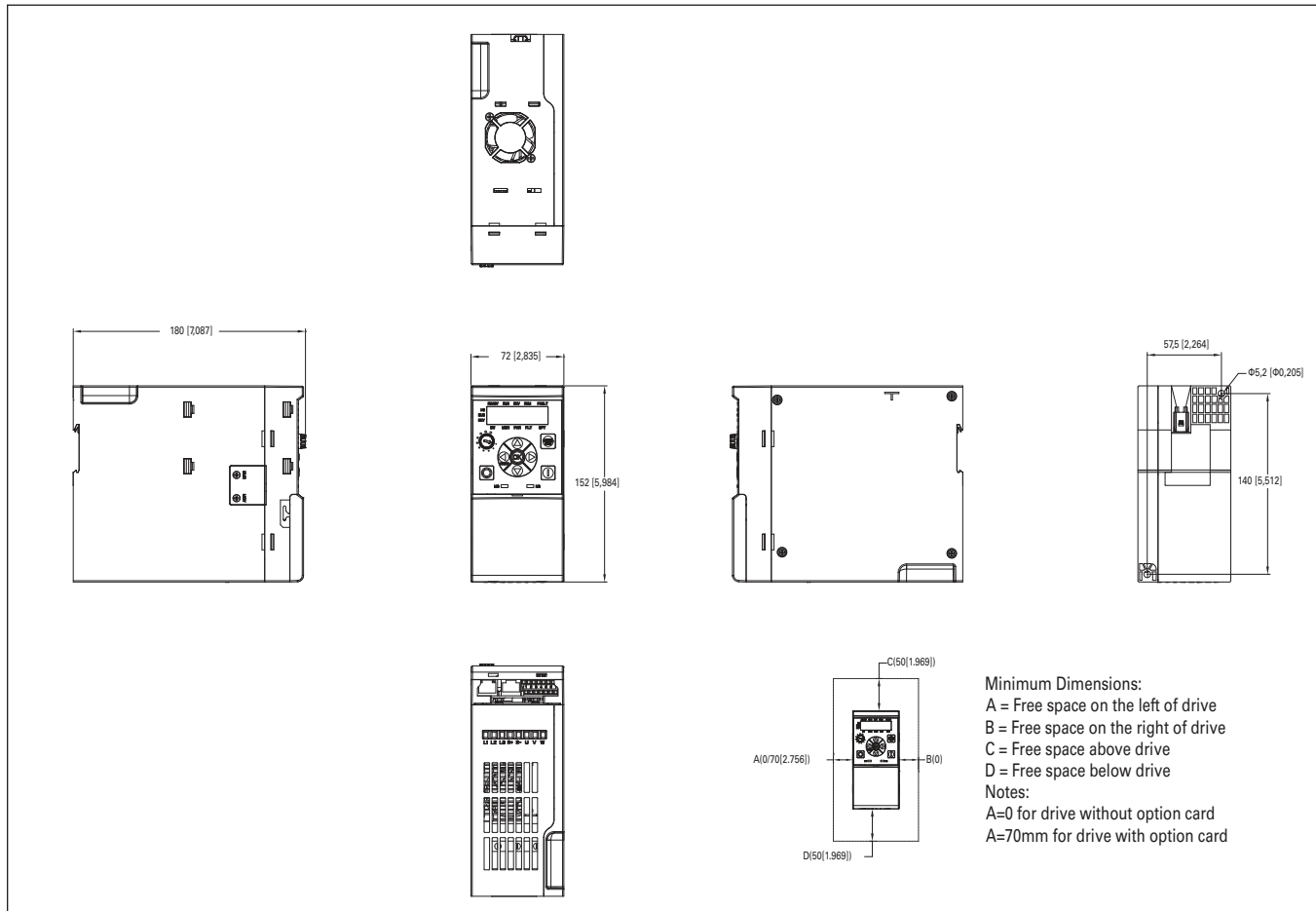
Input line voltage (V)	Load torque	230V FR1						230V FR2				230V FR3				230V FR4			
		Total power factor	THDi			Total power factor	THDi			Total power factor	THDi			Total power factor	THDi				
			Phase R	Phase S	Phase T		Phase R	Phase S	Phase T		Phase R	Phase S	Phase T		Phase R	Phase S	Phase T		
176.8	25%	0.82	65%	66%	65%	0.86	52%	53%	53%	0.71	97%	94%	94%	0.68	105%	103%	102%		
	50%	0.89	45%	46%	46%	0.91	37%	38%	37%	0.76	82%	80%	79%	0.73	92%	91%	90%		
	75%	0.91	37%	38%	39%	0.92	31%	32%	32%	0.78	76%	74%	74%	0.76	84%	83%	83%		
	100%	0.92	33%	33%	34%	0.93	26%	28%	27%	0.81	68%	66%	65%	0.79	73%	74%	73%		
208	25%	0.80	70%	69%	68%	0.86	54%	54%	54%	0.70	97%	93%	94%	0.63	113%	109%	111%		
	50%	0.86	52%	52%	52%	0.91	37%	39%	38%	0.74	87%	84%	84%	0.73	94%	91%	91%		
	75%	0.90	42%	42%	43%	0.92	31%	33%	31%	0.77	79%	77%	77%	0.75	85%	83%	84%		
	100%	0.91	37%	37%	37%	0.93	28%	30%	28%	0.79	72%	71%	70%	0.77	79%	78%	78%		
230	25%	0.78	74%	73%	72%	0.83	62%	63%	62%	0.68	102%	98%	100%	0.66	109%	106%	104%		
	50%	0.85	58%	57%	55%	0.88	47%	48%	47%	0.74	89%	86%	86%	0.70	100%	98%	97%		
	75%	0.89	45%	45%	46%	0.92	34%	36%	34%	0.77	81%	79%	78%	0.73	91%	89%	88%		
	100%	0.90	39%	40%	40%	0.93	29%	31%	30%	0.79	74%	71%	71%	0.76	81%	81%	81%		
264	25%	0.77	79%	77%	76%	0.83	61%	61%	61%	0.66	106%	101%	102%	0.67	108%	104%	107%		
	50%	0.82	64%	64%	63%	0.90	42%	43%	41%	0.72	94%	91%	91%	0.71	98%	93%	95%		
	75%	0.87	50%	50%	50%	0.91	37%	39%	37%	0.75	84%	82%	81%	0.75	87%	84%	85%		
	100%	0.90	43%	43%	43%	0.92	32%	35%	32%	0.77	80%	78%	77%	0.76	84%	81%	82%		

Input line voltage (V)	Load torque	480V FR1						480V FR2				480V FR3				480V FR4			
		Total power factor	THDi			Total power factor	THDi			Total power factor	THDi			Total power factor	THDi				
			Phase R	Phase S	Phase T		Phase R	Phase S	Phase T		Phase R	Phase S	Phase T		Phase R	Phase S	Phase T		
323	0%	0.38	184%	159%	178%	0.45	177%	150%	157%	0.74	89%	85%	89%	0.78	77%	73%	74%		
	50%	0.63	119%	118%	116%	0.67	106%	106%	106%	0.79	74%	70%	73%	0.85	59%	54%	56%		
	75%	0.65	114%	113%	112%	0.71	96%	96%	96%	0.83	61%	58%	63%	0.89	47%	43%	45%		
	100%	0.67	106%	104%	103%	0.71	95%	95%	95%	0.87	52%	48%	52%	0.91	41%	38%	40%		
380	0%	0.35	186%	173%	193%	0.41	190%	171%	176%	0.73	93%	88%	93%	0.75	85%	80%	82%		
	50%	0.59	134%	131%	132%	0.64	116%	115%	116%	0.77	81%	77%	80%	0.80	70%	67%	68%		
	75%	0.61	127%	124%	123%	0.66	112%	111%	112%	0.80	72%	68%	72%	0.86	56%	52%	52%		
	100%	0.66	109%	106%	105%	0.69	103%	102%	102%	0.83	62%	58%	63%	0.89	47%	45%	46%		
480	0%	0.35	157%	144%	163%	0.40	172%	160%	165%	0.72	95%	91%	96%	0.73	90%	84%	87%		
	50%	0.62	123%	118%	120%	0.66	110%	109%	111%	0.77	80%	76%	80%	0.81	69%	65%	68%		
	75%	0.65	113%	110%	110%	0.69	102%	102%	102%	0.80	72%	69%	71%	0.86	55%	50%	53%		
	100%	0.69	101%	98%	97%	0.71	95%	95%	95%	0.83	63%	58%	63%	0.89	46%	43%	45%		
528	0%	0.32	181%	152%	161%	0.39	167%	152%	176%	0.71	98%	92%	97%	0.74	87%	82%	85%		
	50%	0.64	116%	112%	109%	0.66	112%	110%	111%	0.76	83%	79%	82%	0.80	71%	67%	69%		
	75%	0.66	111%	107%	107%	0.68	105%	104%	104%	0.79	73%	70%	73%	0.85	58%	52%	56%		
	100%	0.67	108%	104%	104%	0.71	94%	95%	94%	0.82	65%	61%	65%	0.88	49%	45%	48%		

Appendix C—Dimension drawings

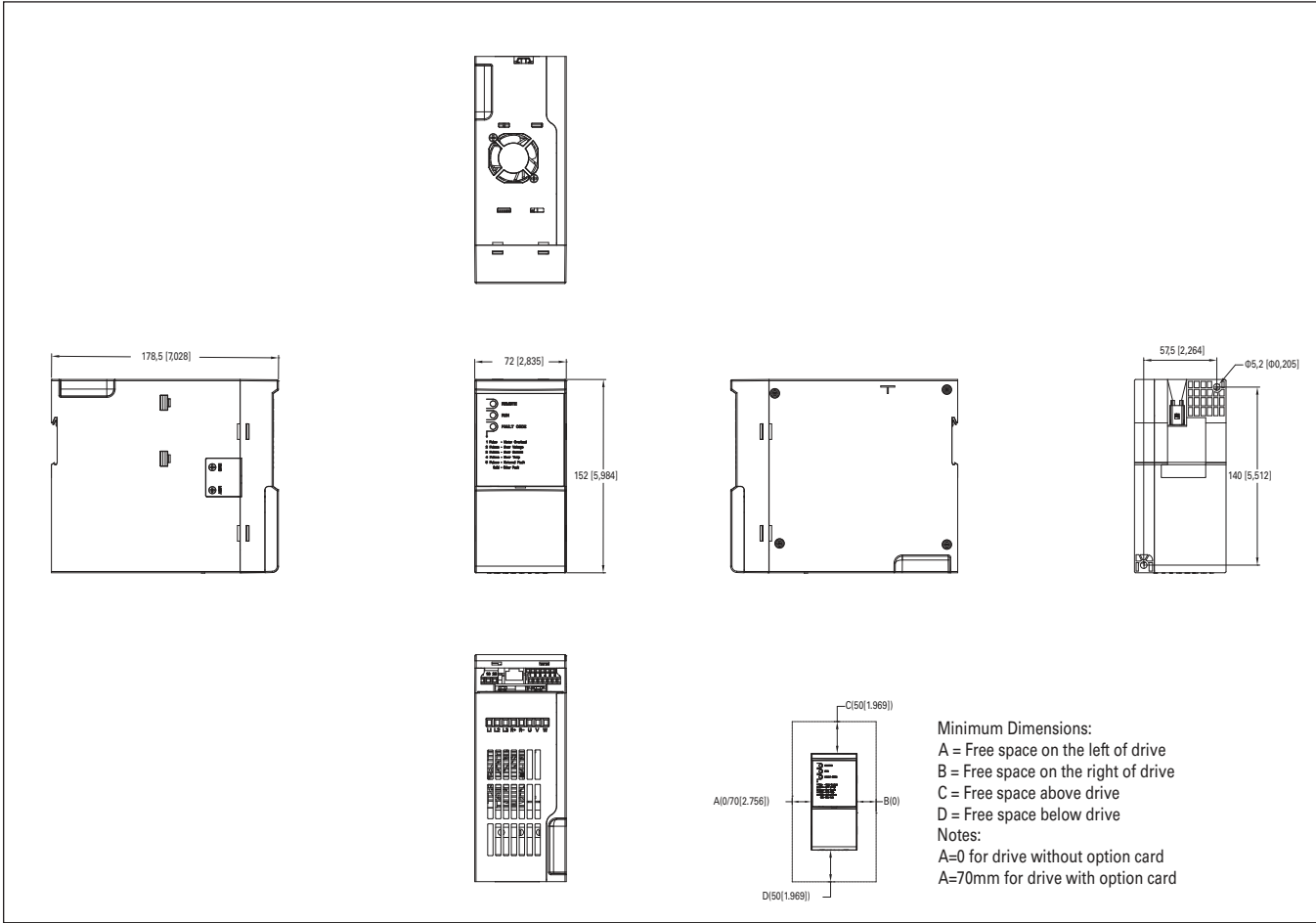
Approximate dimensions in inches (mm).

Figure 12. DM1 Pro FR1 without NEMA 1 kit dimension drawing.



Approximate dimensions in inches (mm).

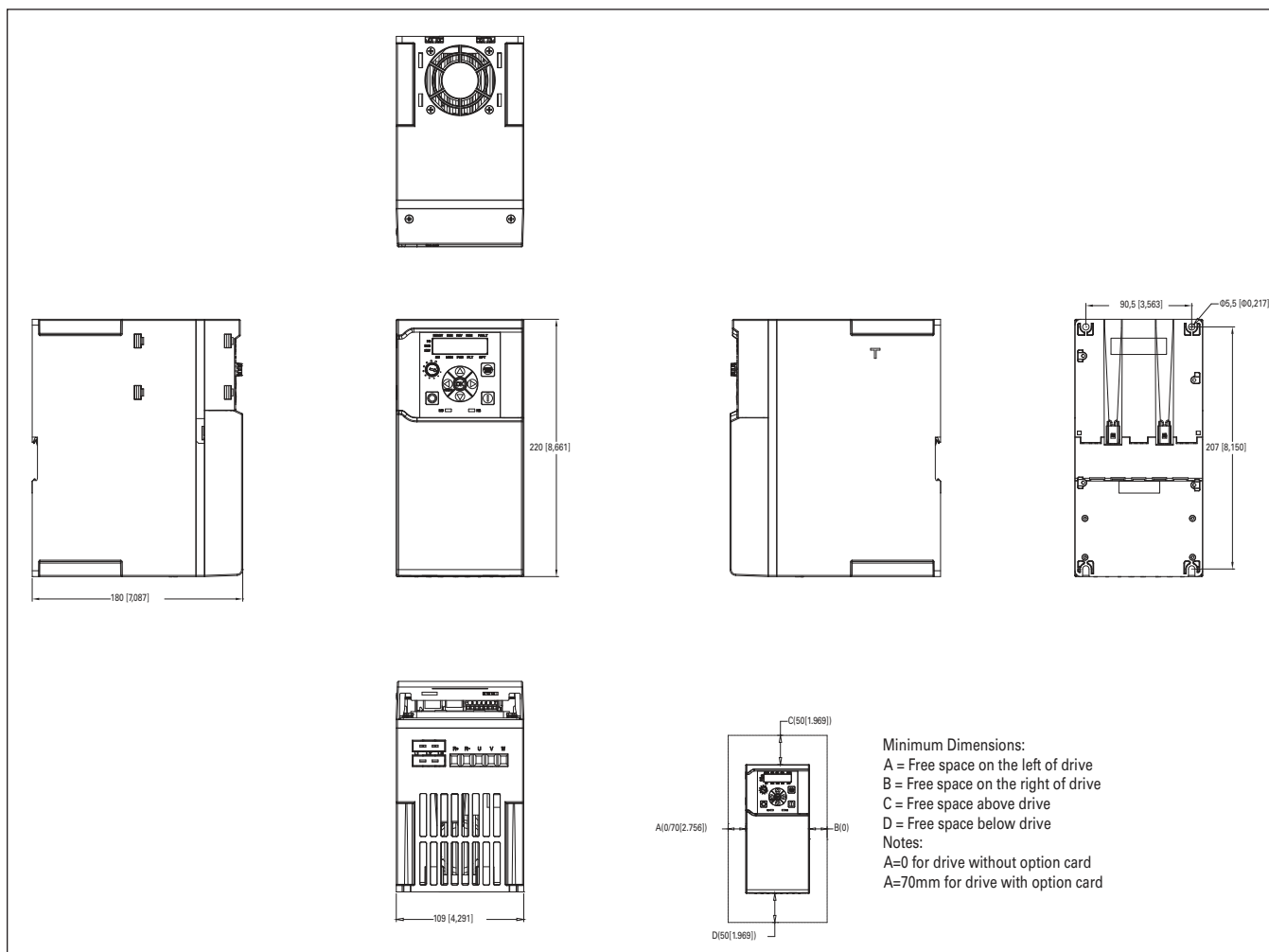
Figure 13. DM1 FR1 without NEMA 1 kit dimension drawing.



Appendix C—Dimension drawings

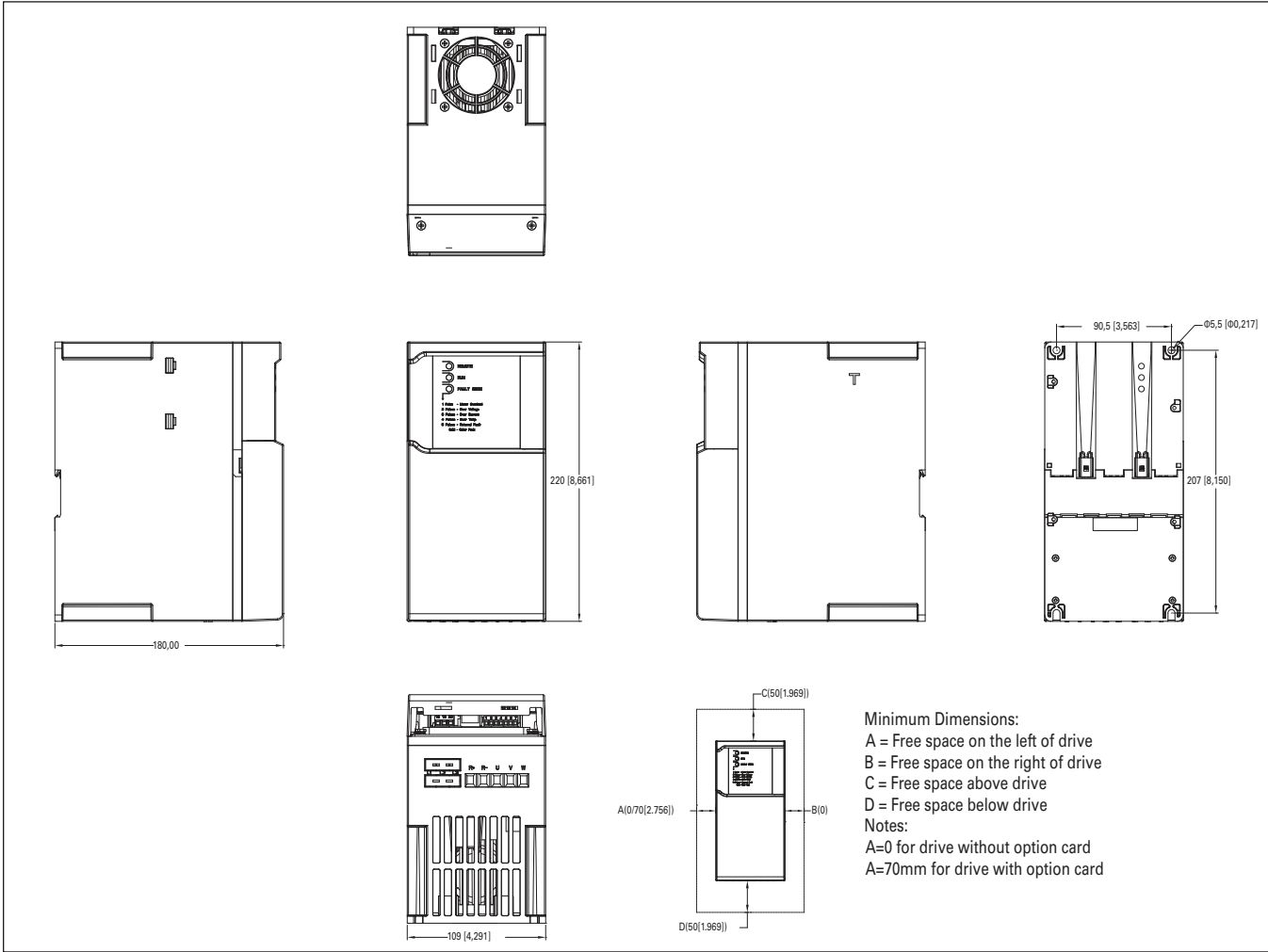
Approximate dimensions in inches (mm).

Figure 14. DM1 Pro FR2 without NEMA 1 kit dimension drawing.



Approximate dimensions in inches (mm).

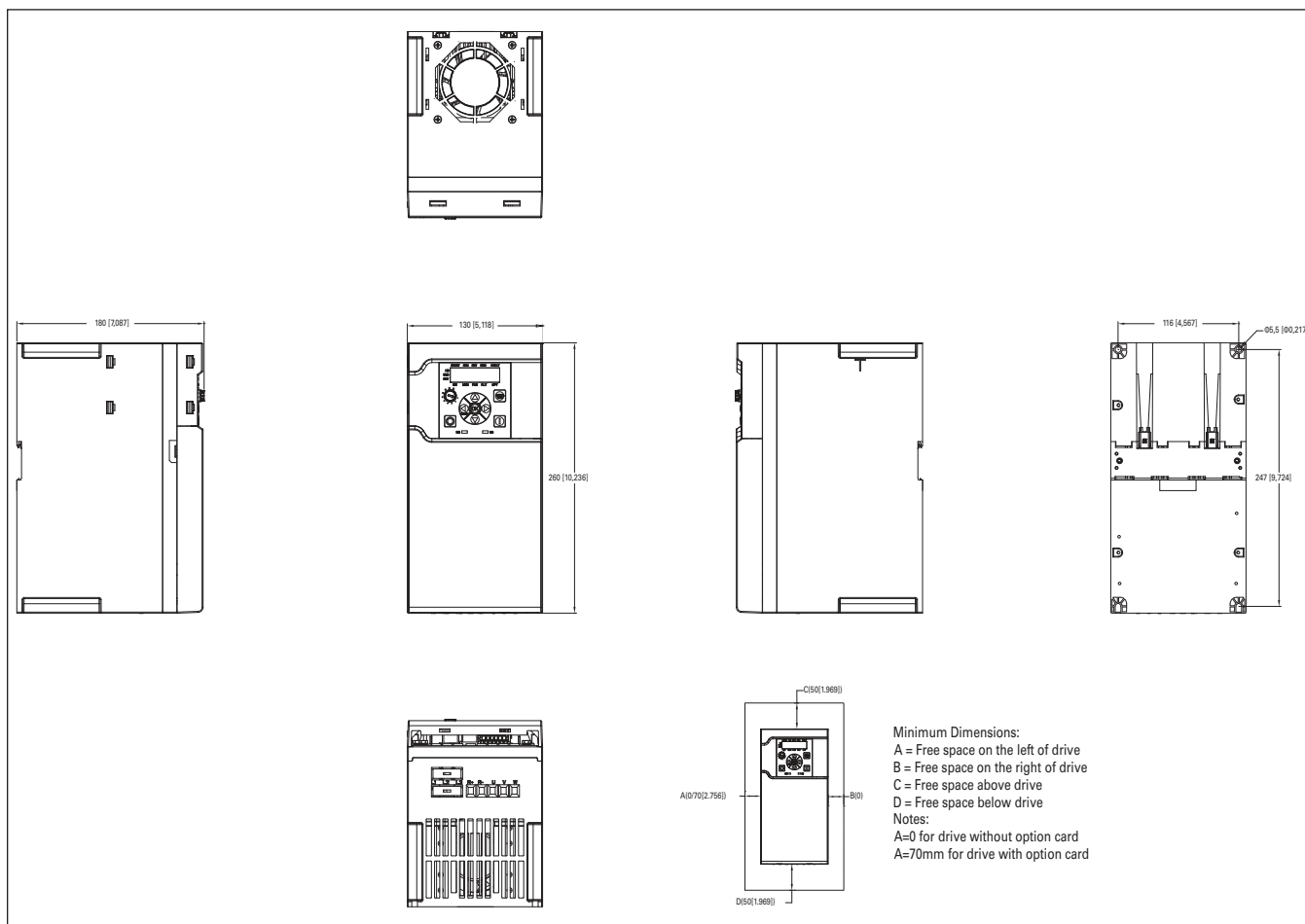
Figure 15. DM1 FR2 without NEMA 1 kit dimension drawing.



Appendix C—Dimension drawings

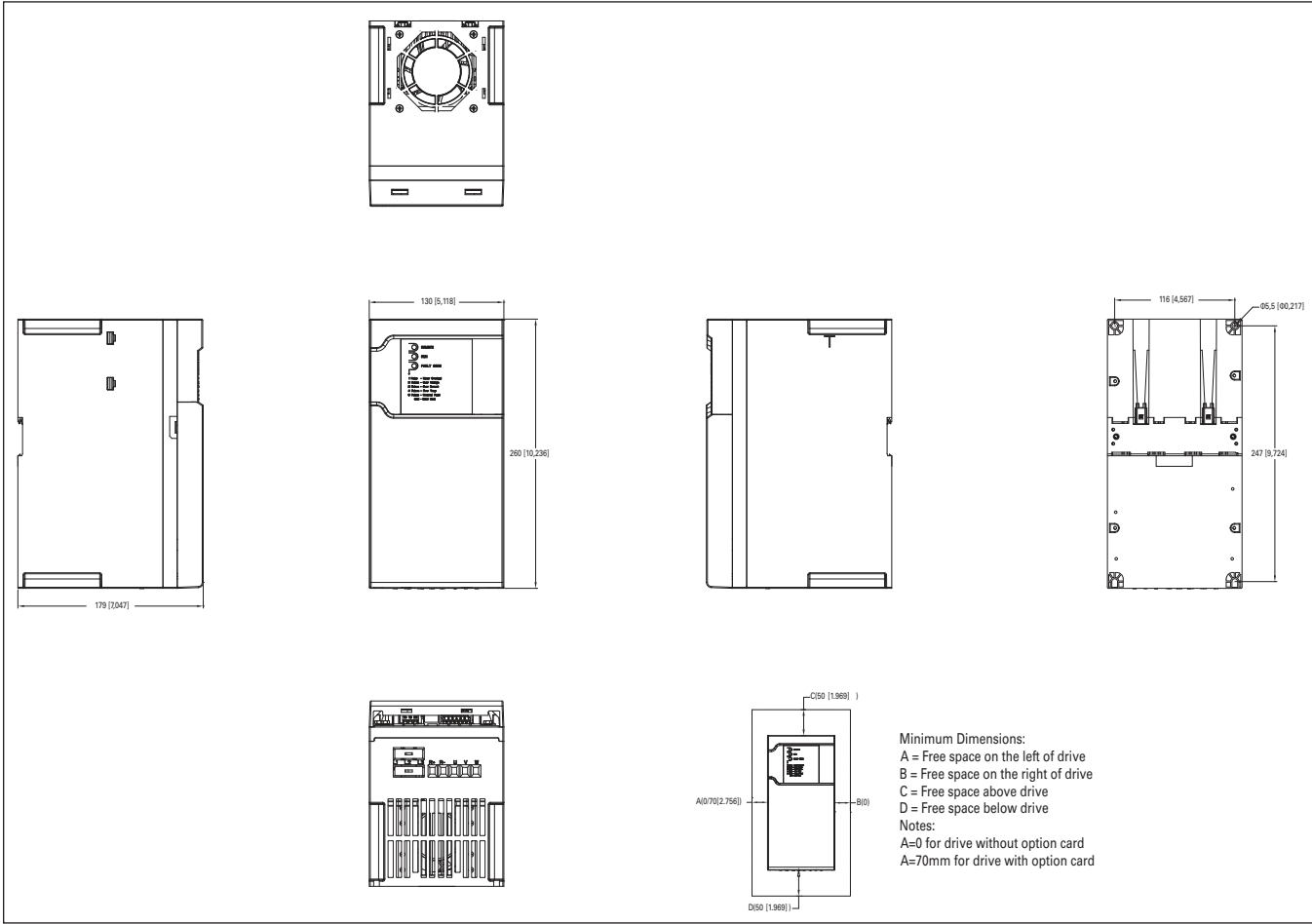
Approximate dimensions in inches (mm).

Figure 16. DM1 Pro FR3 without NEMA 1 kit dimension drawing.



Approximate dimensions in inches (mm).

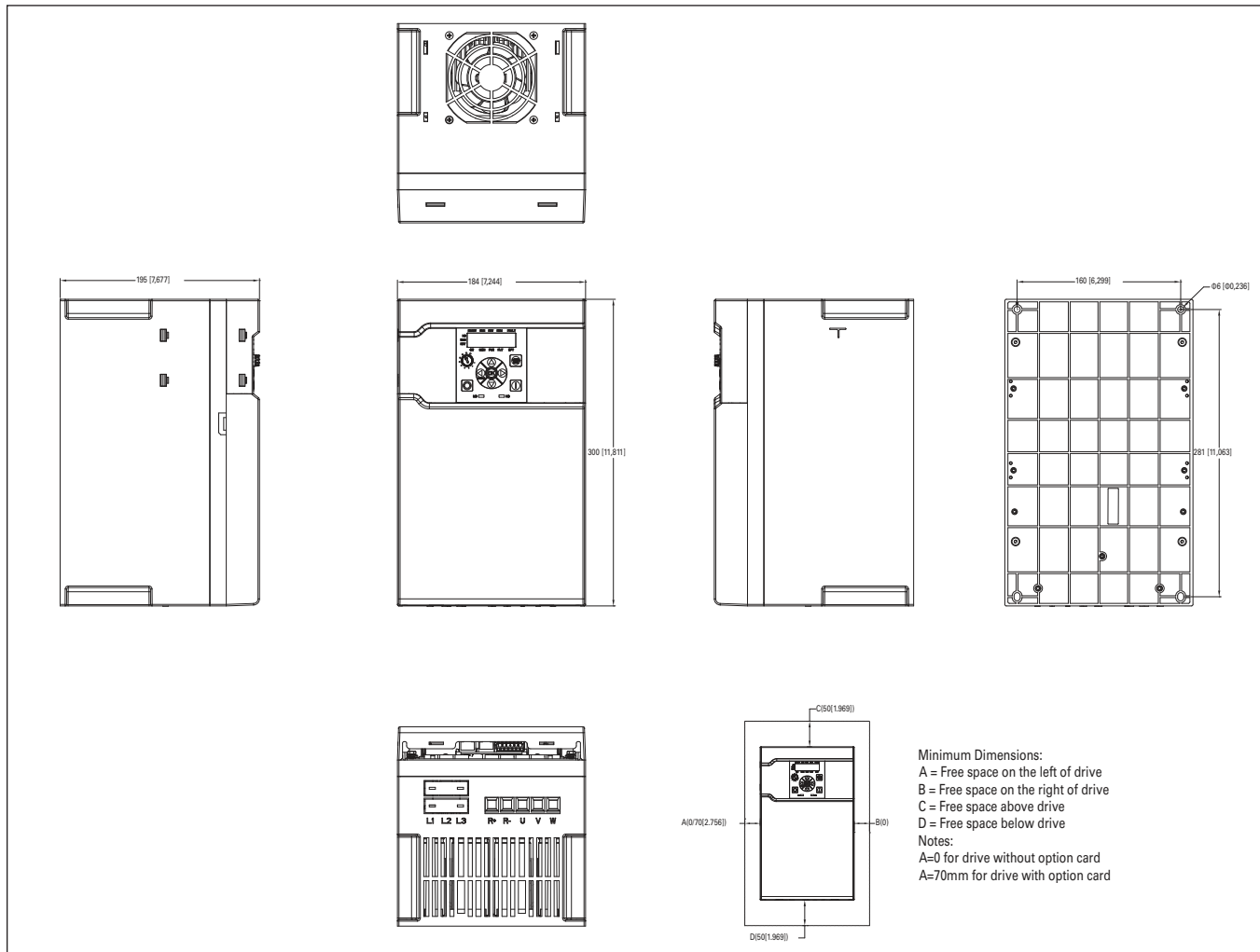
Figure 17. DM1 FR3 without NEMA 1 kit dimension drawing.



Appendix C—Dimension drawings

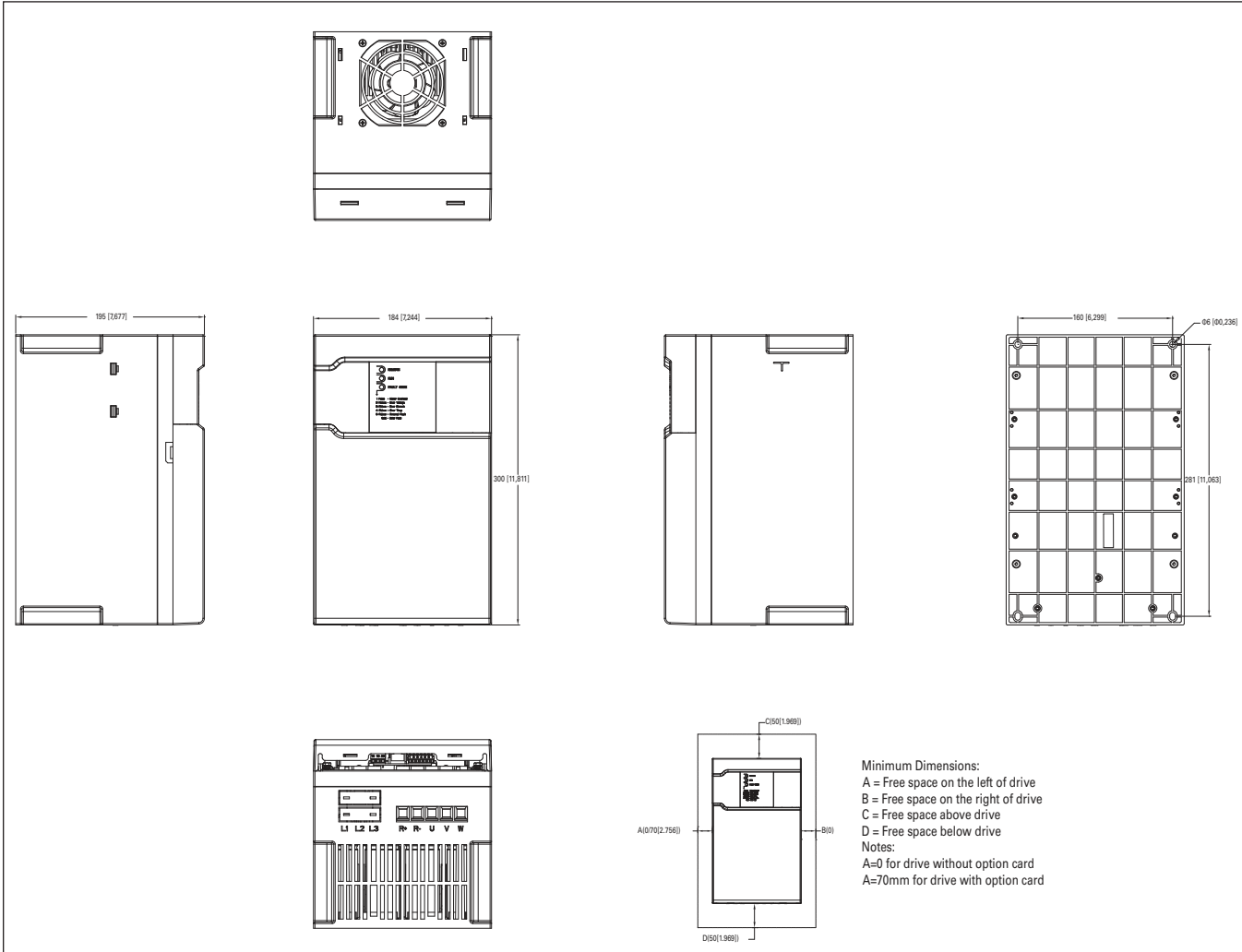
Approximate dimensions in inches (mm).

Figure 18. DM1 Pro FR4 without NEMA 1 kit dimension drawing.



Approximate dimensions in inches (mm).

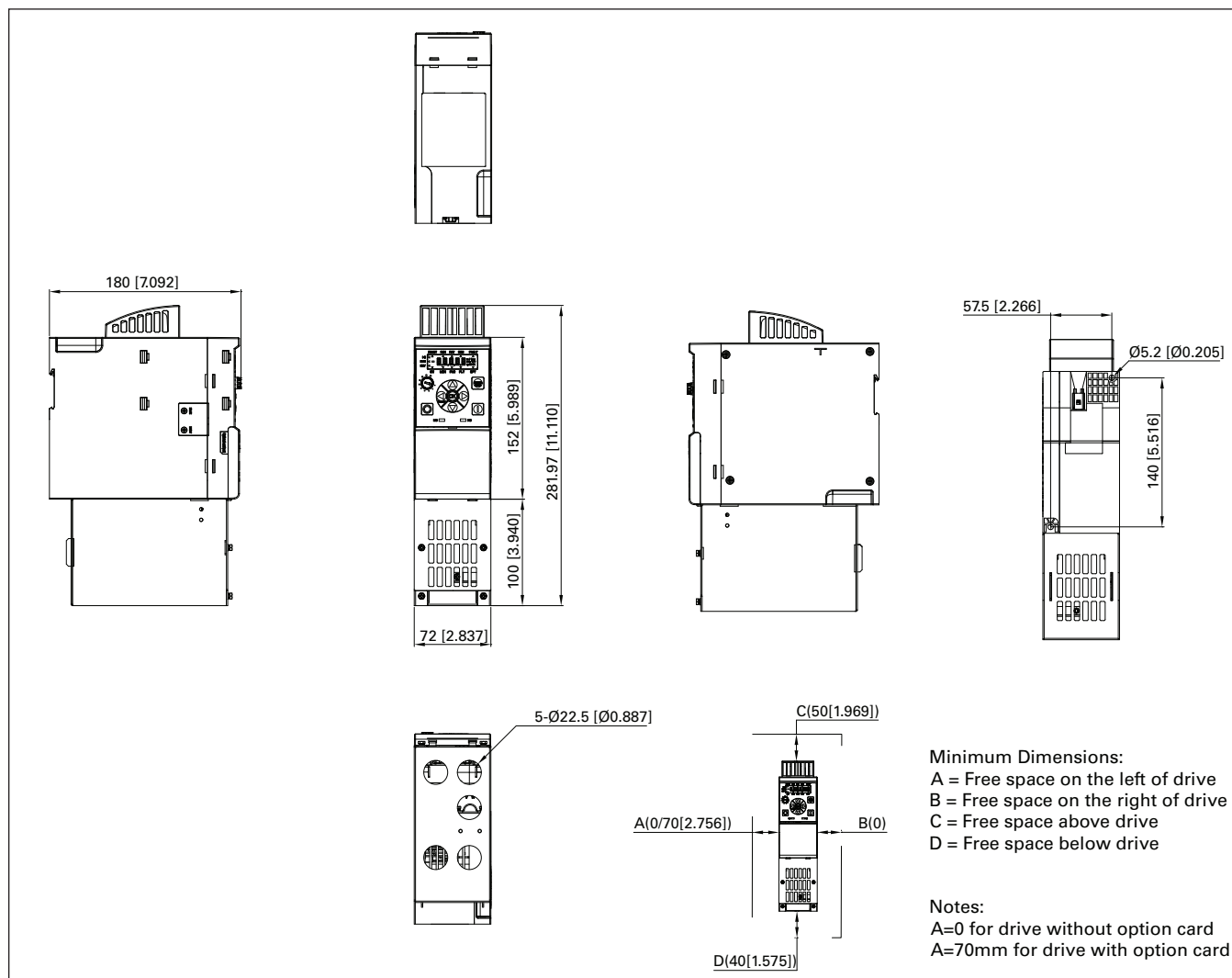
Figure 19. DM1 FR4 without NEMA 1 kit dimension drawing.



Appendix C—Dimension drawings

Approximate dimensions in inches (mm).

Figure 20. DM1 Pro FR1 with NEMA 1 kit dimension drawing.

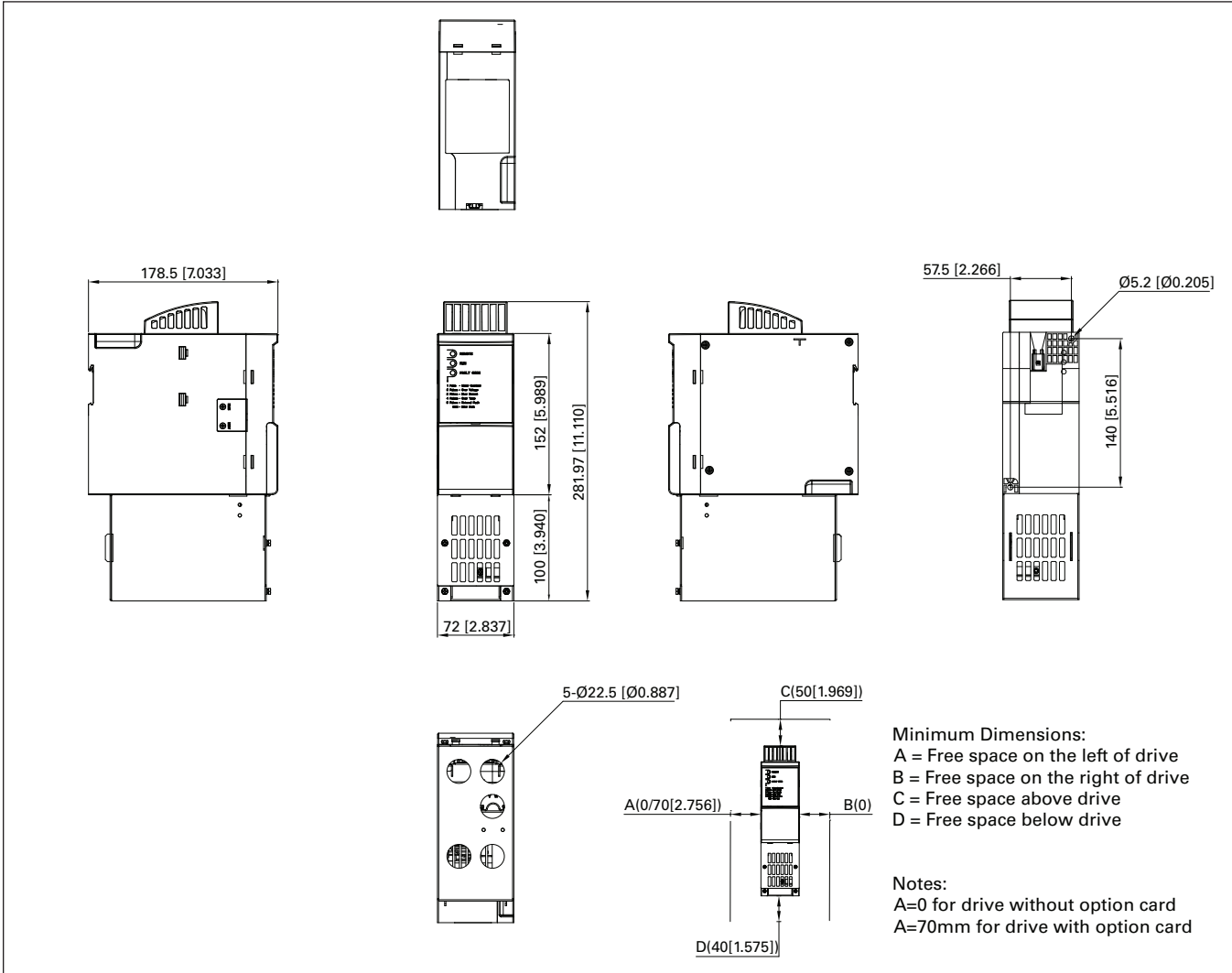


Minimum Dimensions:
 A = Free space on the left of drive
 B = Free space on the right of drive
 C = Free space above drive
 D = Free space below drive

Notes:
 A=0 for drive without option card
 A=70mm for drive with option card

Approximate dimensions in inches (mm).

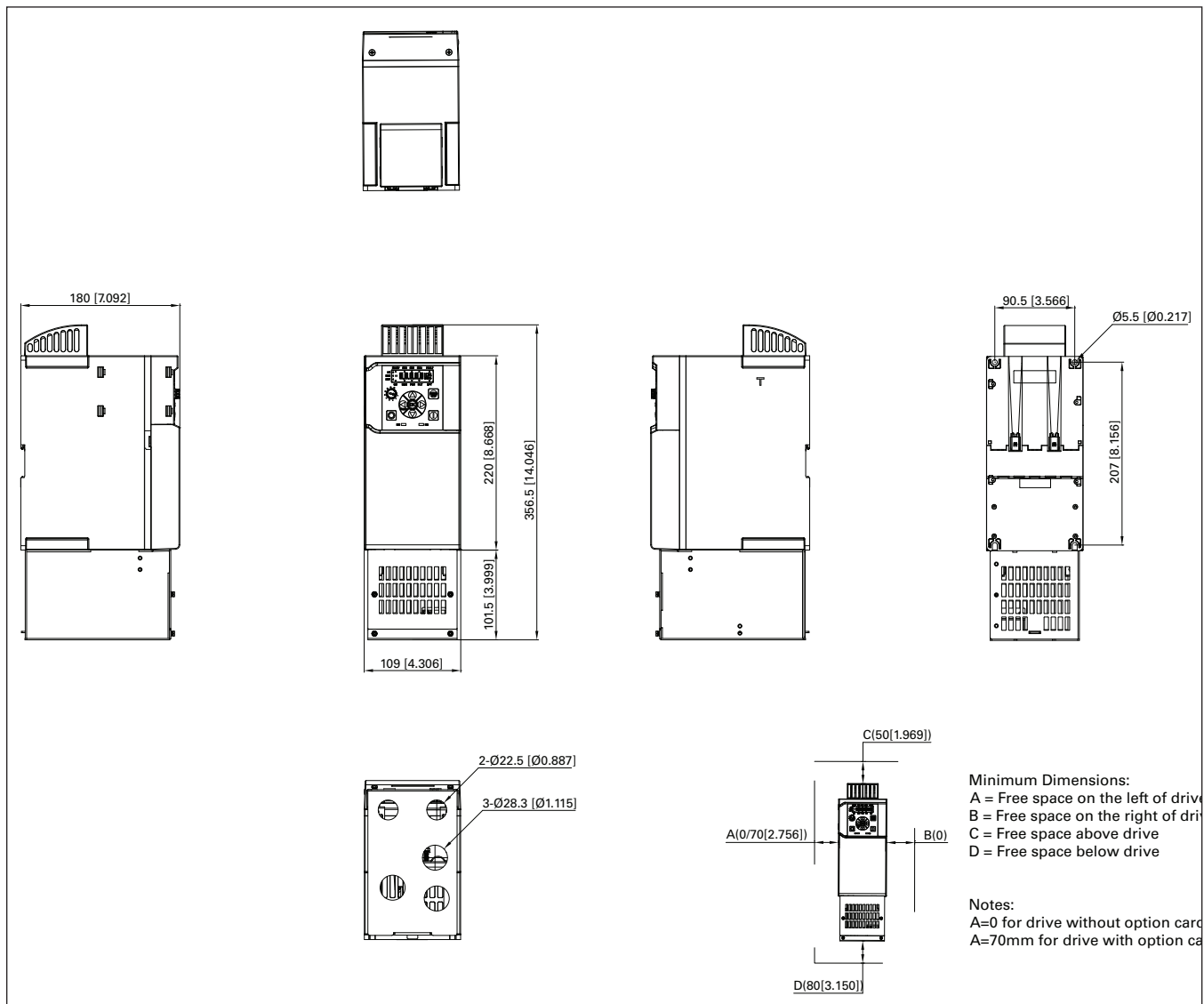
Figure 21. DM1 FR1 with NEMA 1 kit dimension drawing.



Appendix C—Dimension drawings

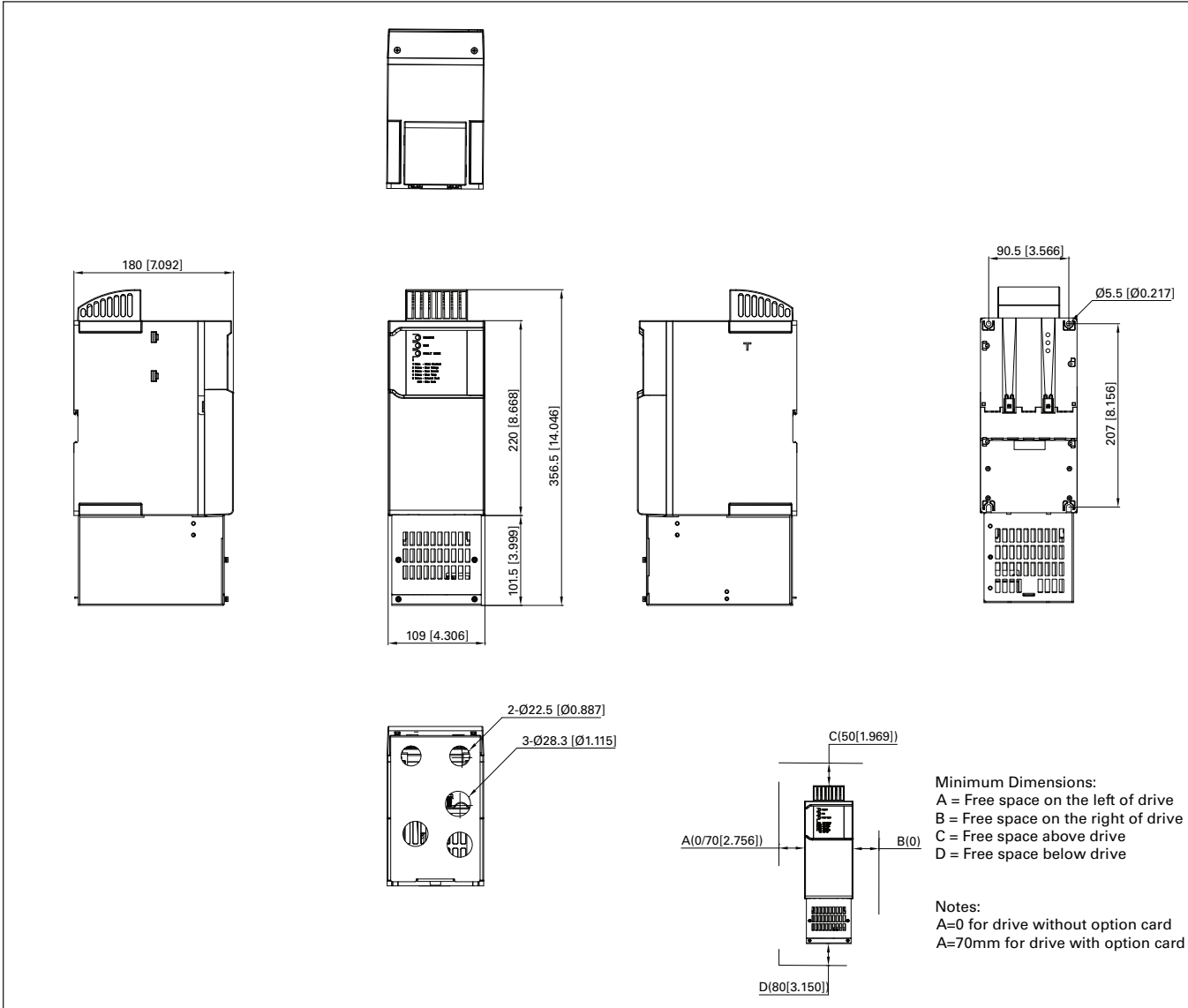
Approximate dimensions in inches (mm).

Figure 22. DM1 Pro FR2 with NEMA 1 kit dimension drawing.



Approximate dimensions in inches (mm).

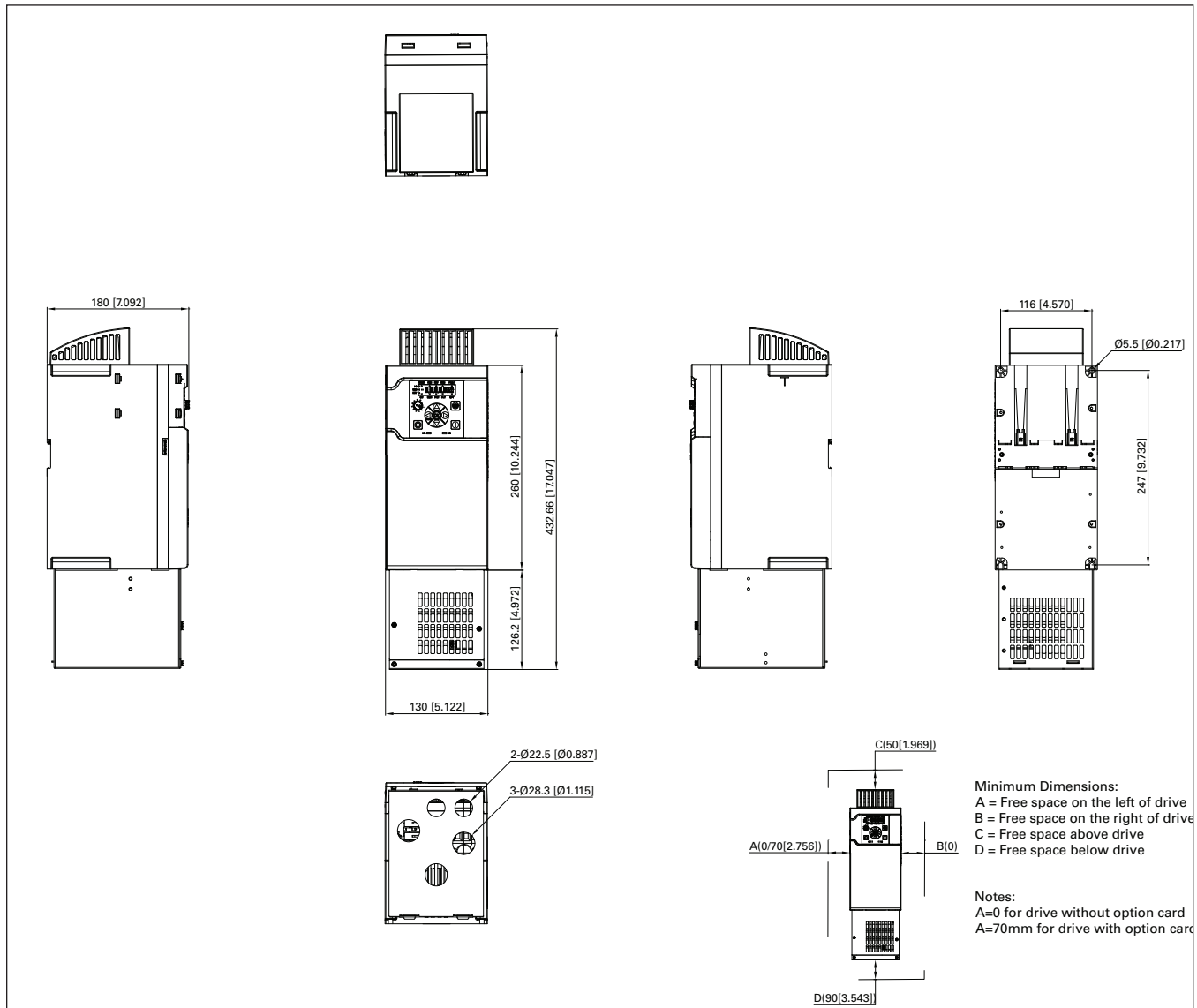
Figure 23. DM1 FR2 with NEMA 1 kit dimension drawing.



Appendix C—Dimension drawings

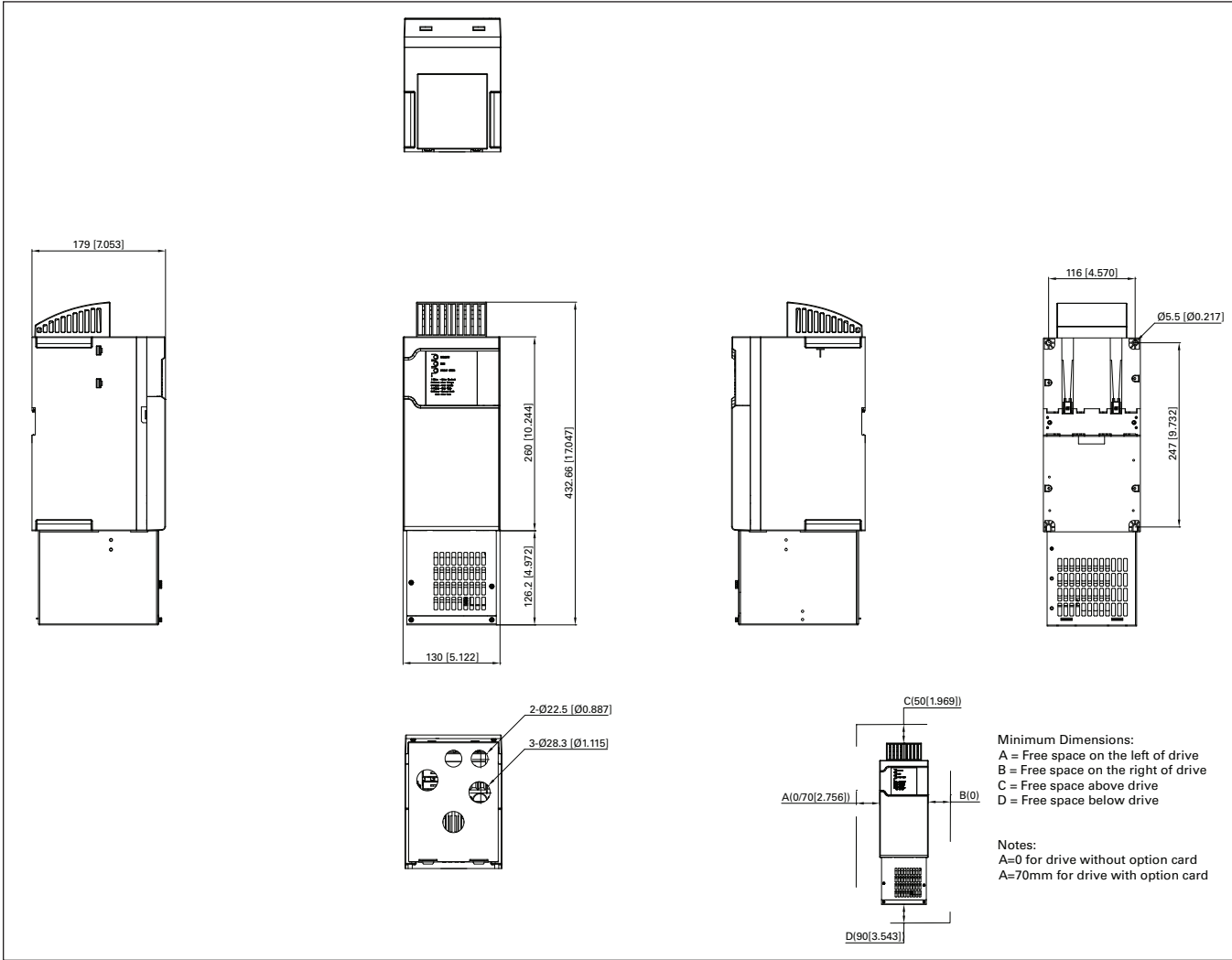
Approximate dimensions in inches (mm).

Figure 24. DM1 Pro FR3 with NEMA 1 kit dimension drawing.



Approximate dimensions in inches (mm).

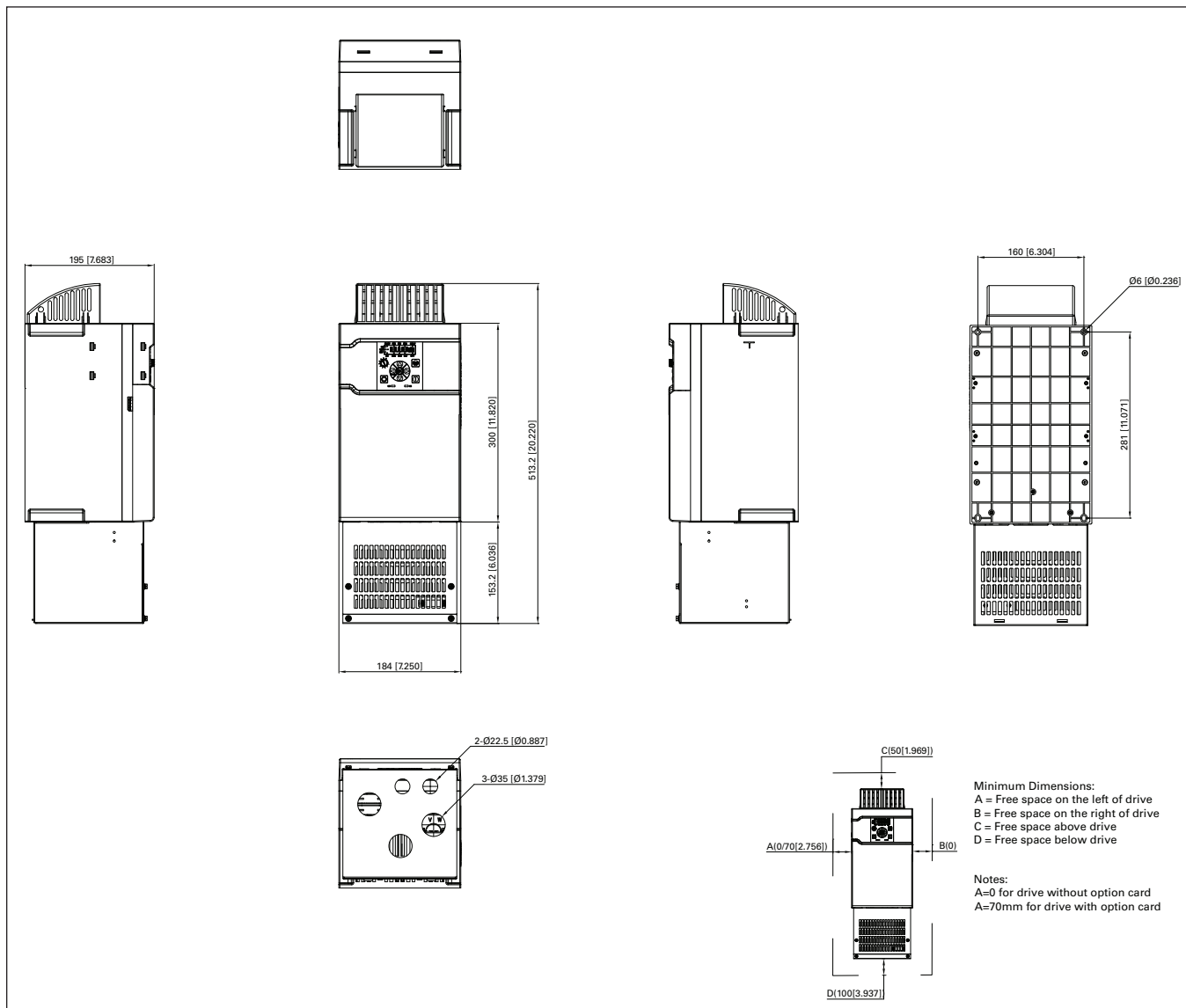
Figure 25. DM1 FR3 with NEMA 1 kit dimension drawing.



Appendix C—Dimension drawings

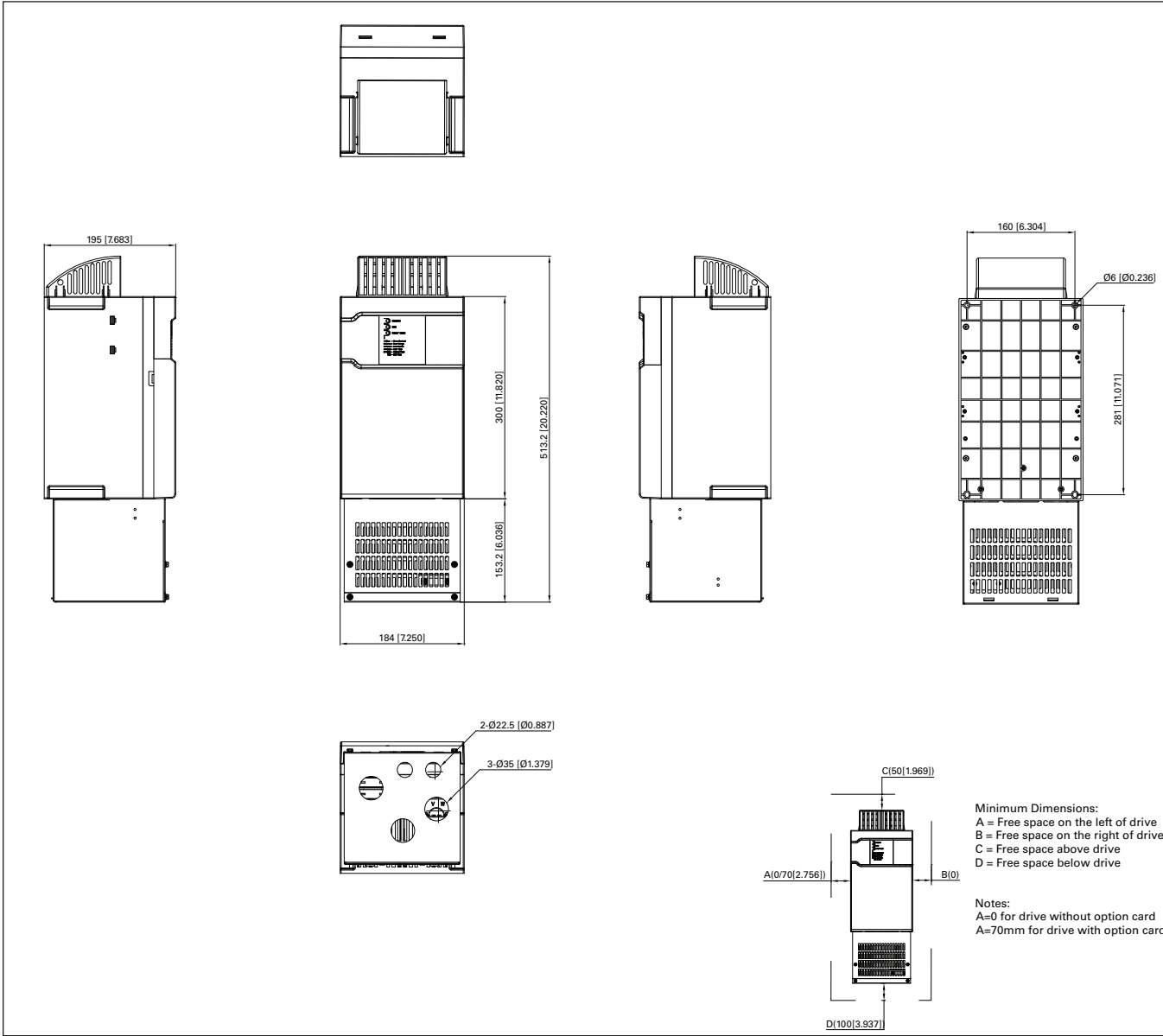
Approximate dimensions in inches (mm).

Figure 26. DM1 Pro FR4 with NEMA 1 kit dimension drawing.



Approximate dimensions in inches (mm).

Figure 27. DM1 FR4 with NEMA 1 kit dimension drawing.



Appendix D—Safety instructions for UL and cUL

CAUTION

The UL and cUL compliance can be maintained only if this drive is installed according to the requirements of Appendix D—Safety Instructions for UL and cUL. Failure to follow these instructions may result in UL and cUL non-compliance.

UL Standards compliance

This drive is tested in accordance with UL61800-5-1 and CSA C22.2 No. 274-17 and is found to comply with these requirements. To ensure continued compliance when using this drive or when using it in combination with other equipment, meet the following conditions.

General

This drive shall be applied in accordance with the specifications detailed in **Appendix A**.

Overvoltage category

To comply with standard CSA C22.2 No. 274-17 requirement, the following applies to cUL applications:

- This drive should be installed in environment of Overvoltage Category III.
- **For single phase 115 V series:** It is recommended that transient surge suppression be installed on the line side of this equipment and be rated 120 V (phase to ground), suitable for Overvoltage Category III, and provide protection for a rated impulse withstand voltage peak of 2.5 kV, or equivalent.
- **For single phase and three phase 230 V series:** It is recommended that transient surge suppression be installed on the line side of this equipment and be rated 240 V (phase to ground), suitable for Overvoltage Category III, and provide protection for a rated impulse withstand voltage peak of 4 kV, or equivalent.
- **For three phase 400 V series:** It is recommended that transient surge suppression be installed on the line side of this equipment and be rated 480 V (phase to ground), suitable for Overvoltage Category III, and provide protection for a rated impulse withstand voltage peak of 6 kV, or equivalent.
- **For three phase 575 V series:** It is recommended that transient surge suppression be installed on the line side of this equipment and be rated 600 V (phase to ground), suitable for Overvoltage Category III, and provide protection for a rated impulse withstand voltage peak of 6 kV, or equivalent.

Motor overload and over-temperature protection

This drive provides solid-state motor overload protection. The solid-state motor overload protection limit is adjustable, see the drives application manual for more details.

Branch circuit short circuit protection

Integral solid-state short circuit protection does not provide branch circuit protection. Branch circuit protection must be provided in accordance with the National Electrical Code and any additional local codes.

Single phase 115 V series drives are suitable for use on a circuit capable of delivering not more than:

- 100 kA, 120 Vac, when protected by any UL listed Class J, T, CF, or CC fuses;
- 100 kA, 120 Vac, when protected by any UL listed inverse-time molded-case circuit breakers;
- 14/10 kA, 120 Vac, when protected by any UL listed miniature molded-case circuit breakers.

Single phase 230 V series drives are suitable for use on a circuit capable of delivering not more than:

- 100 kA, 240 Vac, when protected by any UL listed Class J, T, CF, or CC fuses;
- 100 kA, 240 Vac, when protected by any UL listed inverse-time molded-case circuit breakers;
- 14/10 kA, 240 Vac, when protected by any UL listed miniature molded-case circuit breakers.

Three phase 230 V series drives are suitable for use on a circuit capable of delivering not more than:

- 100 kA, 240 Vac, when protected by any UL listed Class J, T, CF, or CC fuses;
- 100 kA, 240 Vac, when protected by any UL listed inverse-time molded-case circuit breakers (only for open type);
- 65 kA, 240 Vac, when protected by any UL listed Type E combination motor controllers;
- 14/10 kA, 240 Vac, when protected by any UL listed miniature molded-case circuit breakers.

Three phase 400 V series drives are suitable for use on a circuit capable of delivering not more than:

- 100 kA, 480 Vac, when protected by any UL listed Class J, T, CF, or CC fuses;
- 100 kA, 480 Vac, when protected by any UL listed inverse-time molded-case circuit breakers (only for open type);
- 65 kA, 480Y/277 Vac, when protected by any UL listed Type E combination motor controllers;
- 14/10 kA, 480Y/277 Vac, when protected by any UL listed miniature molded-case circuit breakers.

Three phase 575 V series drives are suitable for use on a circuit capable of delivering not more than:

- 100 kA, 600 Vac, when protected by any UL listed Class J, T, CF, or CC fuses;
- 25 kA, 600Y/347 Vac, when protected by any UL listed Type E combination motor controllers.

Refer to **Appendix B** for recommended branch circuit protection devices and ratings.

Field wiring

- The field installed conductors for this drive should be 75°C or higher copper wire.
- The enclosure openings provided for conduit connections in the field shall be closed by UL Listed conduit fittings with same type rating as the enclosure (Type 1).

Table 37. Connection sizes and torques^{①②}.

Input voltage	Frame size	Drive catalog number	Output rating		Size and torque						
			CT/I _H current amps	VT/I _L current amps	Power wire size AWG (mm ²)	Power wire torque in.-lb (N·m)	Ground wire size AWG (mm ²)	Ground wire torque in.-lb (N·m)	Control wire size AWG (mm ²)	Control wire torque in.-lb (N·m) AI/DI	RO
100 Vac to 120 Vac 50/60 Hz 1-phase	FR1	DM1-111D6...	1.6	2.5	14 (2.5)	4.4 (0.5)	10 (2.5)	7.1 (0.8)	28-16 (0.5-1.5)	1.73 (0.2)	4.5 (0.5)
		DM1-113D0...	3	4.8	10 (6)	4.4 (0.5)	8 (6)	7.1 (0.8)	28-16 (0.5-1.5)	1.73 (0.2)	4.5 (0.5)
	FR2	DM1-114D8...	4.8	6.9	8 (10)	10.5 (1.2)	8 (10)	7.1 (0.8)	28-16 (0.5-1.5)	1.73 (0.2)	4.5 (0.5)
		DM1-116D9...	6.9	7.8	8 (10)	10.5 (1.2)	6 (10)	7.1 (0.8)	28-16 (0.5-1.5)	1.73 (0.2)	4.5 (0.5)
200 Vac to 240 Vac 50/60 Hz 1-phase	FR1	DM1-121D6...	1.6	2.5	14 (2.5)	4.4 (0.5)	14 (2.5)	7.1 (0.8)	28-16 (0.5-1.5)	1.73 (0.2)	4.5 (0.5)
		DM1-123D0...	3	4.8	14 (2.5)	4.4 (0.5)	10 (2.5)	7.1 (0.8)	28-16 (0.5-1.5)	1.73 (0.2)	4.5 (0.5)
		DM1-124D8...	4.8	7.8	10 (6)	4.4 (0.5)	8 (6)	7.1 (0.8)	28-16 (0.5-1.5)	1.73 (0.2)	4.5 (0.5)
	FR2	DM1-127D8...	7.8	11	10 (6)	10.5 (1.2)	8 (6)	7.1 (0.8)	28-16 (0.5-1.5)	1.73 (0.2)	4.5 (0.5)
		DM1-12011...	11	17.5	8 (10)	10.5 (1.2)	6 (10)	7.1 (0.8)	28-16 (0.5-1.5)	1.73 (0.2)	4.5 (0.5)
	FR3	DM1-12017...	17.5	25.3	6 (16)	10.5 (1.2)	6 (16)	14.2 (1.6)	28-16 (0.5-1.5)	1.73 (0.2)	4.5 (0.5)
200 Vac to 240 Vac 50/60 Hz 3-phase	FR1	DM1-321D6...	1.6	2.5	14 (2.5)	4.4 (0.5)	14 (2.5)	7.1 (0.8)	28-16 (0.5-1.5)	1.73 (0.2)	4.5 (0.5)
		DM1-323D0...	3	4.8	14 (2.5)	4.4 (0.5)	14 (2.5)	7.1 (0.8)	28-16 (0.5-1.5)	1.73 (0.2)	4.5 (0.5)
		DM1-324D8...	4.8	7.8	14 (2.5)	4.4 (0.5)	12 (2.5)	7.1 (0.8)	28-16 (0.5-1.5)	1.73 (0.2)	4.5 (0.5)
		DM1-327D8...	7.8	11	12 (4)	4.4 (0.5)	10 (4)	7.1 (0.8)	28-16 (0.5-1.5)	1.73 (0.2)	4.5 (0.5)
	FR2	DM1-32011...	11	17.5	10 (6)	10.5 (1.2)	10 (6)	7.1 (0.8)	28-16 (0.5-1.5)	1.73 (0.2)	4.5 (0.5)
		DM1-32017...	17.5	25.3	8 (10)	10.5 (1.2)	10 (10)	7.1 (0.8)	28-16 (0.5-1.5)	1.73 (0.2)	4.5 (0.5)
	FR3	DM1-32025...	25.3	32.2	8 (10)	10.5 (1.2)	8 (10)	14.2 (1.6)	28-16 (0.5-1.5)	1.73 (0.2)	4.5 (0.5)
		FR4	DM1-32032...	32.2	48.3	4 (25)	33 (3.73)	8 (16)	14.2 (1.6)	28-16 (0.5-1.5)	1.73 (0.2)
	DM1-32048...		48.3	62.1	3 (35)	33 (3.73)	6 (16)	14.2 (1.6)	28-16 (0.5-1.5)	1.73 (0.2)	4.5 (0.5)
	380 Vac to 480 Vac 50/60 Hz 3-phase	FR1	DM1-341D5...	1.5	2.2	14 (2.5)	4.4 (0.5)	14 (2.5)	7.1 (0.8)	28-16 (0.5-1.5)	1.73 (0.2)
DM1-342D2...			2.2	4.3	14 (2.5)	4.4 (0.5)	14 (2.5)	7.1 (0.8)	28-16 (0.5-1.5)	1.73 (0.2)	4.5 (0.5)
DM1-344D3...			4.3	5.6	14 (2.5)	4.4 (0.5)	14 (2.5)	7.1 (0.8)	28-16 (0.5-1.5)	1.73 (0.2)	4.5 (0.5)
DM1-345D6...			5.6	7.6	14 (2.5)	4.4 (0.5)	10 (2.5)	7.1 (0.8)	28-16 (0.5-1.5)	1.73 (0.2)	4.5 (0.5)
FR2		DM1-347D6...	7.6	12	12 (4)	10.5 (1.2)	10 (4)	7.1 (0.8)	28-16 (0.5-1.5)	1.73 (0.2)	4.5 (0.5)
		DM1-34012...	12	16	10 (6)	10.5 (1.2)	10 (6)	7.1 (0.8)	28-16 (0.5-1.5)	1.73 (0.2)	4.5 (0.5)
		DM1-34016...	16	23	8 (10)	10.5 (1.2)	10 (10)	7.1 (0.8)	28-16 (0.5-1.5)	1.73 (0.2)	4.5 (0.5)
FR3		DM1-34023...	23	31	8 (10)	10.5 (1.2)	8 (10)	14.2 (1.6)	28-16 (0.5-1.5)	1.73 (0.2)	4.5 (0.5)
FR4		DM1-34031...	31	38	6 (16)	33 (3.73)	8 (16)	14.2 (1.6)	28-16 (0.5-1.5)	1.73 (0.2)	4.5 (0.5)
		DM1-34038...	38	46	4 (25)	33 (3.73)	8 (16)	14.2 (1.6)	28-16 (0.5-1.5)	1.73 (0.2)	4.5 (0.5)
525 Vac to 600 Vac 50/60 Hz 3-phase	FR2	DM1-354D5...	4.5	7.5	14 (2.5)	10.5 (1.2)	10 (2.5)	7.1 (0.8)	28-16 (0.5-1.5)	1.73 (0.2)	4.5 (0.5)
		DM1-357D5...	7.5	10	14 (2.5)	10.5 (1.2)	10 (2.5)	7.1 (0.8)	28-16 (0.5-1.5)	1.73 (0.2)	4.5 (0.5)
		DM1-35010...	10	13.5	10 (6)	10.5 (1.2)	10 (6)	7.1 (0.8)	28-16 (0.5-1.5)	1.73 (0.2)	4.5 (0.5)
	FR3	DM1-35013...	13.5	18	10 (6)	10.5 (1.2)	8 (6)	14.2 (1.6)	28-16 (0.5-1.5)	1.73 (0.2)	4.5 (0.5)
	FR4	DM1-35018...	18	22	8 (10)	33 (3.73)	8 (10)	14.2 (1.6)	28-16 (0.5-1.5)	1.73 (0.2)	4.5 (0.5)
		DM1-35022...	22	27	8 (10)	33 (3.73)	8 (10)	14.2 (1.6)	28-16 (0.5-1.5)	1.73 (0.2)	4.5 (0.5)

Notes:

- ① Line and motor cable size is selected according to UL 61800-5-1 for copper conductor rated 75°C. Use only with copper wire rated 75°C here. Size requirements for other different wire types are defined in the National Electrical Code®, ANSI/NFPA® 70.
- ② Earthing conductor size is determined by the maximum overcurrent device rating used ahead of the drive according to UL 61800-5-1.
- ③ If power cubes or bypass are used, a UL listed Class J, T, CF, CC or equivalent fuse is recommended.

Appendix E—STO function

Description of safety function

Safety function and safe state

The safe torque off (STO) function of DM1 series AC drive is implemented only by hardware and no software is involved to perform the STO function.

The STO function is available for operator to turn off the motor torque. It is intended to be used in the safety related applications up to SIL 2 / SIL CL 2 acc. to EN 61800-5-2, EN 61508 and EN 62061, and up to Cat. 3 / PL d acc. to EN ISO 13849-1.

Safety function

The power that can cause rotation (or motion in the case of a linear motor) shall be switched off from the motor when demanded.

Safe state

The safe state is when the power supply of the motor is switched off.

System response time

The time from when the operator presses the emergency stop button to when the motor power supply switch is turned off is ≤ 1 ms.

STO input signal requirement

The two STO inputs can not be exactly synchronized, STO fault will not be triggered if the two STO inputs become consistent within 200 ms.

Table 38. Safety-related parameters.

Operation mode	DM1 three phase 480/230 V FR1-4	DM1 single phase 230/115 V FR1-3	DM1 three phase 575 V FR2-4
Operation mode	High demand	High demand	High demand
Safety integrity level	SIL 2 / SIL CL 2	SIL 2 / SIL CL 2	SIL 2 / SIL CL 2
Systematic capability	SC2	SC2	SC2
Safety architecture	1oo1 and 1oo2 mixed	1oo1 and 1oo2 mixed	1oo1 and 1oo2 mixed
Category	3	3	3
Performance level	d	d	d
System type	B	B	B
HFT	1oo1 part	0	0
	1oo2 part	1	1
SFF of each element	1oo1 part	> 99%	> 99%
	1oo2 part	> 60%	> 60%
PFH	7.66E-10	7.66E-10	7.66E-10
PFD	6.42E-05	6.42E-05	6.42E-05
MTTFd	1041 years (high)	1070 years (high)	1086 years (high)
Proof Test Interval (PTI)	20 years	20 years	20 years
MRT	0 hour	0 hour	0 hour
MTTR	0 hour	0 hour	0 hour
λ (total failures)	727.23 FIT	710.26 FIT	748.75 FIT
λ_S (safe failures)	564.8 FIT	547.84 FIT	586.33 FIT
λ_{DD} (dangerous detected failures)	114.20 FIT	114.20 FIT	114.20 FIT
λ_{DU} (dangerous undetected failures)	48.22 FIT	48.22 FIT	48.22 FIT

Note: 1 FIT = 10^{-9} /h.

All the previously mentioned safety-related parameters are calculated based on the assumptions:

- Failure rate of each component is based on the Siemens SN29500 database;
- Component failure rates are constant over the life of the device;
- Operating at a maximum ambient temperature of 60°C;
- The equal distribution is used for the failure modes ratio of each component.

INFORMATION

The parameters mentioned above are calculated by Eaton without considering failure rates of external devices e.g. buttons, power supply, etc.

WARNING

The STO function shall be triggered at least once a year.

Safety architecture and reliability block diagram

Figure 28. Functional block diagram.

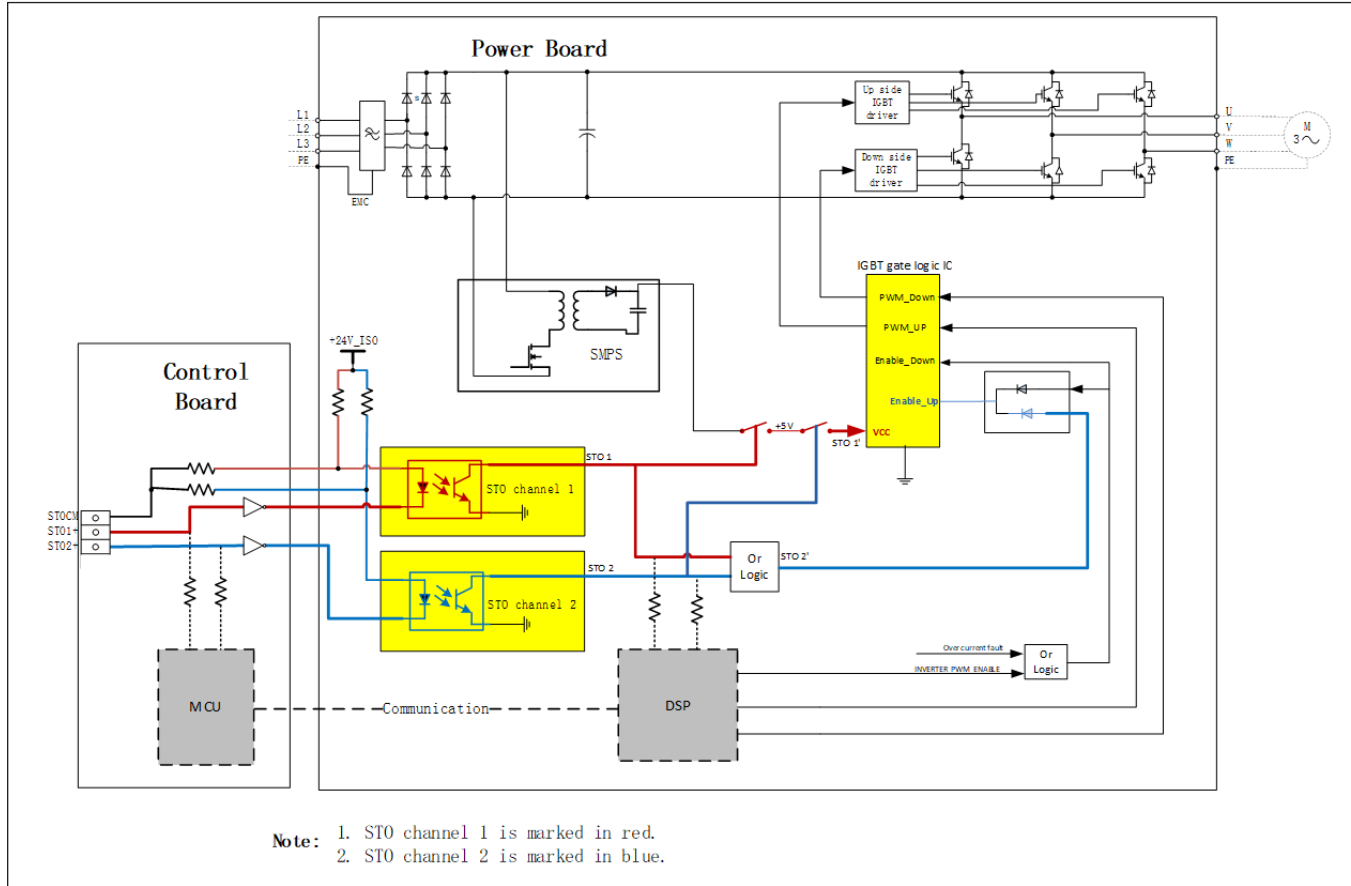
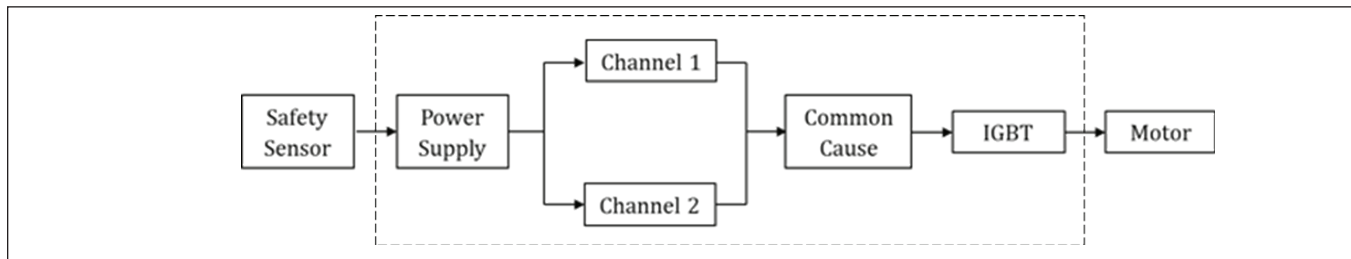


Figure 29. Reliability block diagram.



Switching mode power supply and STO input

Switching mode power supply input voltage	Single phase 115 V series: 150-450 Vdc
	Single phase 230 V series: 150-450 Vdc
	Three phase 230 V series: 150-450 Vdc
	Three phase 480 V series: 300-880 Vdc
	Three phase 575 V series: 500-1000 Vdc

STO activation	STO1/STO2: 0-1.5 Vdc
STO deactivation	STO1/STO2: 16-28 Vdc

Environmental and EMC conditions

Environmental

Mains supply system	TN, TT and IT systems (including corner-earthed system)
Overvoltage	Overvoltage category III
Pollution degree	Pollution degree 2
Ambient operating temperature	-10°C to +40°C rated VT (variable torque) (110% OL for 1 min per 10 mins) -10°C to +50°C rated CT (constant torque) (150% OL for 1 min per 10 mins) Up to +60°C with derating Cold weather function can be enabled to extend the lower range to -20°C
Storage temperature	-40 °F (-40 °C) to 158 °F (70 °C)
Relative humidity	0 to 95% RH, non-condensing, non-corrosive, no directly dripping
Altitude	100% load capacity (no derating) up to 1,000m; 1% derating for each 100m up to 2,000m (UL listing); up to 4,000m (without UL listing)
Vibration IEC 60068-2-6	Power supply connected (no package) Keyhole mounting and DIN rail mounting Sinusoidal motion 10 Hz ≤ f ≤ 57 Hz: 0.075 mm amplitude 57 Hz > f ≤ 150 Hz: 1g 1oct/min, 10 sweep cycles per axis on each of 3 mutually perpendicular axes
Shock IEC 60068-2-27	Power supply connected (no package) Keyhole mounting and DIN Rail mounting Half sine pulse motion Peak acceleration 15g with duration 11ms Total 18 shocks for 3 mutually perpendicular axes and 6 directions
Enclosure class	IP20 standard in entire kW/hp range NEMA 1 / UL Type 1 with accessory kit

EMC

EMC	EN IEC 61800-3, 2nd environment EN 61800-5-2, EN 61326-3-1
-----	---

INFORMATION

External filter shall be used for non-EMI version drives to keep CE EMC compliance. Refer to installation manual for detailed information of external filter. If an external filter type other than recommended in the manual is used, the CE EMC compliance shall be reconfirmed first. Please contact the factory or your local Eaton sales representative if necessary.

Applicable standards

EN 61800-5-2:2017

Adjustable speed electrical power drive systems
Part 5-2: Safety requirements – Functional

EN 61800-5-1: 2007+A1:2017

Adjustable speed electrical power drive systems
Part 5-1: Safety requirements – Electrical, thermal and energy

EN IEC 61800-3:2018

Adjustable speed electrical power drive systems
Part 3: EMC requirements and specific test methods

EN ISO 13849-1:2015

Safety of Machinery – Safety Related Parts of Control Systems
Part 1: General principles for design

EN 61508, Part 1-7:2010

Functional safety of electrical/electronic/programmable electronic safety-related systems

EN 62061:2005+AC:2010+A1:2013+A2:2015

Safety of machinery – Functional safety of safety-related electrical, electronic and programmable electronic control systems

EN 60204-1:2018

Safety of machinery - Electrical equipment of machines
Part1: General requirements

EN 61326-3-1:2017

Electrical equipment for measurement, control and laboratory use - EMC requirements - Part 3-1: Immunity requirements for safety-related systems and for equipment intended to perform safety-related functions (functional safety) - General industrial applications

Requirement for installation, commission, maintenance

A three-pin terminal block in control board (STO in **Figure 30**) is used for customer to connect emergency stop switch.

When finished the installation, the STO function shall be verified. Refer to **Figure 31** for the detailed wiring method. The emergency stop switch for STO shall be closed state normally.

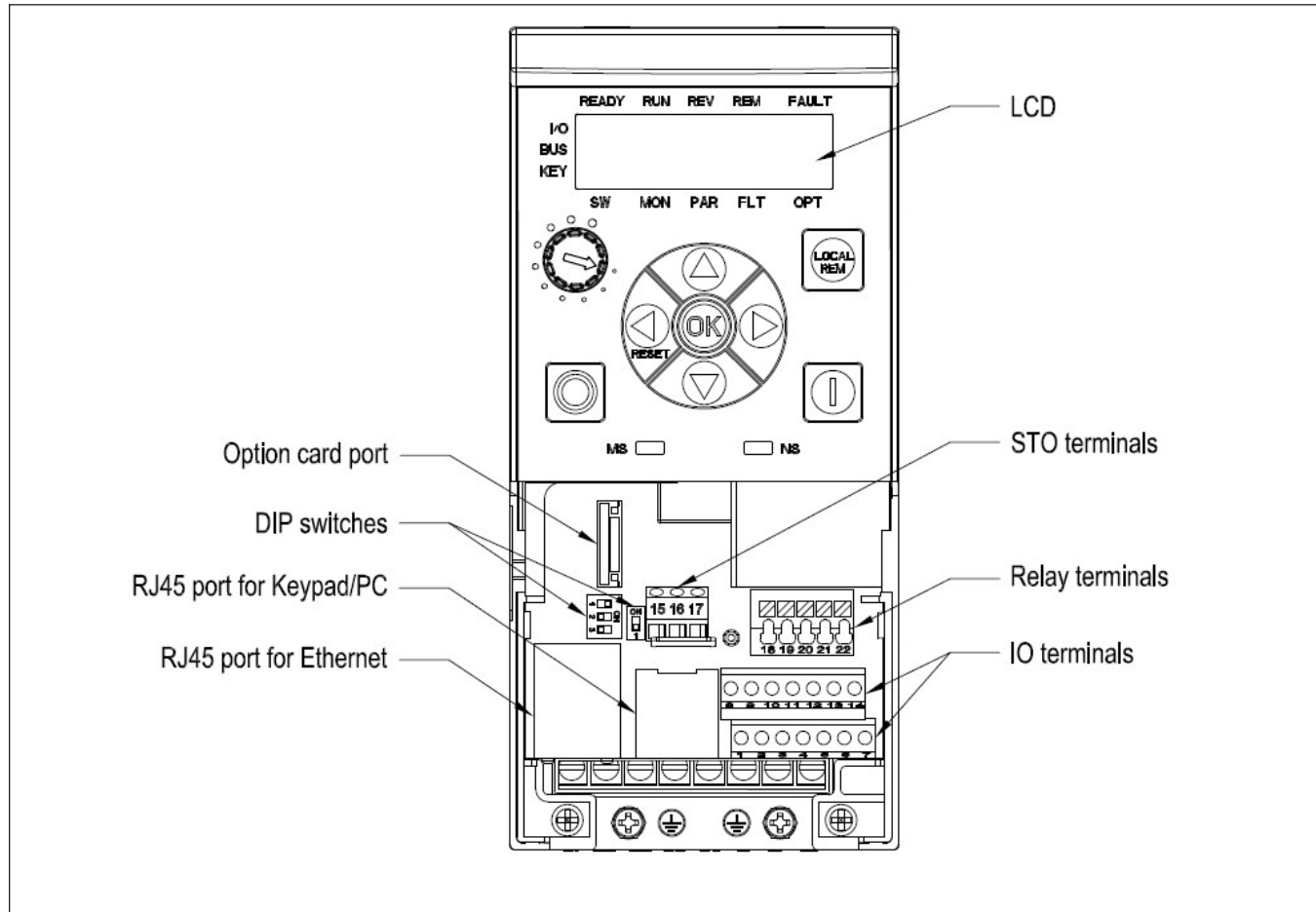
The STO function shall be verified according to following steps:

- Apply main power to DM1.
- Run the motor and wait until the motor operating stably.
- Open the switch of STO1 or STO2, both "STO Fault" and "Safety Torque Off" shall be triggered and the motor shut down. Fault codes are FC 23 and FC 66.
- Closed STO1 and STO2 switches.
- Restart motor and wait until the motor operating stably.
- Open the switches of STO1 and STO2 at the same time, only "Safety Torque Off" shall be triggered and the motor shut down. Fault code is FC 66.
- Closed STO1 and STO2 switches. Test finished.

Notes:

- STO fault indicates two different fault types. One is the drive internal circuit fault and the other is the case that two STO input signals are not consistent within 200 ms.
- If the customer needs more detailed information or the test result is mismatched, please contact the factory or your local Eaton sales representative.

Figure 30. STO terminal block in DM1 control board.



The STO terminal block shall be short circuited by jumper if user does not need STO function.

If the function is used by customer, the STO terminal block shall be connected to emergency stop switch.

The STO function needs to be always on, which means the idle-current principle shall be followed by the end user.

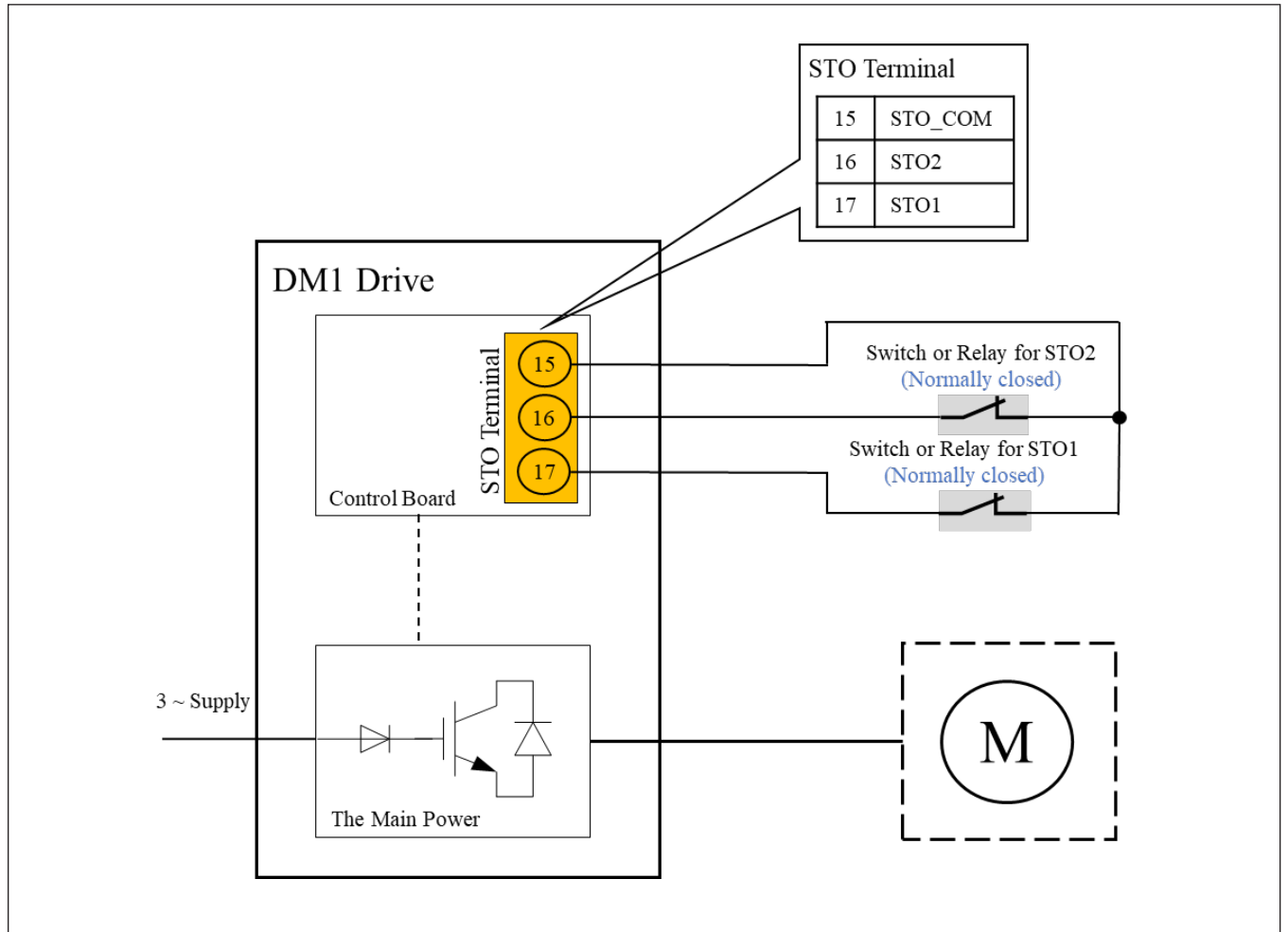
Fault exclusion measures against short circuit fault between STO1/STO2 and power supply 24 VDC must be implemented at application level, according to applicable requirement/standards e.g. ISO 13849-2:2012.

For the requirements of fault exclusion measures against short circuits between two adjacent tracks/pads of internal PCB according to ISO 13849-2:2012, some measures shall be implemented at application level, i.e.: this device shall be installed in a cabinet with at least IP 54.

WARNING

- Any circuit connected to the STO terminal block shall be SELV or PELV circuit.
- STO1 and STO2 shall be both connected with the independent output of the safety elements.
- The STO terminal block is a fixed connection and cannot be disconnected without a tool. Installation manual defines the control wiring stripping length to ensure no bare conductor exposed after wiring.
- The safety function STO is not equivalent to the safety function “safe off” of IEC 60204-1:2016, since it does not provide any galvanic insulation. This means that the motor terminals can still have dangerous voltage when in STO state.

Figure 31. Thermistor STO dry contact wiring diagram.



Requirements of proof test

This device shall be subjected to a proof test at least once every 20 years. Please contact the factory or your local Eaton sales representative.

Appendix F—Certification of Compliance Information

UL/cUL Certificate of Compliance

In accordance with: UL and cUL

Certificate Number: E134360

Based on compliance with standards:

UL 61800-5-1, Ed.1, 2018

CSA C22.2 No. 274-17, Ed.2, 2017

CE Declaration of Conformity

In accordance with:

2014/35/EU Low Voltage Directive (LVD)

2014/30/EU EMC Directive (EMC)

2011/65/EU RoHS Directive (RoHS)

2009/125/EC Eco-design Directive (Eco-design)

2014/53/EU Radio Emission Directive (RED, for Bluetooth)

2006/42/EC Machinery Directive (MD, for DM1 Pro)

UKCA Declaration of Conformity

In accordance with:

2016 No.1101 Electrical Equipment (Safety) Regulations 2016

2016 No.1091 Electromagnetic Compatibility Regulations 2016

2012 No.3032 Restriction of the Use of Certain Hazardous Substances in Electrical and Electronic Equipment Regulations 2012

2021 No.745 Eco-design for Energy-Related Products and Energy Information Regulations 2021

2017 No.1206 Radio Equipment Regulations 2017 (for Bluetooth)

Both based on compliance with standards:

EN 61800-5-1:2007+A1:2017

EN IEC 61800-3:2018

EN IEC 63000:2018

EN 61800-9-2:2017

EN 62479:2010

ETSI EN 301 489-1 V2.2.3

ETSI EN 301 489-17 V3.2.2

ETSI EN 300 328 V2.1.1

EN 60204-1:2018

EN 61800-5-2:2017

EN ISO 13849-1:2015

EN 61508, Part 1-7:2010

EN 62061:2005+AC:2010+A1:2013+A2:2015

EN 61326-3-1:2017

Eco-design Information

IE2 acc. to EN 61800-9-2

(90;100) losses are marked on rating labels.

Other details can be found at:

<http://eaton.com/EcoDesign-VFD> or as in below:



Eaton.com/EcoDesign-VFD
MZ040046EN

Manufacturer and Importer Information

Manufacturer:

Eaton Corporation
W126N7250 Flint Drive,
Menomonee Falls
WI 53051, USA.

Importer to EU:

Eaton Industries GmbH
Hein-Moeller-Straße 7-11
53115 Bonn, Germany

Importer to UK:

Eaton Electric Ltd, PO Box 554
Abbey Park, Southampton Road
Titchfield, PO14 4QA,
United Kingdom

Web addresses and contact information

Eaton.com/eatoncare (+1 877-386-2273)

Eaton.com/contacts

Eaton.com/aftersales

Eaton.com/documentation



Eaton.com/recycling

Notes:



Eaton
1000 Eaton Boulevard
Cleveland, OH 44122
United States
Eaton.com

© 2022 Eaton
All Rights Reserved
Printed in USA
Publication No.MN040060EN / TBG001536
January 2022

Eaton is a registered trademark.

All trademarks are property
of their respective owners.